

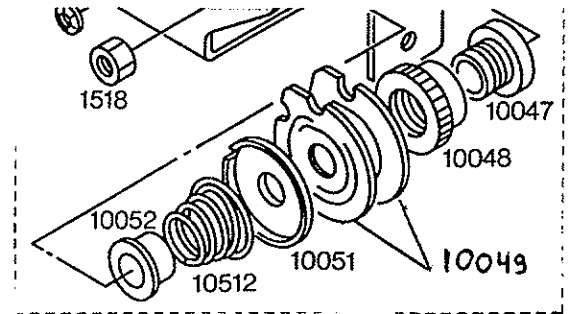
PIÈCES DE RECHANGE
ERSATZTEILE
SPARE PARTS
PIEZAS DE RECAMBIO

elna PRO 904 DCX PRO 906 DCX

MODIFICATIONS OF SPARE PARTS CATALOGUE 396 900-20

PRO 904/905 DCX

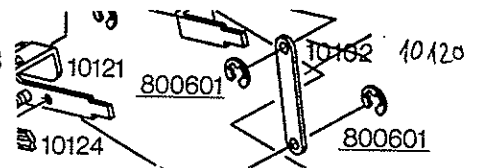
Page 4 : The No. for
10049 396'014-94 Dial tension
concerns both discs (left & right)



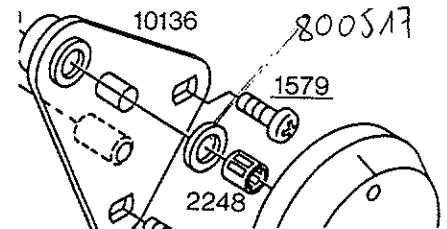
Page 8 : The correct TAV. No. for
10073 is 396'001-75 and not 396'001-73

The correct TAV. No. for
10457 is 396'017-04 and not 396'014-04

Page 10 : 10102 396'015-75 Feed bar is correct
10120 396'015-88 S.L. Lever conn. rod is
correct and not 10102 as
mentioned on drawing page



Page 12 : 800517 395'048-46 Washer STW-FT 6x1 is
missing on drawing page



Page 13 : The correct No. for 4908 Needle assortment
is 396'001-51 and not 396 001-52

The correct No. for
10478 is 396'001-63 and not 396'161-52

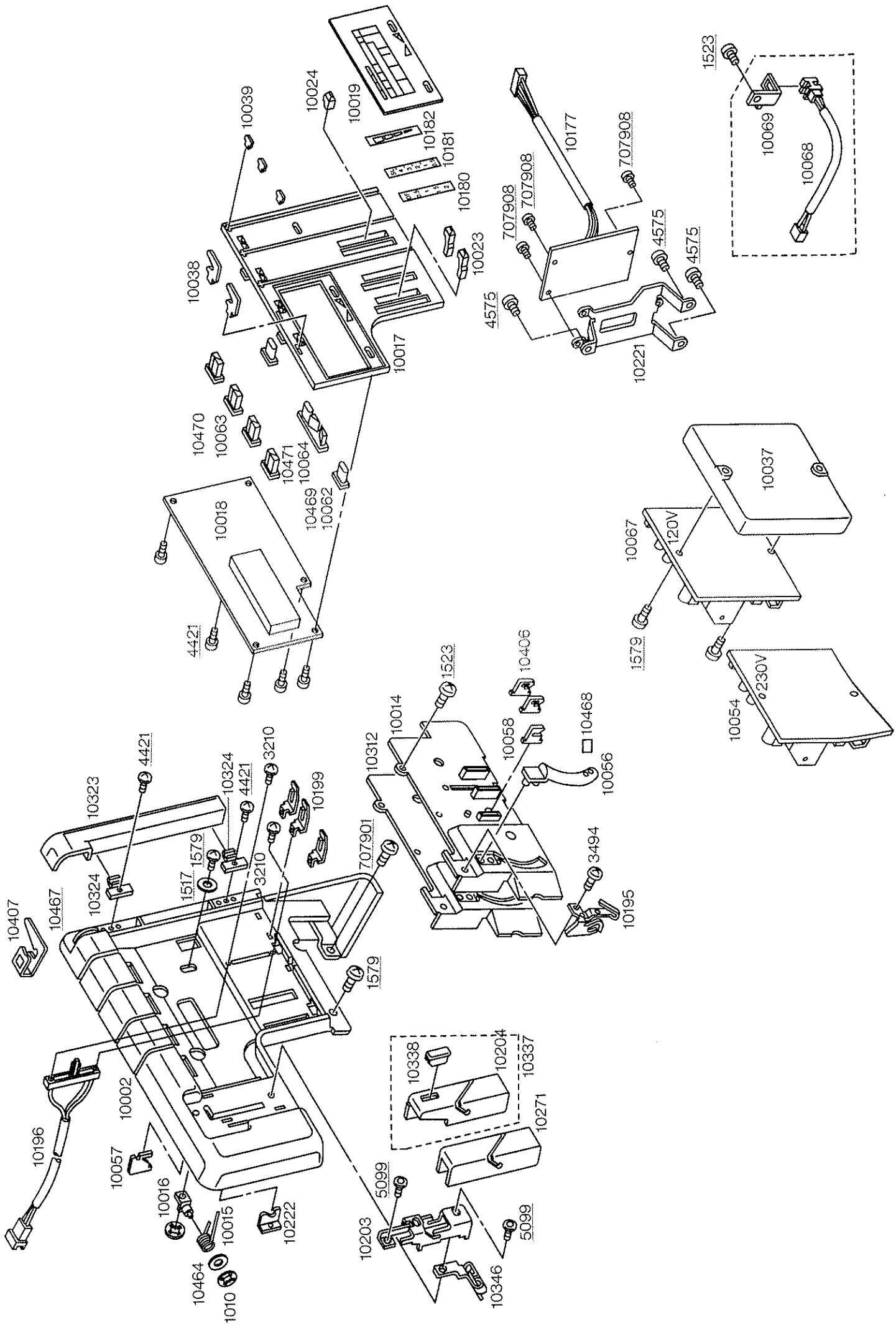
Page 14 : The correct No. for 10482 Needle plate for pearl
foot 904 is 396'013-51 and not 396'015-51

The correct No. for 10483 Needle plate for pearl
foot 905 is 396'013-52 and not 396'015-52

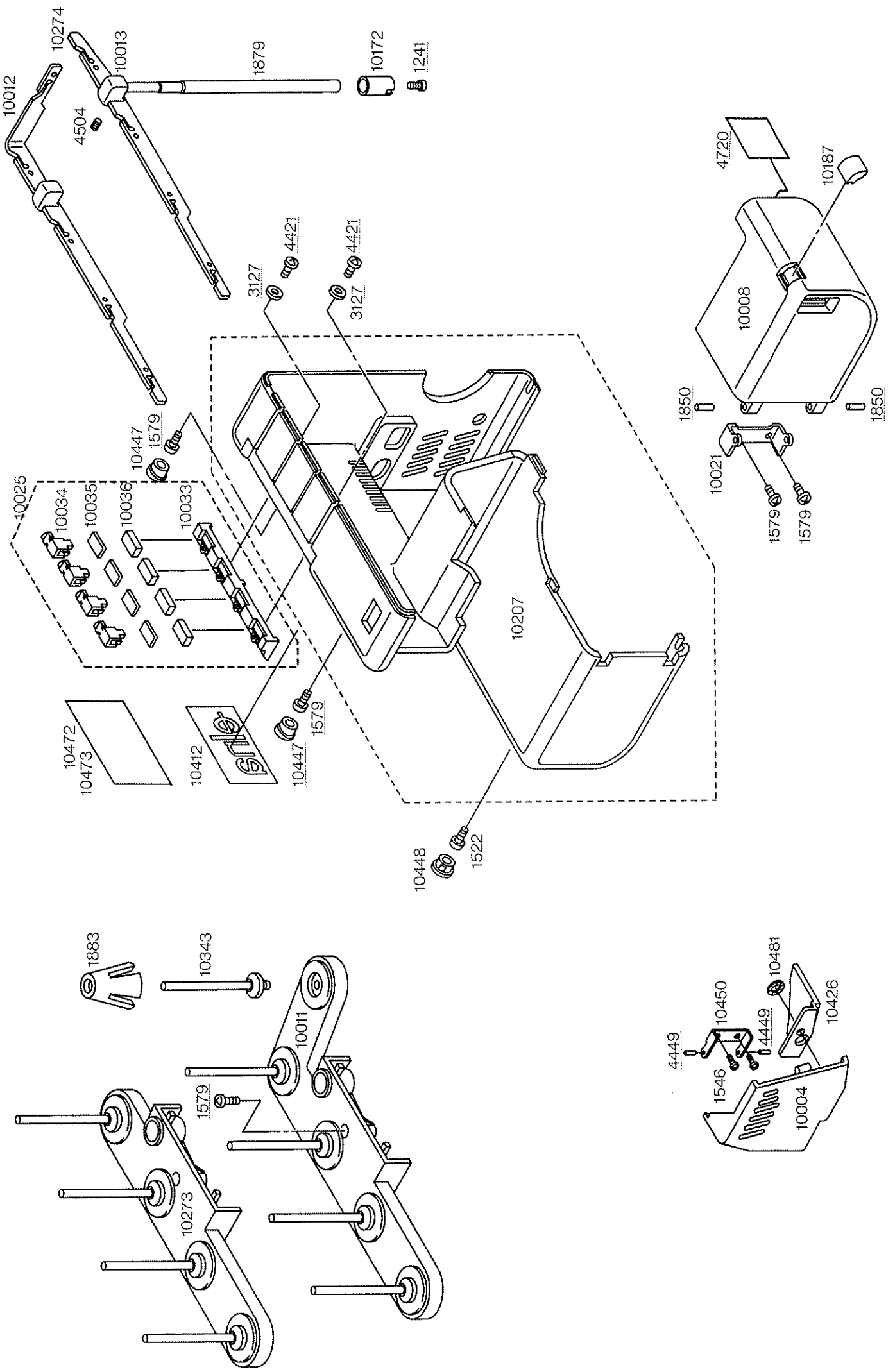
The correct No. for Carrying bag is 396'013-62
and not Pro 4/5 396'000-00

INDEX

1. Front / face covers, main circuit, LCD display (PCB)
2. Back / side covers, spool stand and antenna
3. Front flap, base, transformer
4. Step motor, tension unit and PCB
5. Safety-device system and accessory stand
6. Motors, foot control, cords, bulb, Jack-connection
7. Casing
8. Needle bar, presser bar instant rolled hem device, thread tak-up lever, needle plates
9. Lower looper, parts on the lower looper axle, lower looper release mechanism, upper looper, chain looper, parts on the chain axle, looper thread take-ups
10. Feed-dogs and mechanical feeding-system
11. Flywheel, counterweight balances, motor belt, lower shaft, eccentrics, rods, collars, ball-connecting rods
12. Moving-fixed cutters mechanism
13. Standard accessories
14. Optional attachments and accessories
15. Parts number index

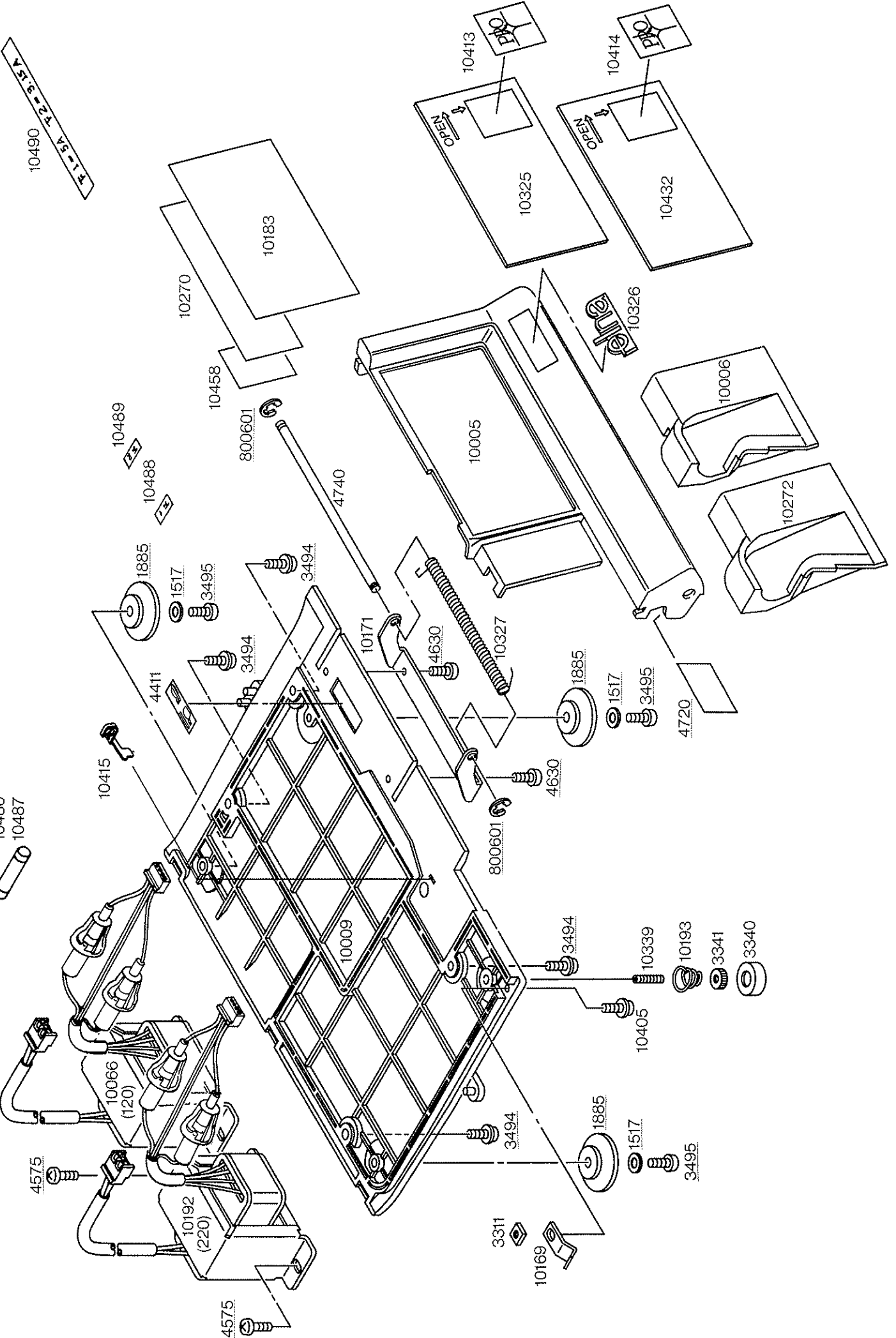


PART NO.	TAVARO NO.	NAME OF PART	PART NO.	TAVARO NO.	NAME OF PART	PART NO.	TAVARO NO.	NAME OF PART
1010	396012-66	M4 clip ring	10221	396016-59	PCB support, IC card			
1517	395052-14	Washer 9x4x0.8	10222	396016-60	Needle thread guide			
1523	395052-18	Screw M4x8	10271	396016-61	Take-up lever noise cover, 904			
1579	395052-57	Screw M4x10	10312	396016-62	Inside cover, 904			
3300	396006-05	Screw M2x4B	10323	396016-63	Pro-card door			
3494	396007-80	Screw TPM4x12	10324	396016-64	Pro-card hinge			
4421	396011-39	Tapping screw M3x8.5	10337	396016-65	Take-up lever noise cover,assem.,905			
4575	396011-84	Tapping screw M4x8 S	10338	396016-66	Check spring cover			
5099	396013-01	M4x12 Cap screw	10346	396016-67	Needle thread guide			
10002	396016-31	Front panel	10406	396016-69	CS thread guide			
10014	396016-32	Inside cover, 905	10407	396016-70	CS top thread guide			
10015	396016-33	Check spring, 905	10464	396016-71	STW 7.5 P3x1 Washer			
10016	396016-34	Check spring stud, 905	10467	396015-36	CS dial tension indication sticker			
10017	396016-35	LCD base plate	10468	396016-78	CS thread guide mark sticker			
10018	396016-36	LCD display PCB	10469	396016-72	LCD function key,release/card,grey			
10019	396016-37	Display window	10470	396016-73	LCD function key,tension +/-,grey			
10023	396016-38	Feed control knob	10471	396016-74	LCD function key,program,grey			
10024	396016-39	Speed reducer knob	707901	395430-00	Screw TPM 4x8			
10037	396016-40	PCB insulation case	707908	395049-39	Screw M3x5			
10038	396016-41	Upper thread guide						
10039	396016-42	Top thread guide						
10054	396016-43	Main PCB, 230V						
10056	396016-44	Upper looper take-up lever cover						
10057	396016-45	CS thread base guide						
10058	396016-46	Thread guide, for yellow & green						
10062	396016-77	LCD function key, release/card,white						
10063	396016-75	LCD function key, tension +/-,white						
10064	396016-76	LCD function key, program,white						
10067	396016-47	Main PCB, 120V						
10068	396016-48	Needle position sensor						
10069	396016-49	NP bracket						
10177	396016-50	PCB for IC card						
10180	396016-51	D.F. guide mark						
10181	396016-52	S.L. guide mark						
10182	396016-53	Speed reducer mark						
10195	396016-54	Thread guide						
10196	396016-55	Speed reducer						
10199	396016-56	Thread guide						
10203	396016-57	Take-up lever inside cover bracket						
10204	396016-58	Take-up lever cover noise/cap (905)						

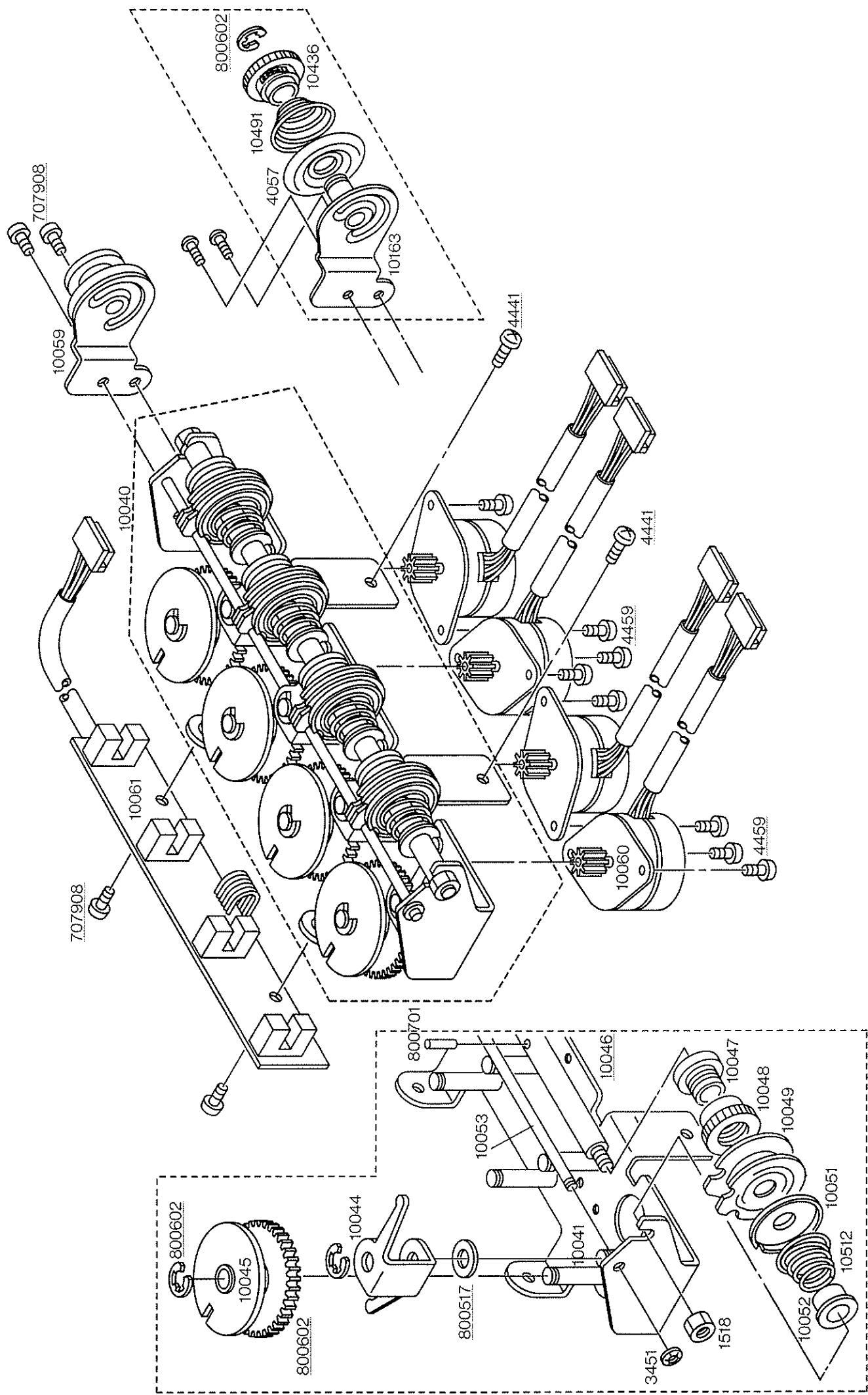


PART NO.	TAVARO NO.	NAME OF PART	PART NO.	TAVARO NO.	NAME OF PART	PART NO.	TAVARO NO.	NAME OF PART
1241	395049-19	Screw -- TPM4x10						
1522	395052-17	Screw M4x14						
1546	395052-37	Screw M4x6						
1579	395052-57	Screw M4x10						
1850	396003-16	Roll pin 3x12						
1879	396015-44	Thread guide pole/antenna						
1883	396002-10	Spool holder						
3127	396007-98	Washer 3x8x0.5						
4421	396011-39	Tapping screw M3x8.5						
4449	396011-49	Parallel pin 3x10						
4504	396011-57	Grub screw M3x8						
4720	396012-31	Face cover caution label (UL/CSA)						
10004	396015-45	Lamp cover						
10008	396015-46	Left front cover						
10011	396015-47	Spool stand, 905						
10012	396015-48	Thread guide beam, 905						
10013	396015-49	Pole/beam joint						
10021	396015-50	Left front cover hinge						
10025	396015-51	Top thread guide set						
10033	396015-52	Top thread guide base						
10034	396015-53	Top thread guide plate, upper						
10035	396015-54	Top thread guide bottom						
10036	396015-55	Top thread guide cushion						
10172	396015-56	Antenna support rod						
10187	396015-57	Cutting width dial window						
10207	396015-58	Back cover						
10273	396015-59	Spool stand, 904						
10274	396015-60	Thread guide beam, 904						
10343	396015-61	Spool pin, snap-on						
10412	396015-62	elna mark for back cover						
10426	396015-63	Protection lamp cover						
10447	396015-64	Screw holl cap M8						
10448	396015-65	Screw holl cap M9						
10450	396015-66	Lamp cover hinge						
10472	396015-68	Serial number plate, 120V						
10473	396015-69	Serial number plate, 230V						
10481	396015-67	Clip washer						

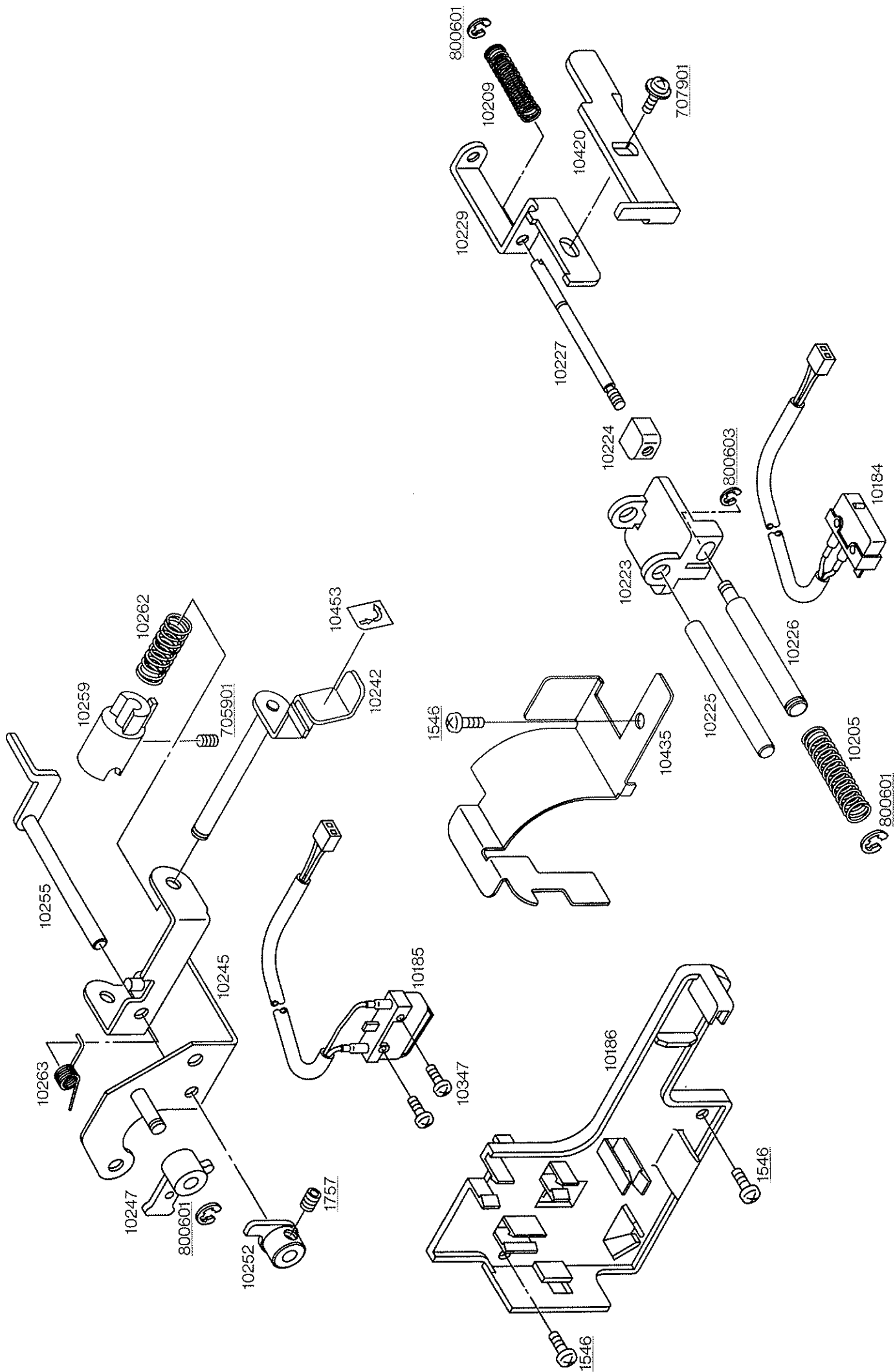
10404
10485
10486
10487



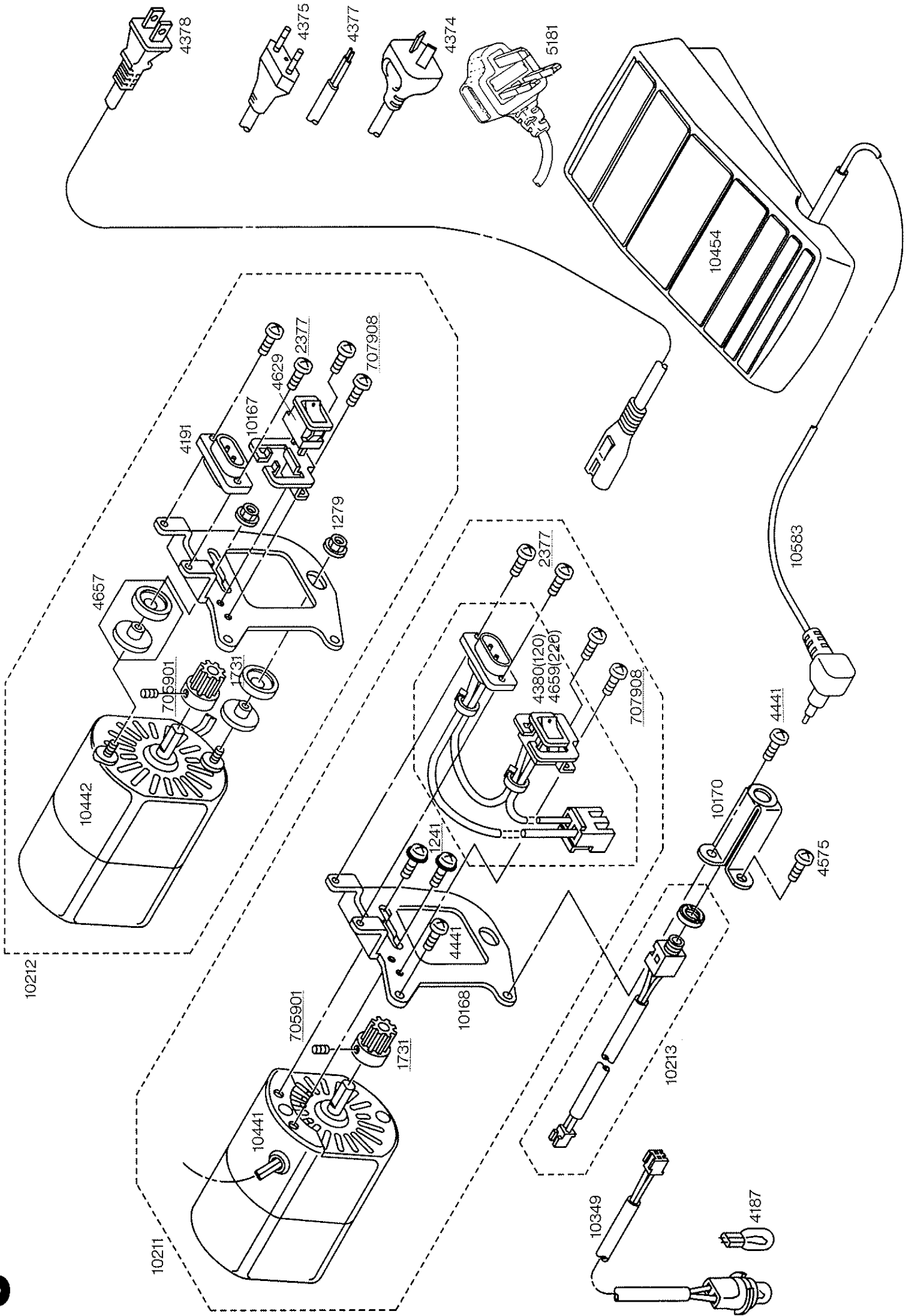
PART NO. TAVARO NO.		NAME OF PART	PART NO. TAVARO NO.	NAME OF PART	PART NO. TAVARO NO.	NAME OF PART
1517	395052-14	Washer 9x4x0.8	800601	Snap ring #3		
1885	396003-40	Rubber foot	395464-00			
3311	396007-42	Spring stopper plate				
3340	396006-29	Adjustable foot (solid rubber)				
3341	396006-30	Foot holder nut				
3494	396007-80	Screw TPM4x12				
3495	396007-81	Tapping screw M3x12				
4411	396011-31	Release lever mark				
4575	396011-84	Tapping screw M4x8 S				
4630	396012-17	Tapping screw M4x10 PC				
4720	396012-31	Face cover caution label (UL/CSA)				
4740	396012-84	Front flap hinge axle				
10005	396015-15	Front flap				
10006	396015-16	Overlock sewing table, 904				
10009	396015-17	Base cover				
10066	396015-18	TR set, 120V				
10169	396015-19	Spring stopper plate				
10171	396015-20	Front flap hinge				
10183	396015-21	Threading chart, 905				
10192	396015-22	TR set, 230V				
10193	396015-23	Adj., foot spring				
10270	396015-24	Threading chart, 904				
10272	396015-25	Overlock sewing table, 904				
10325	396015-26	Front flap panel, 905				
10326	396015-27	elna brand name plate				
10327	396015-28	Front flap hinge axle spring				
10339	396015-29	Grub screw M4x16				
10405	396015-30	TP screw M3x10				
10413	396015-31	PRO design name 905				
10414	396015-32	PRO design name 904				
10415	396015-33	CS thread guide				
10432	396015-34	Front flap panel, 904				
10458	396015-35	CS threading chart				
10484	396015-37	Fuse 5A, 120V				
10485	396015-38	Fuse 3.15A, 120V				
10486	396015-39	Fuse 5A, 220/240V				
10487	396015-40	Fuse 3.15A, 220/240V				
10488	396015-41	F1 mark				
10489	396015-42	F2 mark				
10490	396015-43	F1, F2 mark				



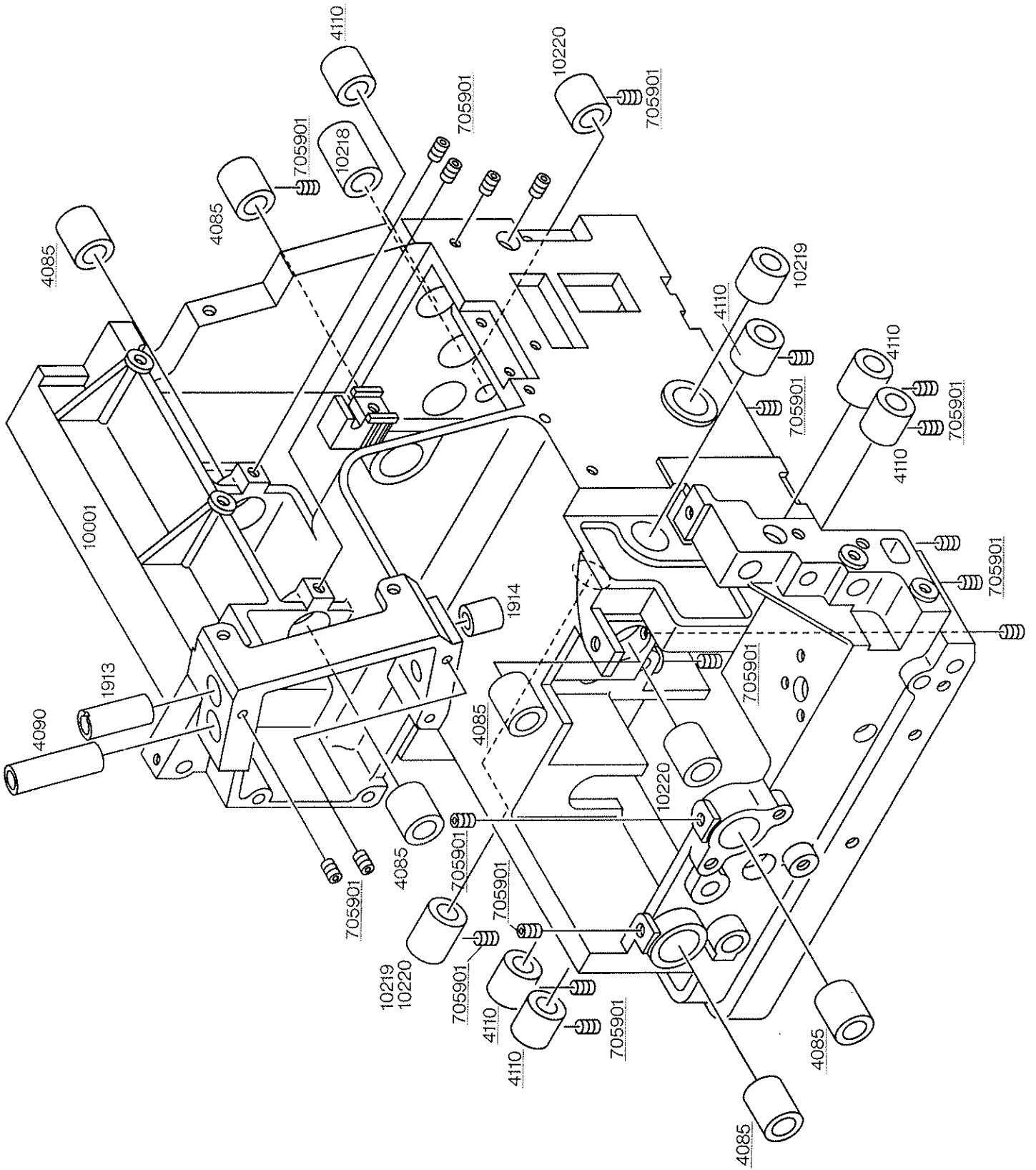
PART NO.	TAVARO NO.	NAME OF PART	PART NO.	TAVARO NO.	NAME OF PART	PART NO.	TAVARO NO.	NAME OF PART
1518	395052-15	Nut M4						
3451	396014-86	#3 CS Nut						
4057	396009-46	Tension disc - right						
4441	396011-48	Tapping screw M4x10S						
4459	396014-52	Screw M3x3						
10040	396015-03	Dial tension comp. set						
10041	396014-88	Tension unit support						
10044	396014-89	Tension cam lever						
10045	396014-90	Dial tension cam						
10046	396014-91	Tension shaft						
10047	396014-92	Tension screw						
10048	396014-93	Fine tuning dial						
10049	396014-94	Dial tension disc						
10051	396014-95	Tension spring plate						
10052	396014-96	Tension spring slider						
10053	396014-97	DT support axle						
10059	396014-98	Chain stitch dial tension, assem.						
10060	396014-99	Step motor						
10061	396015-04	PCB for dial tension						
10163	396015-00	Chain stitch tension base						
10436	396015-01	CS dial						
10491	396015-02	CS tension spring						
10512	396014-87	Tension spring ϕ 1.0-long						
707908	395049-39	Screw M3x5						
800517	395048-46	Washer STW-FT 6X1						
800602	395465-00	Snap ring #4						
800701	396012-27	Roll pin 2x10 SUS						



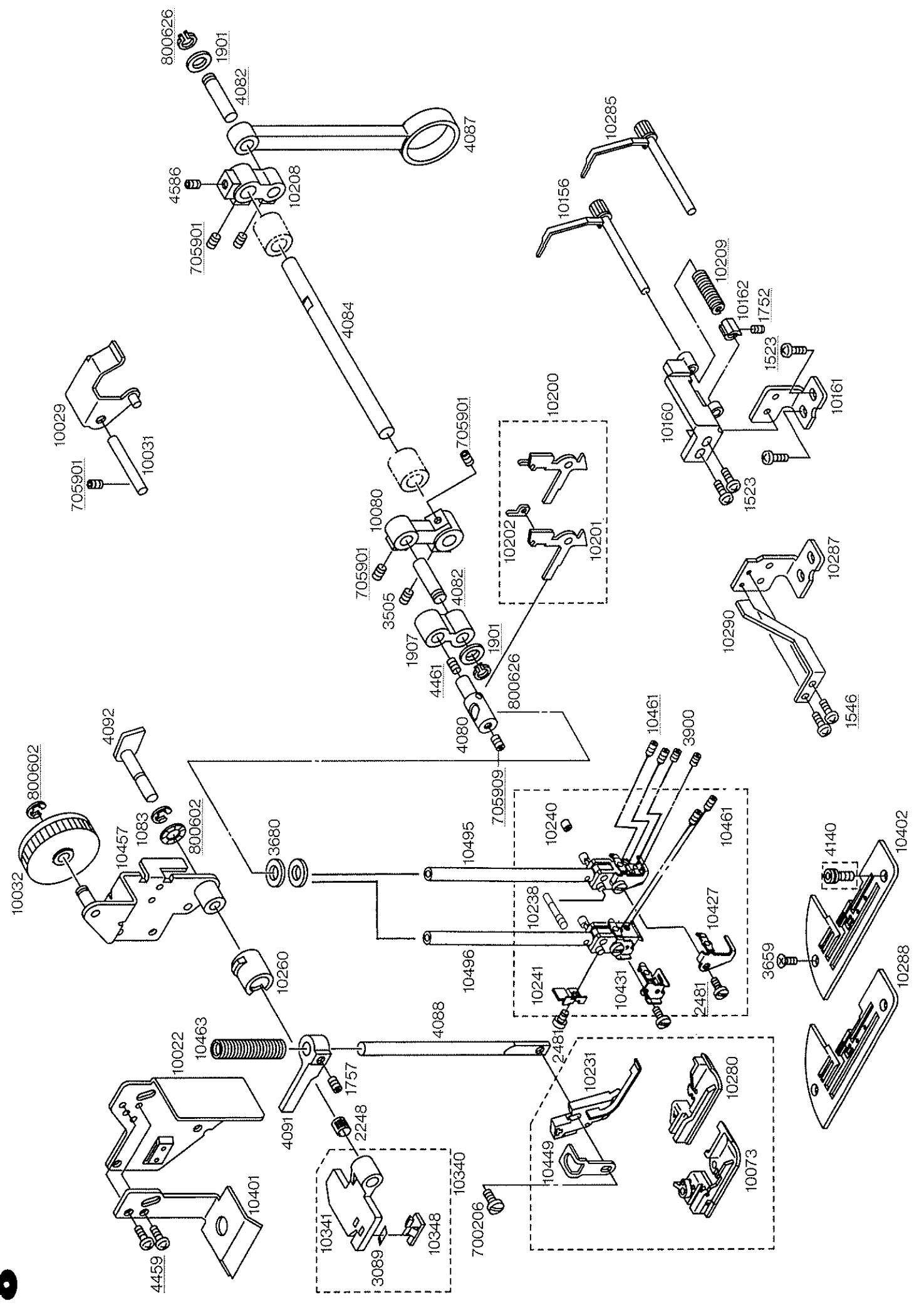
PART NO.	TAVARO NO.	NAME OF PART	PART NO.	TAVARO NO.	NAME OF PART	PART NO.	TAVARO NO.	NAME OF PART
1546	395052-37	Screw M4x6						
1757	395053-63	Grub screw M4x4						
10184	396016-79	Micro switch for front flap						
10185	396016-80	Micro switch for safety device						
10186	396016-81	Accessory stand						
10205	396016-82	Side door switch spring						
10209	396014-66	Spring						
10223	396016-83	Micro switch support						
10224	396016-84	Micro switch conn. rod						
10225	396016-85	Slide shaft						
10226	396016-86	Push pin, A						
10227	396016-87	Push pin, B						
10229	396016-88	Rod bracket						
10242	396016-89	Safety lever						
10245	396016-90	Safety lever bracket						
10247	396016-91	Safety lever cam						
10252	396016-92	Safety lever						
10255	396016-93	Safety lever connection						
10259	396016-94	Safety lever conn. cam						
10262	396016-95	Cam spring, B						
10263	396016-96	Spring, C						
10347	396016-97	Screw M2x10 pan						
10420	396016-98	Bed cover support						
10435	396016-99	AC cover						
10453	396017-00	Swing mark seal						
705901	395421-00	Grub screw M4x5						
707901	395430-00	Screw TPM 4x8						
800601	395464-00	Snap ring #3						
800603	395466-00	Snap ring #5						



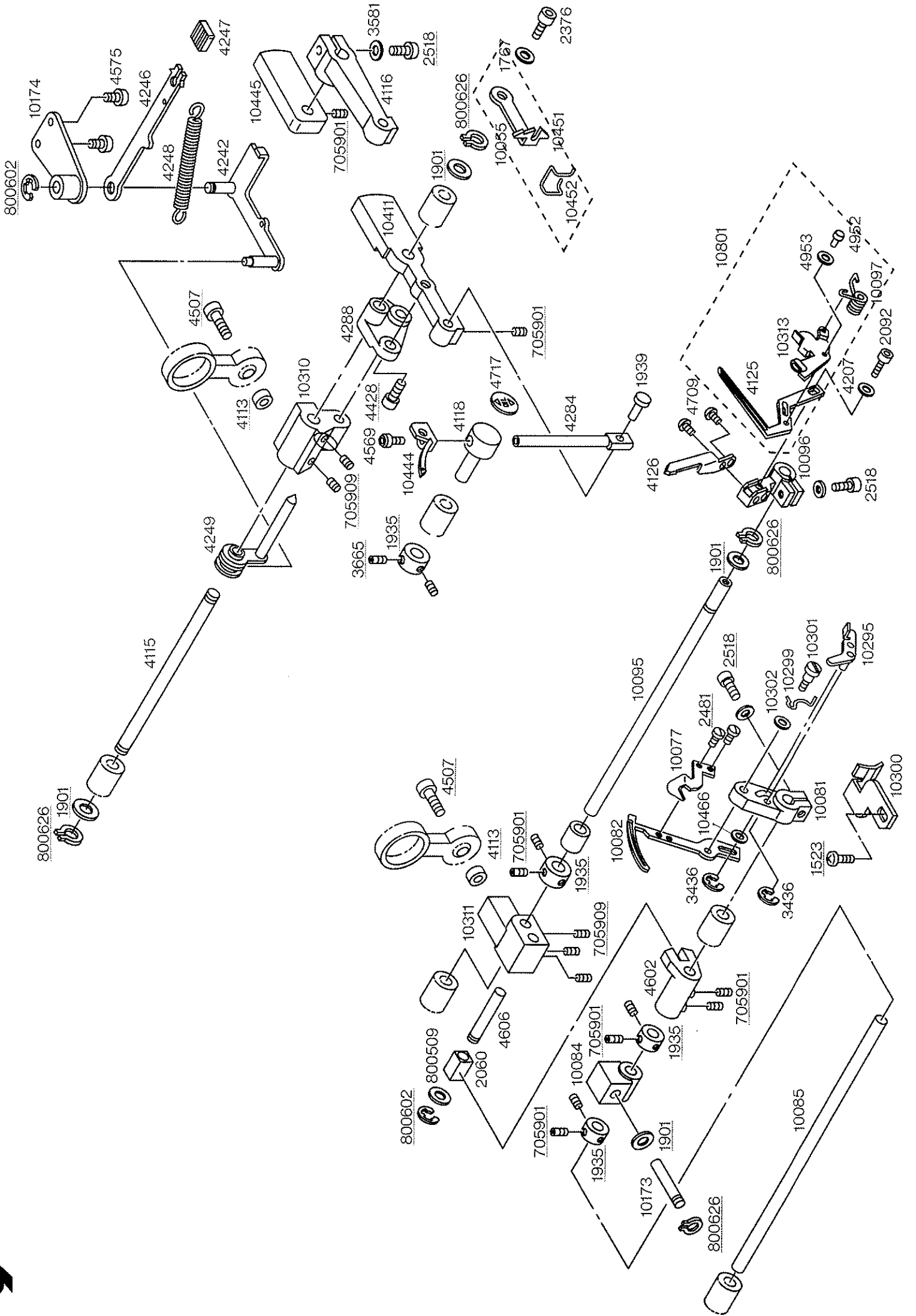
PART NO.	TAVARO NO.	NAME OF PART	PART NO.	TAVARO NO.	NAME OF PART	PART NO.	TAVARO NO.	NAME OF PART
1241	395049-19	Screw - TPM4x10						
1279	395049-20	Motor set nut M4						
1731	395053-40	Motor pulley XL8						
2377	396004-75	Screw M3x8						
4187	396001-36	14V light bulb (DC)						
4191	396010-43	Receptable						
4374	396011-07	Power supply cord set(Aus/NZ)						
4375	396011-08	Power supply cord set(CEE)						
4377	396011-10	Power supply cord set(no plug)						
4378	396011-11	Power supply cord set (USA/CND)						
4380	396011-13	Wired TB/SW unit (DC) 120V						
4441	396011-48	Tapping screw M4x10S						
4575	396011-84	Tapping screw M4x8 S						
4629	396015-05	Main switch						
4657	396012-20	Motor insulating ring set						
4659	396012-22	Wired TB/SW unit (DC)						
5181	396013-04	Power supply cord set (GB)						
10167	396015-06	Switch bracket						
10168	396015-07	Motor bracket						
10170	396015-08	Jack holder						
10211	396015-09	Motor set, 230V						
10212	396015-10	Motor set, 120V						
10213	396015-11	Jack Set.						
10349	396015-12	Lamp socket/wire set						
10441	396015-13	Motor set 220/240V						
10442	396017-03	Motor set 120V						
10454	396015-14	Foot controller						
10583	396017-05	Jack-cord						
<u>705901</u>	395421-00	Grub screw M4x5						
<u>707908</u>	395049-39	Screw M3x5						

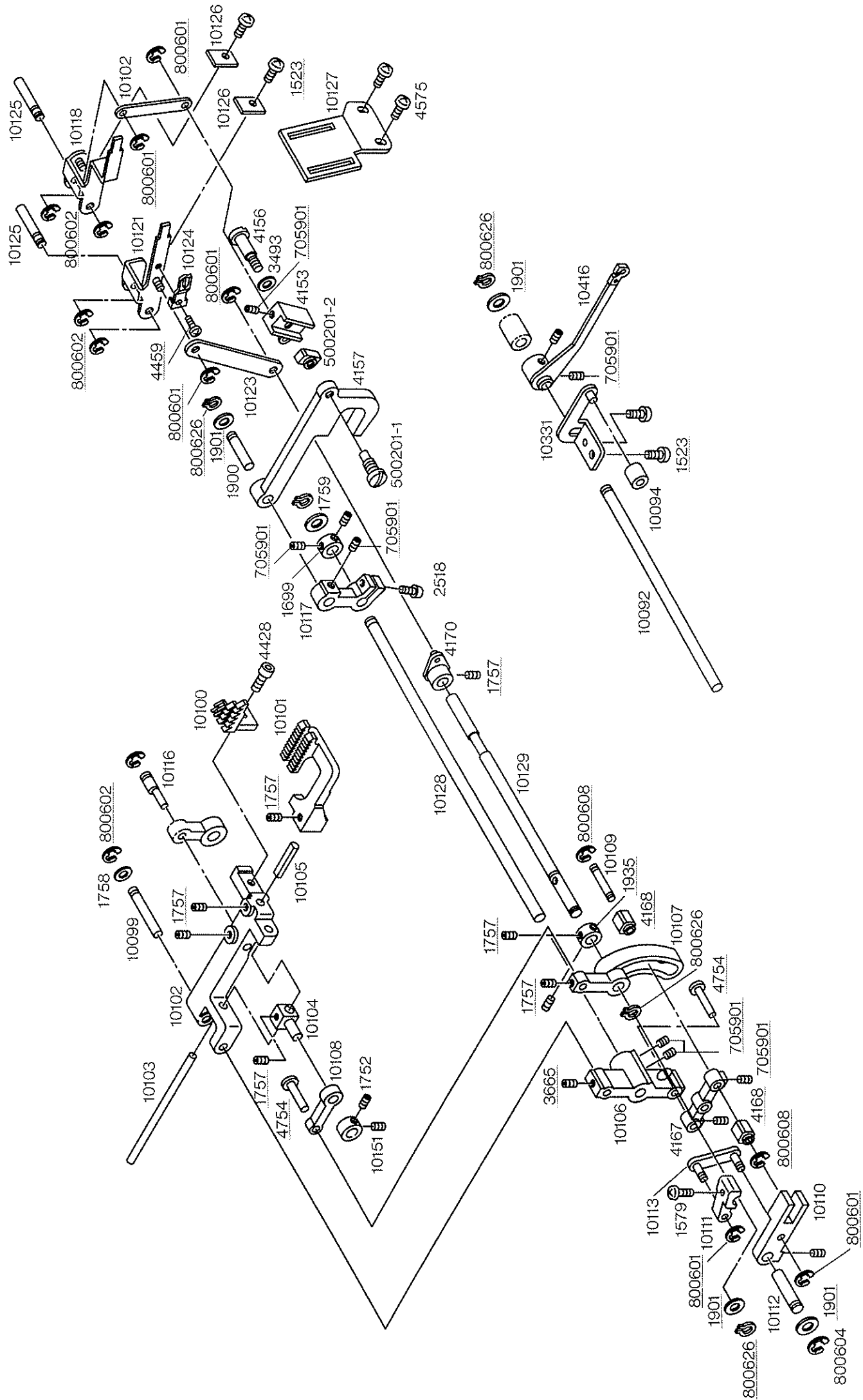


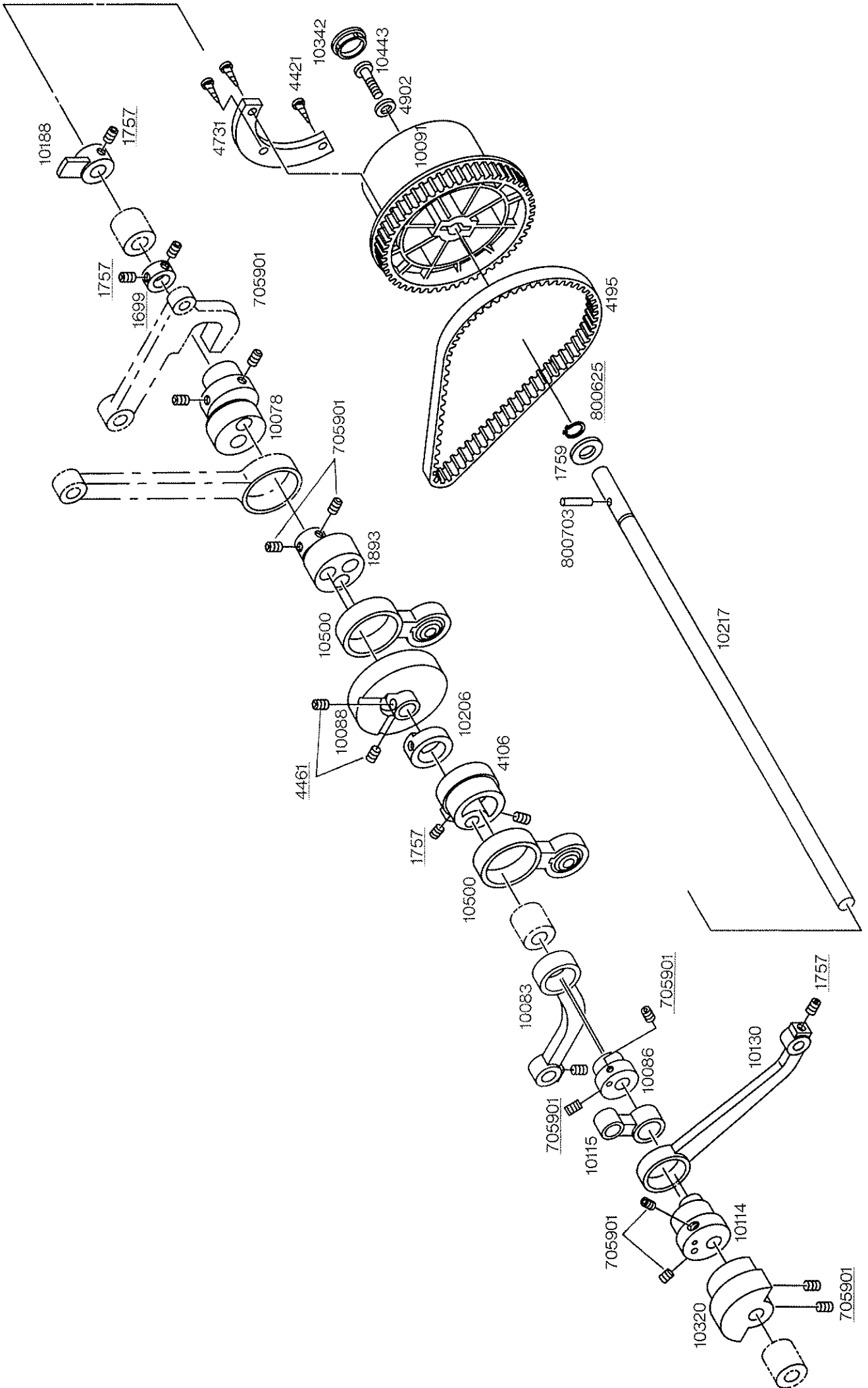
PART NO. TAVARO NO.	NAME OF PART	PART NO. TAVARO NO.	NAME OF PART	PART NO. TAVARO NO.	NAME OF PART
1913	Upper needle bar bearing				
1914	Lower needle bar bearing				
4085	Bearing				
4090	Presser bar bearing				
4110	Looper axle bearing				
10001	Casing				
10218	Bearing				
10219	Bearing 904				
10220	Bearing 905				
705901	Grub screw M4x5				



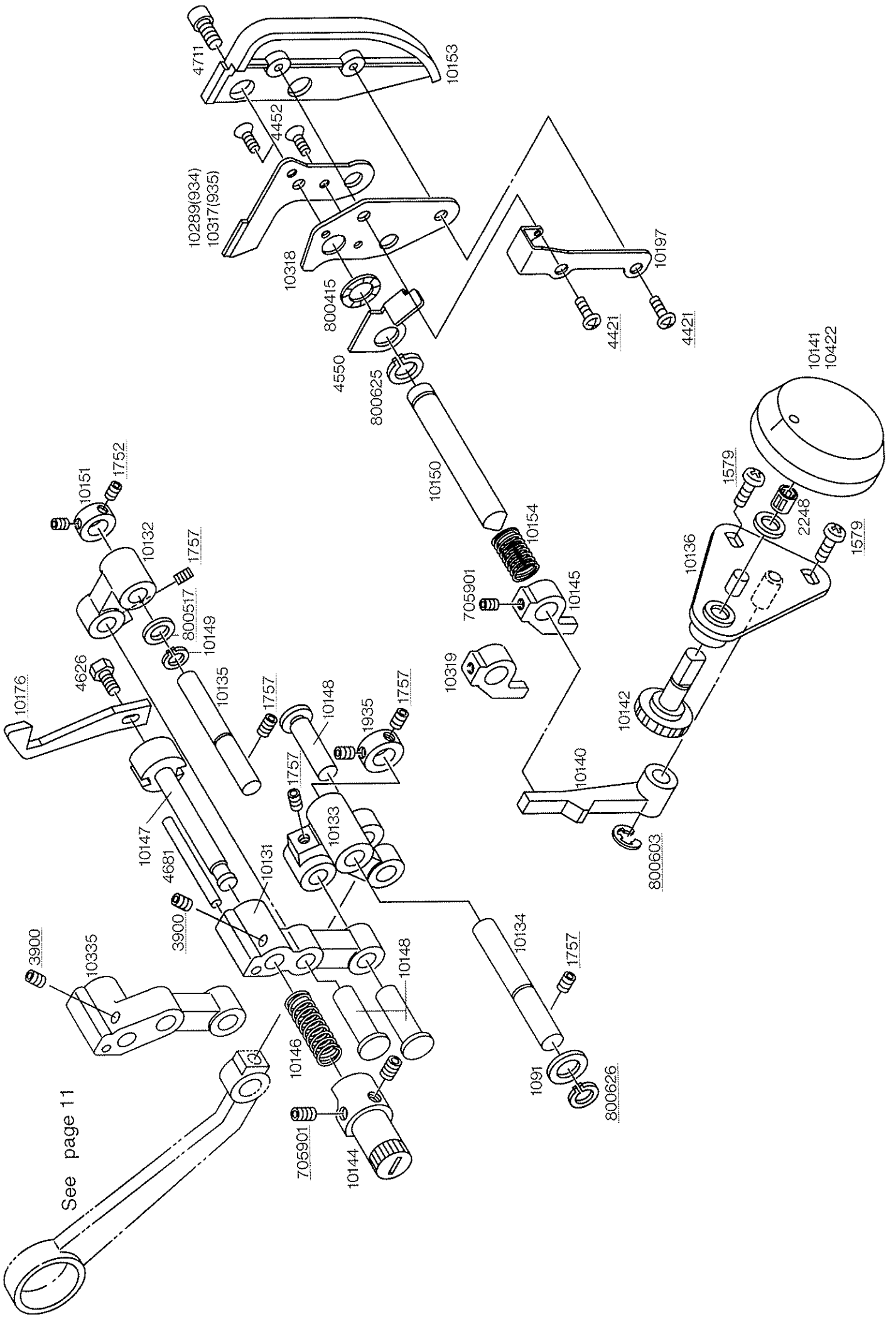
PART NO.	TAVARO NO.	NAME OF PART	PART NO.	TAVARO NO.	NAME OF PART	PART NO.	TAVARO NO.	NAME OF PART
1083	395047-24	Friction washer 6x14x0.15	10231	396014-67	Presser foot shank			
<u>1523</u>	395052-18	Screw M4x8	10238	396014-68	Needle clamp tilt release pin			
<u>1546</u>	395052-37	Screw M4x6	10240	396014-69	Needle clamp red cap			
<u>1752</u>	395053-58	Grub screw M3x3	10241	396014-70	Needle clamp tilt release plate			
<u>1757</u>	395053-63	Grub screw M4x4	10260	396014-71	Needle bar press, foot safety cam sleeve			
<u>1901</u>	396003-55	Washer STW-FT 7x1	10280	396001-76	Pressure foot, 904			
1907	396003-61	Needle bar link	10285	396014-83	Instant rolled/narrow hem device, 904			
2248	395054-50	Knob spring - 101-103-104	10287	396014-84	Instant rolled/narrow hem bracket, 904			
<u>2481</u>	396002-15	Stitch tongue set screw-type 2	10288	396001-77	Needle plate, 904			
3089	396006-93	Thread cutter	10290	396014-85	Front needle guard, 904			
3505	396014-51	Grub screw M5x8	10340	396014-76	Pressure foot lever, assem.			
3659	396006-76	Needle plate position screw	10341	396014-77	Pressure foot lever			
3680	396008-11	Felt washer 7x13x2	10348	396014-78	Pressure foot lever cap			
<u>3900</u>	396009-23	Dry lock allen screw M3x3	10401	396014-75	Lamp holder bracket			
4080	396009-64	Needle bar stud	10402	396001-78	Needle plate, 905			
<u>4082</u>	396009-66	Needle bar link pin	10427	396014-80	Needle clamp thread guide, 905			
4084	396009-68	Upper axle	10431	396014-79	Needle clamp thread guide, 904			
4087	396009-71	Crank rod	10449	396014-82	Needle bar stopper			
4088	396009-72	Presser bar	10457	396014-04	Pressure adjustment base holder			
4091	396009-74	Presser bar guide	<u>10461</u>	396014-81	Needle clamp allen screw			
4092	396009-75	Presser bar lift crank	10463	396014-74	Pressure bar spring			
4140	396010-12	Needle plate screw	10495	396014-72	Needle bar assem., 905			
<u>4459</u>	396014-52	Screw M3x3	10496	396014-73	Needle bar assem., 904			
<u>4461</u>	396011-52	Grub screw M4x6	700206	395402-00	Screw SM 7x8 Cr.			
4586	396011-88	Allen screw M5x8 flat tip	<u>705901</u>	395421-00	Grub screw M4x5			
10022	396014-53	Reflex partition plate	<u>705909</u>	395047-98	Grub screw M5x5			
10029	396014-54	Pressure control lever, assem.	<u>800602</u>	395465-00	Snap ring #4			
10031	396014-55	Pressure control axle	<u>800626</u>	395128-24	Clip ring #7			
10032	396014-56	Pressure control dial						
10073	396001-73	Presser foot, 905						
10080	396014-57	Crank (L)						
10156	396014-58	Instant rolled/narrow hem device, 905						
10160	396014-59	Inst. rolled/hem device holder						
10161	396014-60	Inst. rolled/narrow hem bracket, 905						
10162	396014-61	Inst. rolled/narrow hem sleeve						
10200	396014-62	Needle thread take-up lever, assem.						
10201	396014-63	Needle thread take-up lever						
10202	396014-64	Needle thread take-up guide						
10208	396014-65	Needle bar crank, right						
10209	396014-66	Spring						



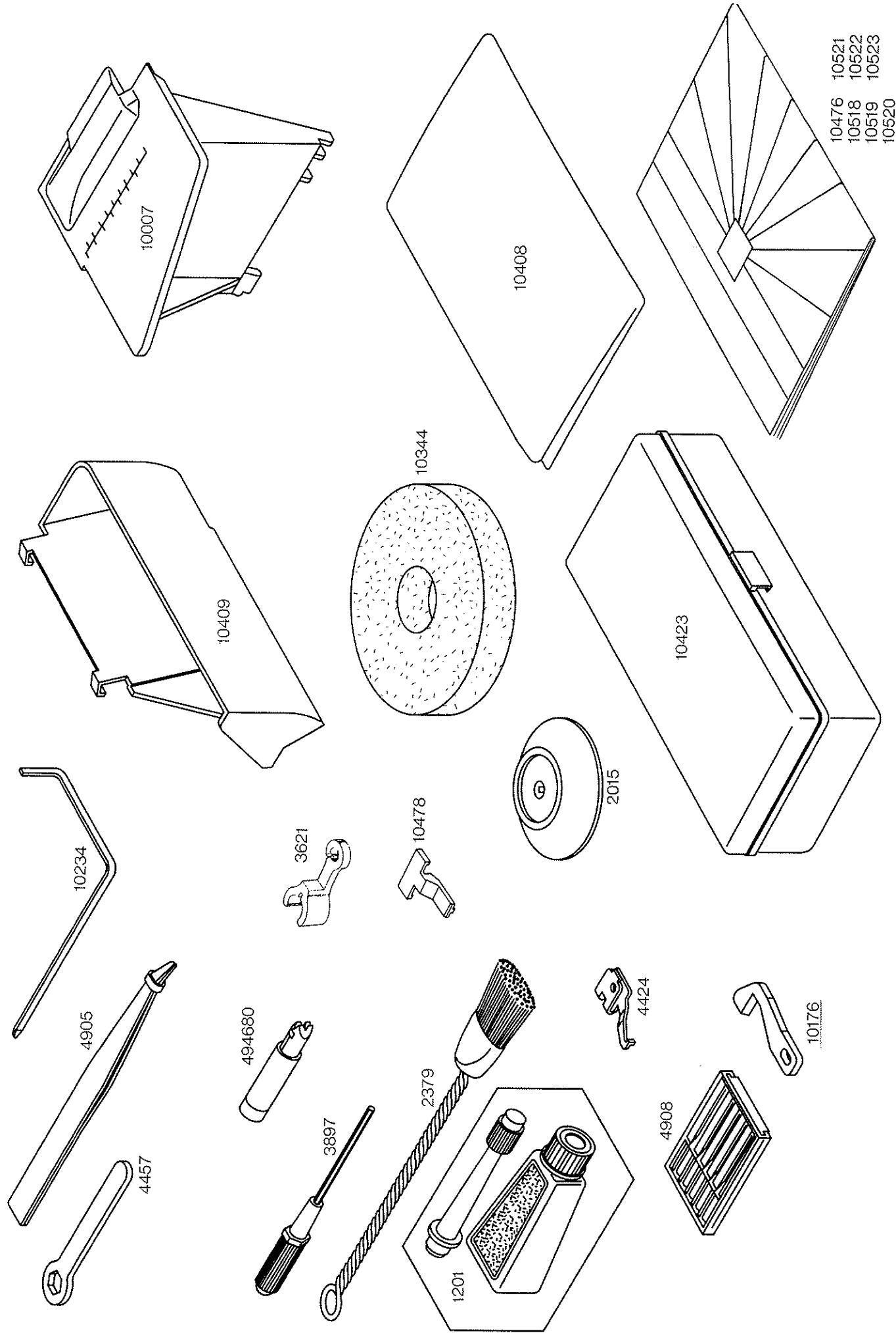




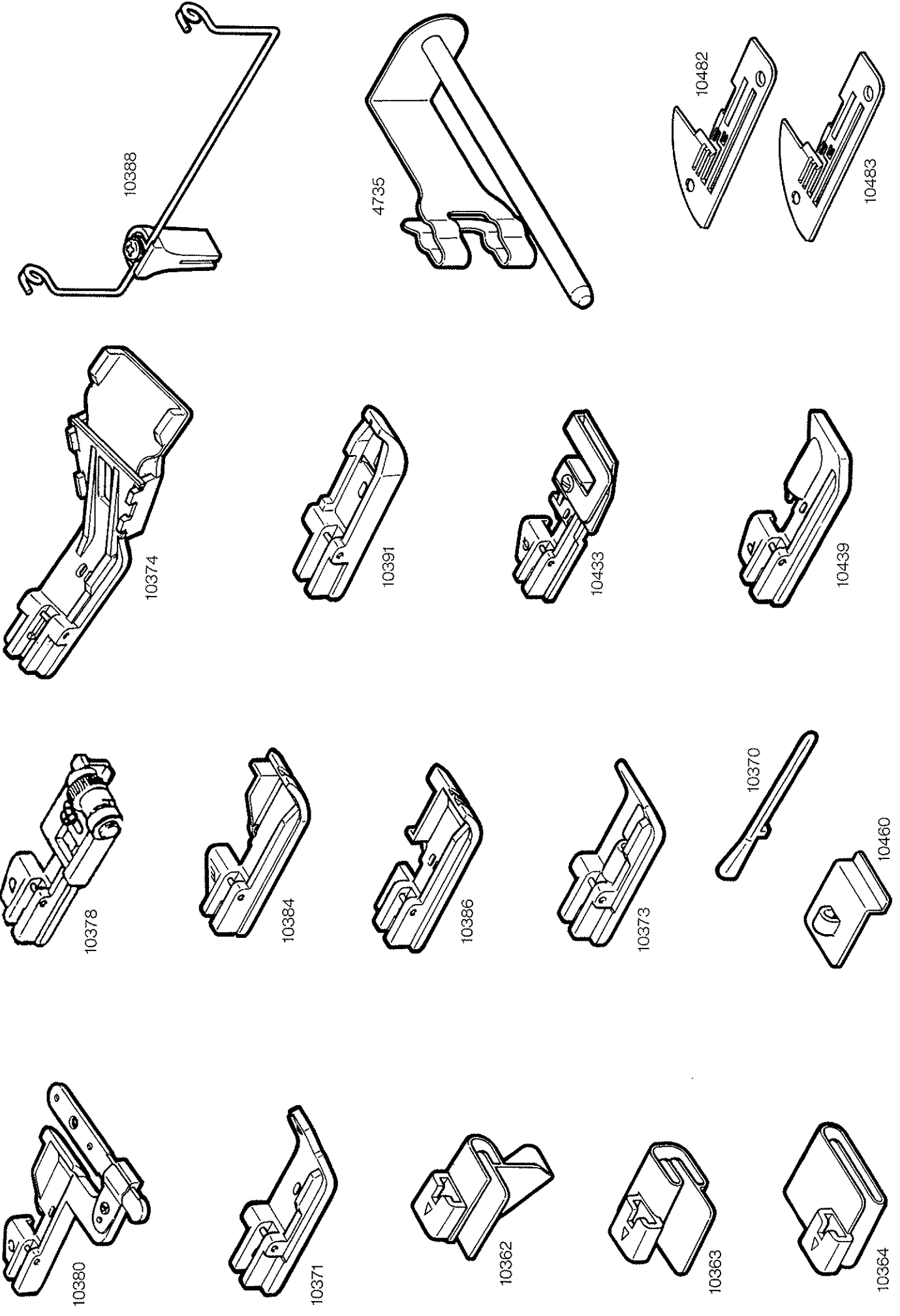
PART NO.	TAVARO NO.	NAME OF PART	PART NO.	TAVARO NO.	NAME OF PART	PART NO.	TAVARO NO.	NAME OF PART
1699	395053-23	Lower shaft collar						
1757	395053-63	Grub screw M4x4						
1759	395053-65	Washer STW-FM 8x1						
1893	396003-47	Looper rod eccentric						
4106	396009-86	Crank cam						
4195	396010-46	Belt XL136						
4421	396011-39	Tapping screw M3x8.5						
4461	396011-52	Grub screw M4x6						
4731	396012-30	Flywheel weight, type 2						
4902	396014-05	Washer 4x12x1						
10078	396014-06	Crank cam						
10083	396014-07	Chain looper rod						
10086	396014-08	Chain stitch eccentric						
10088	396014-09	Cam						
10091	396014-10	Flywheel						
10114	396014-11	Cutter cam						
10115	396014-12	Feed eccentric						
10130	396014-13	Cutter conr. rod						
10188	396014-14	NP sensor rod						
10206	396014-15	Cam holder						
10217	396014-16	Main shaft						
10320	396014-17	Main balance weigh, left						
10342	396014-18	Flywheel cap						
10443	396014-19	Screw M4x16 +,- pan						
10500	396014-20	Looper rod						
705901	395421-00	Grub screw M4x5						
800625	395128-23	Clip ring #8						
800703	395054-44	Roll pin 3x16						



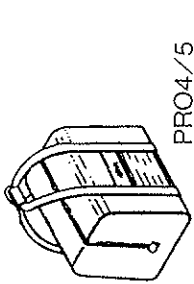
See page 11



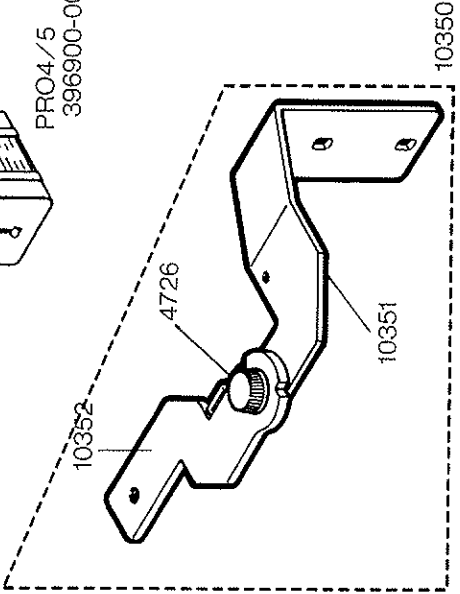
PART NO. TAVARO NO.	NAME OF PART	PART NO. TAVARO NO.	NAME OF PART	PART NO. TAVARO NO.	NAME OF PART
1201	Oil	395049-43			
2015	Spool cap	396002-07			
2379	Brush	396002-12			
3621	Aux. thread guide	396006-36			
3897	Allen screw driver 1.5mm	396002-69			
4424	Converter	396001-19			
4457	Wrench 7mm	396001-13			
4905	Tweezers	396001-62			
4908	Needle assortment ELx750 #80-90	396001-52			
10007	Chain stitch sewing table, 905	396001-65			
10176	Moving blade	396001-60			
10190	Styrofoam (not shown)	396017-01			
10234	Quilting guide	396001-61			
10344	Foam pad	396001-64			
10408	Dust cover, DCX	396001-67			
10409	Waste tray	396001-66			
10423	Accessory case	396001-68			
10476	Instruction manual DCX, English	396160-52			
10478	Pre-tension release clip	396161-52			
10498	Carton (not shown)	396017-02			
10518	Instruction manual DCX, German	396160-51			
10519	Instruction manual DCX, French	396160-57			
10520	Instruction manual DCX, Danish	396160-53			
10521	Instruction manual DCX, Norwegian	396160-62			
10522	Instruction manual DCX, Swedish	396160-64			
10523	Instruction manual DCX, Finnish	396160-55			
494680	Needle threader				



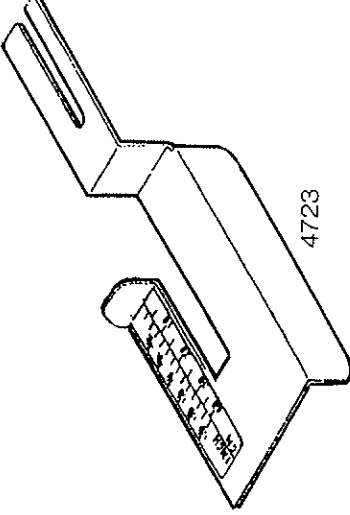
PART NO.	TAVARO NO.	NAME OF PART
4597	396001-28	Tape guide
4599	396001-29	Gathering plate
4635	396001-30	Bias binder
4723	396001-42	Cloth guide
4726	396001-39	Coin screw M4x8
4735	396001-43	Ribbon thread spool holder
4736	396001-44	Carrying bag
10350	396001-79	Attachment holder,assem.
10351	396001-80	Attachment holder,base
10352	396001-81	Attachment holder
10355	396001-82	Cloth guide (S)
10356	396001-83	Cloth guide (W)
10359	396001-84	Tape guide
10360	396001-85	Tape guide with cording
10362	396001-86	Wrap seam guide
10363	396001-87	Cover hem guide
10364	396001-88	Blind hem guide
10370	396001-89	Pin tuck guide
10371	396001-90	Cover hem foot
10373	396001-91	Pin tuck foot
10374	396001-92	Belt loop foot
10378	396001-93	Blind stitch/Flatlock foot
10380	396001-94	Multi-purpose foot
10384	396001-95	Piping foot, 904
10386	396001-96	Piping foot, 905
10388	396001-97	Special thread guide (Yarn guide)
10391	396001-73	Chain stitch -coverhem foot
10433	396001-98	Bulky/gathering foot
10439	396001-99	Pearl foot
10460	396013-50	Cording guide
10477	396013-58	Cloth guide(S) + (W)
10482	396015-51	Needle plate for pearl foot, 904
10483	396015-52	Needle plate for pearl foot, 905



PRO4/5
396900-00

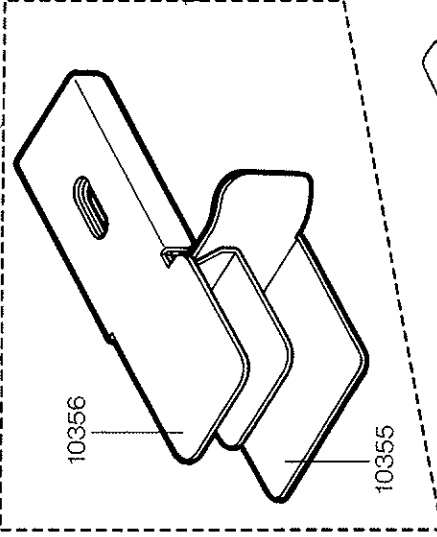
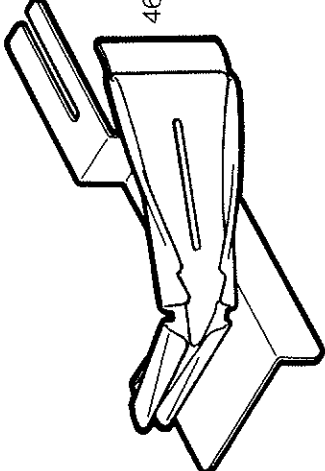


10350



4723

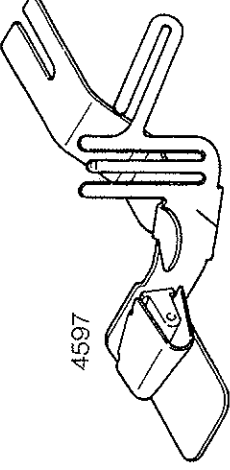
4635



10356

10355

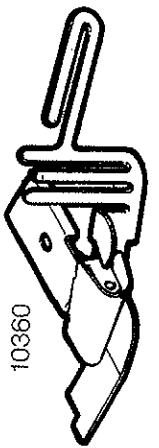
10477



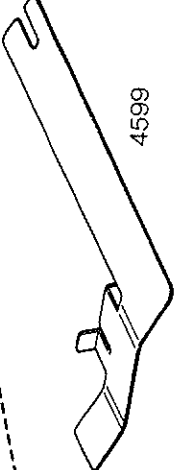
4597



10359



10360



4599

PART NO.	PAGES	PART NO.	PAGES	PART NO.	PAGES	PART NO.	PAGES	PART NO.	PAGES	PART NO.	PAGES
1010	4	3089	8	4167	10	4635	14	10024	1	10080	8
1083	8	3127	3	4168	10	4657	6	10025	2	10081	9
1091	12	3300	1	4170	10	4659	6	10029	8	10082	9
1201	13	3311	3	4187	6	4681	12	10031	8	10083	11
1241	2,6	3340	3	4191	6	4709	9	10032	8	10084	9
1279	6	3341	3	4195	11	4711	12	10033	2	10085	9
1517	1,3	3436	9	4207	9	4717	9	10034	2	10086	11
1518	4	3451	4	4242	9	4720	2,3	10035	2	10088	11
1522	2	3493	10	4246	9	4723	14	10036	2	10091	11
1523	1,4,8,9,10	3494	1,3	4247	9	4726	14	10037	1	10092	10
1546	2,5,8	3495	3	4248	9	4731	11	10038	1	10094	10
1548	4	3505	8	4249	9	4735	14	10039	1	10095	9
1579	1,2,10,12	3581	9	4284	9	4740	3	10040	4	10096	9
1699	10,11	3621	13	4288	9	4754	10	10041	4	10097	9
1731	6	3659	8	4374	6	4902	11	10044	4	10099	10
1752	8,10,12	3663	9	4375	6	4905	13	10045	4	10100	10
1757	5,8,10,11,12	3665	9,10	4376	6	4908	13	10046	1,4	10101	10
1758	10	3680	8	4377	6	4952	9	10047	4	10102	10
1759	10,11	3897	13	4378	6	4953	9	10048	4	10103	10
1767	9	3900	8,12	4380	6	5048	4	10049	4	10104	10
1850	2	4057	4	4411	3	5099	1	10051	4	10105	10
1879	2	4080	8	4421	2,12	5181	6	10052	4	10106	10
1883	2	4082	8	4424	13	10001	7	10053	4	10107	10
1885	3	4084	8	4428	9,10	10002	1	10054	1	10108	10
1893	11	4085	7	4441	4,6,11	10004	2	10055	9	10109	10
1900	10	4087	8	4449	2	10005	3	10056	1	10110	10
1901	8,9,10	4088	8	4452	12	10006	3	10057	1	10111	10
1907	8	4090	7	4457	13	10007	13	10058	1	10112	10
1913	7	4091	8	4459	4,8,10	10008	2	10059	4	10113	10
1914	7	4092	8	4461	8,11	10009	3	10060	4	10114	11
1935	9,10,12	4106	11	4504	2	10011	2	10061	4	10115	11
1939	9	4110	7	4507	9	10012	2	10062	1	10116	10
2015	13	4113	9	4550	12	10013	2	10063	1	10117	10
2060	9	4115	9	4569	9	10014	1	10064	1	10118	10
2092	9	4116	9	4575	1,3,6,9,10	10015	1	10066	3	10120	10
2248	8,12	4118	9	4586	8	10016	1	10067	1	10121	10
2376	9	4125	9	4597	14	10017	1	10068	1	10123	10
2377	6	4126	9	4602	9	10018	1	10069	1	10124	10
2379	13	4140	8	4606	9	10019	1	10070	8	10125	10
2481	8,9	4153	10	4626	12	10021	2	10073	8	10126	10
2518	9,10	4156	10	4629	6	10022	8	10077	9	10127	10
3085	8	4157	10	4630	3	10023	1	10078	11	10128	10

PART NO.	PAGES	PART NO.	PAGES	PART NO.	PAGES	PART NO.	PAGES	PART NO.	PAGES	PART NO.	PAGES
10129	10	10186	5	10247	5	10341	8	10420	5	10482	14
10130	11	10187	2	10252	5	10342	11	10422	12	10483	14
10131	12	10188	11	10255	5	10343	2	10423	13	10484	3
10132	12	10190	13	10259	5	10344	13	10426	2	10485	3
10133	12	10192	3	10260	8	10346	1	10427	8	10486	3
10134	12	10193	3	10262	5	10347	5	10431	8	10487	3
10135	12	10195	1	10263	5	10348	8	10432	3	10488	3
10136	12	10196	1	10270	3	10349	6	10433	14	10489	3
10140	12	10197	12	10271	1	10350	14	10434	14	10490	3
10141	12	10199	1	10272	3	10351	14	10435	5	10491	4
10142	12	10200	8	10273	2	10352	14	10436	4	10498	13
10144	12	10201	8	10274	2	10355	14	10439	14	10500	11
10145	12	10202	8	10280	8	10356	14	10441	6	10512	4
10146	12	10203	1	10285	8	10359	14	10442	6	10518	13
10147	12	10204	1	10287	8	10360	14	10443	11	10519	13
10148	12	10205	5	10288	8	10362	14	10444	9	10520	13
10149	12	10206	11	10289	12	10363	14	10445	9	10521	13
10150	12	10207	2	10290	8	10364	14	10447	2	10522	13
10151	10,12	10208	8	10295	9	10370	14	10448	2	10523	13
10153	12	10209	5,8	10299	9	10371	14	10449	8	10583	6
10154	12	10211	6	10300	9	10373	14	10450	2	10801	1
10156	8	10212	6	10301	9	10374	14	10451	9	494680	9
10160	8	10213	6	10302	9	10378	14	10452	5	500201-1	10
10161	8	10217	11	10303	13	10380	14	10453	8	500201-2	10
10162	8	10218	7	10311	9	10384	14	10457	3	705901	5,6,7,8,9,10,11,12
10163	4	10219	7	10312	1	10386	14	10458	14	705909	8,9
10167	6	10220	7	10313	9	10388	14	10460	14	707901	1,5
10168	6	10221	1	10317	12	10391	14	10461	8	707908	1,4,6
10169	3	10222	1	10318	12	10400	1	10462	9	800415	12
10170	6	10223	5	10319	12	10401	8	10463	8	800509	9
10171	3	10224	5	10320	11	10402	8	10464	1	800517	4,12
10172	2	10225	5	10323	1	10405	3	10466	9	800601	3,5,10
10173	9	10226	5	10324	1	10406	1	10467	1,3	800602	4,8,9,10
10174	9	10227	5	10325	3	10407	1	10468	1	800603	5,12
10176	12,13	10229	5	10326	3	10408	13	10469	1	800604	10
10177	1	10231	8	10327	3	10409	13	10470	1	800608	10
10180	1	10234	13	10331	10	10411	9	10471	1	800625	10,11,12
10181	1	10238	8	10335	12	10412	2	10472	2	800626	8,9,10,12
10182	1	10240	8	10337	1	10413	3	10476	13	800701	4
10183	3	10241	8	10338	1	10414	3	10477	14	800703	11
10184	5	10242	8	10338	1	10415	3	10478	13		
10185	5	10245	5	10340	8	10416	10	10481	1,2		