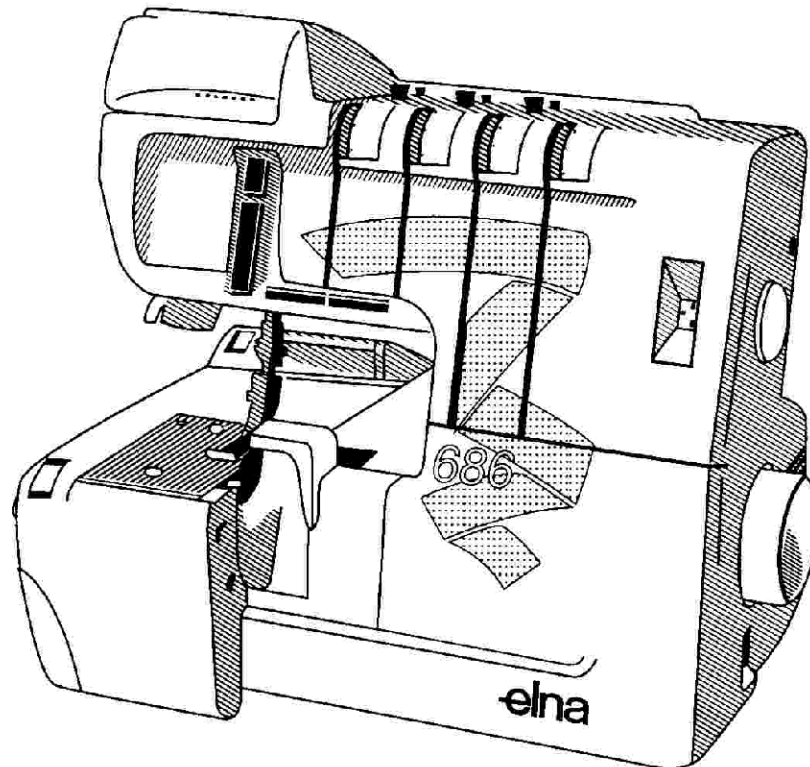


# elna 683 - 686



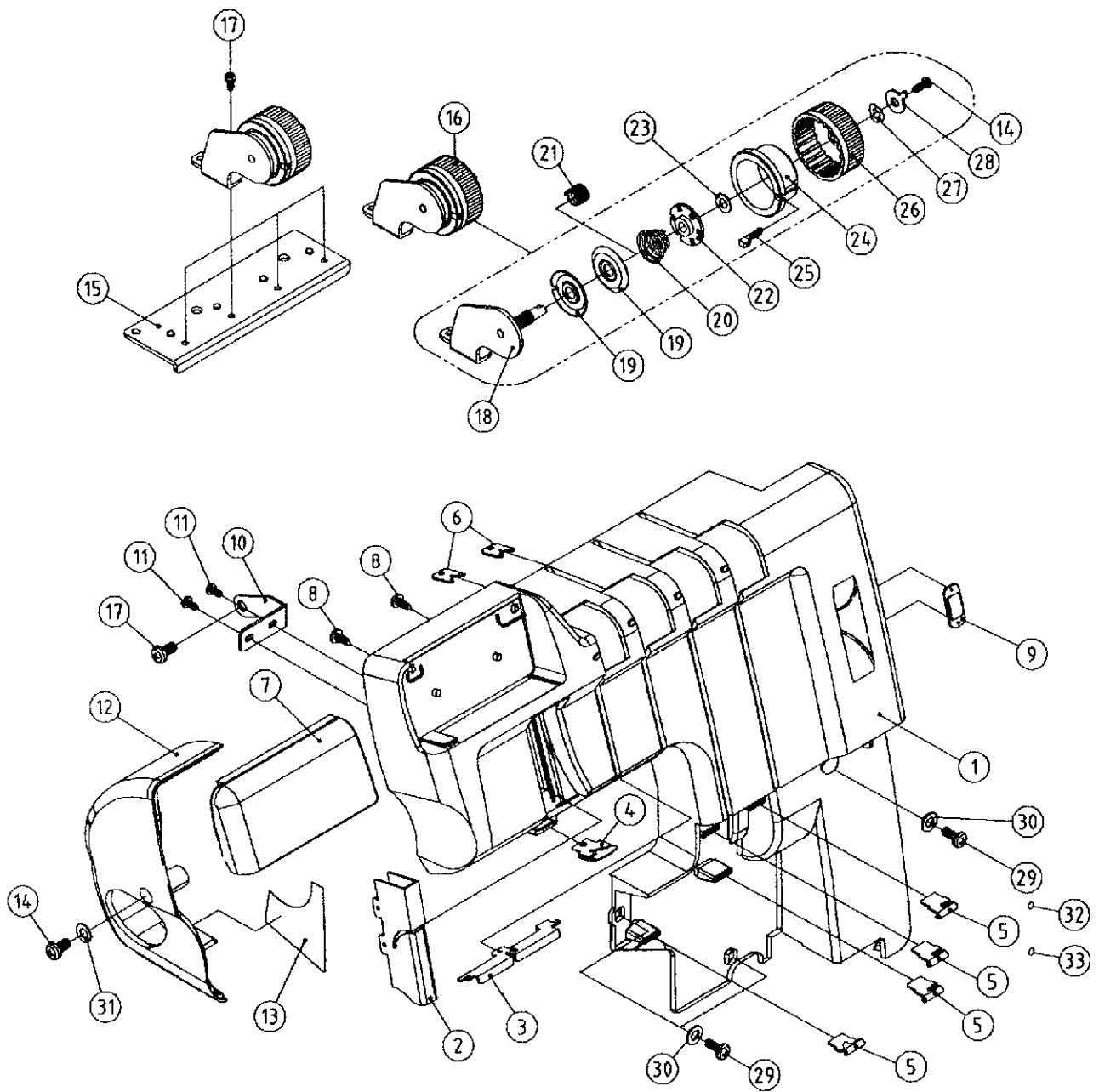
## PIECES DE RECHANGE ERSATZTEILE SPARE PARTS PIEZAS DE RECAMBIO



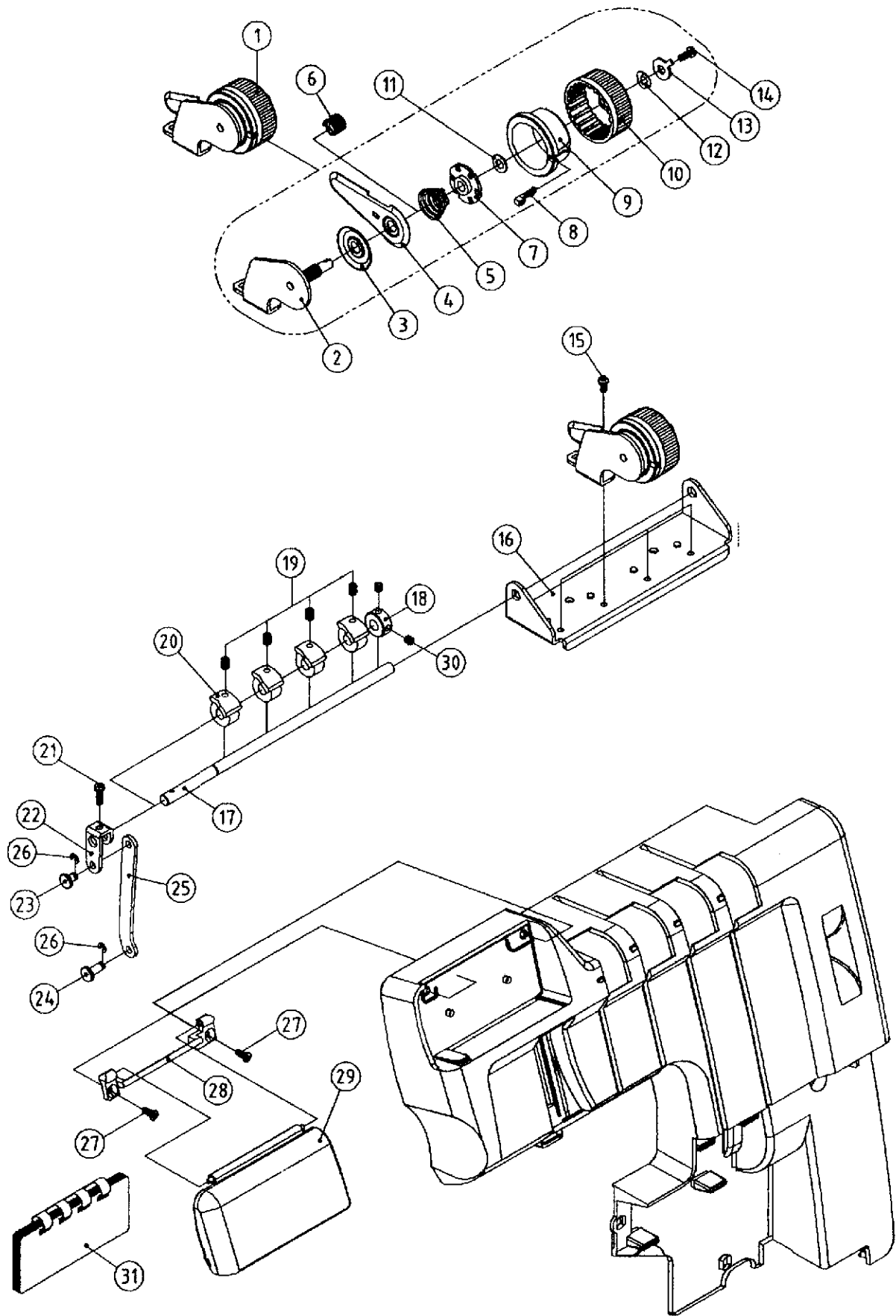
**I N D E X**

Front cover, Tension dial, Bulb cover	1
Tension dial / Program card For 686	2
Looper cover	3
Side cover / Base plate / Accessory box / Extension table Back cover/Thread guide bar / Spool stand	4
Machine frame / Lower knife / Stitch plate	5
Handle holder	6
Main shaft	7
Upper knife	8
Handweel / Stitch length dial	9
Needle bar / Presser bar / Presser foot	10
Upper looper / Two thread converter	11
Differential feed	12
Feed dog	13
Lower looper auto threader	14
Electronic parts	15
Accessories	16

1	396405-93	Front cover 683 (No.1.2.3.4.5.6.9.10.11 included)
1	396405-94	Front cover 686 (No.1.2.3.4.5.6.9.10.11 included)
1	396407-60	Front cover NECCHI (No.1,2,3,4,5,6,9,10,11 included)
2	396406-38	Thread take-up cover
3	396406-05	Thread guide (B)
4	396404-55	Thread guide (C)
5	396404-64	Thread guide (F)
6	396404-56	Thread guide (D)
7	396406-54	Program card cover
8	396406-71	Set screw
9	396406-48	Stitch lenght display window
10	396405-24	Front cover fixing board
11	396406-69	Set screw
12	396404-76	Bulb cover
13	396406-52	Lamp cover heatout plate
14	396406-67	Set screw
15	396406-27	Tension dial holder
16	396404-33	Tension dial set (left needle, blue)
16	396404-36	Tension dial set (right needle, red)
16	396404-39	Tension dial set (upper lopper, yellow)
16	396404-42	Tension dial set (lower lopper, green )
17	396406-90	Set screw
18	396406-19	Tension dial holder set
19	396404-10	Tension disc
20	396404-59	Tension spring (lower looper, green)
20	396404-60	Tension spring (right needle, left needle, red and blue)
20	396404-61	Tension spring (upper looper, yellow)
21	396404-65	Tension spring (lower looper, green)
22	396404-52	Tension regulate nut
23	396407-03	Washer
24	396404-44	Tension regulate disc(yellow)
24	396404-45	Tension regulate disc(blue)
24	396404-46	Tension regulate disc(red)
24	396404-47	Tension regulate disc (green)
25	396404-48	Tension regulate pin(yellow)
25	396404-49	Tension regulate pin(blue)
25	396404-50	Tension regulate pin(red)
25	396404-51	Tension regulate pin(green)
26	396404-31	Tension dial (2,3,4 blue)
26	396404-35	Tension dial (2,3,4 red)
26	396404-38	Tension dial (2,3,4 yellow)
26	396404-41	Tension dial (2,3,4 green)
27	396407-05	Wave Washer
28	396404-54	Tension dial setting plate
29	396406-83	Set screw
30	396407-00	Washer
31	396406-97	Washer
32	396406-99	Color sticker (green)
33	396404-24	Color sticker (yellow)



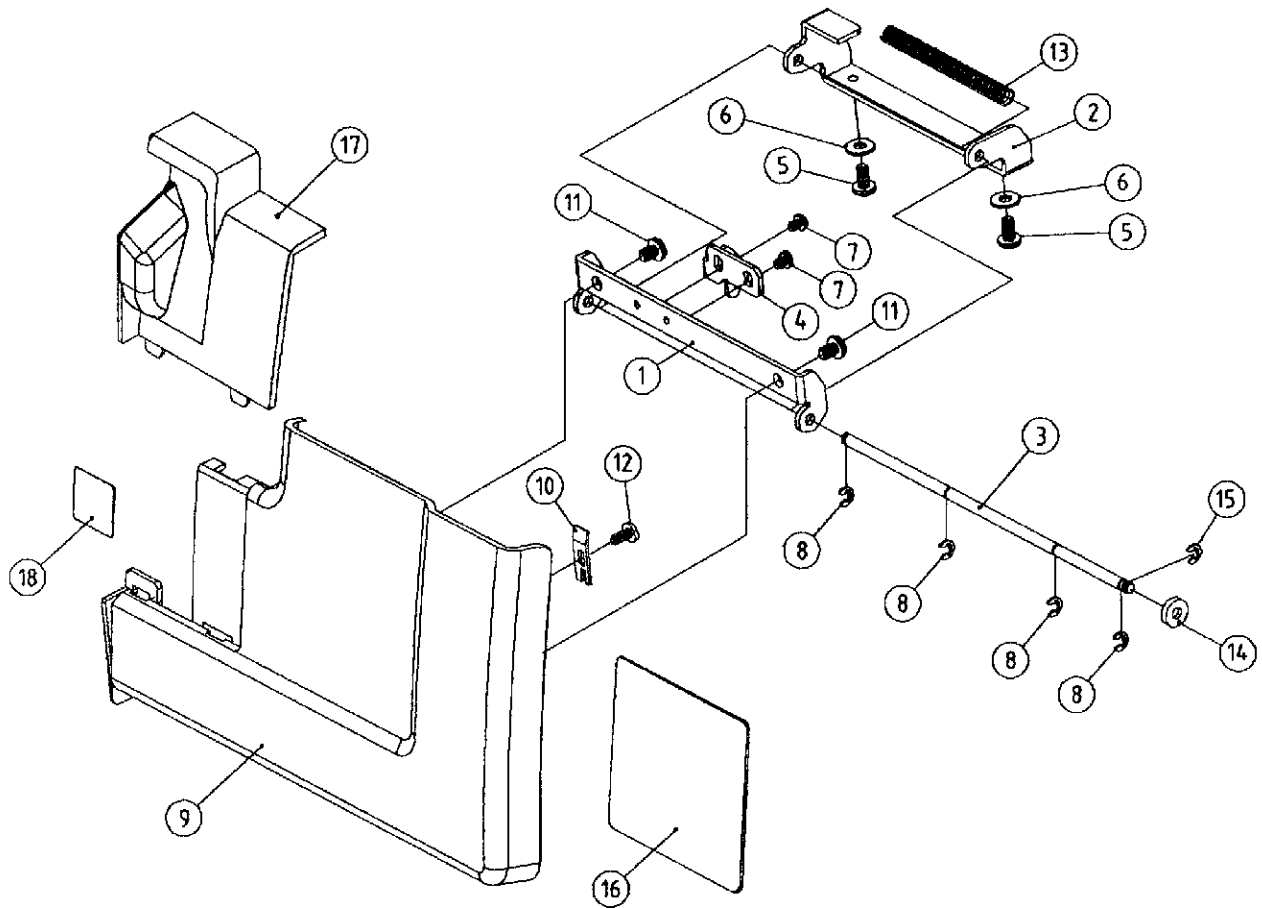
1	396404-34	Tension dial set (left needle, blue)
1	396404-37	Tension dial set (right needle, red)
1	396404-40	Tension dial set (upper looper, yellow)
1	396404-43	Tension dial set (lower looper, green)
2	396406-19	Tension dial holder set
3	396404-10	Tension disc
4	396406-10	Tension disc
5	396404-59	Tension spring (lower looper, green)
5	396404-60	Tension spring (right needle, left needle)
5	396404-61	Tension spring (upper looper, yellow)
6	396404-65	Tension spring (lower looper, green)
7	396404-52	Tension regulate nut
8	396404-48	Tension regulate pin (yellow)
8	396404-49	Tension regulate pin (blue)
8	396404-50	Tension regulate pin (red)
8	396404-51	Tension regulate pin (green)
9	396404-44	Tension regulate disc (yellow)
9	396404-45	Tension regulate disc (blue)
9	396404-46	Tension regulate disc (red)
9	396404-47	Tension regulate disc (green)
10	396404-32	Tension dial (2,3,4 blue)
10	396404-35	Tension dial (2,3,4 red)
10	396404-38	Tension dial (2,3,4 yellow)
10	396404-41	Tension dial (2,3,4 green)
11	396407-03	Washer
12	396407-05	Wave Washer
13	396404-54	Tension dial setting plate
14	396406-67	Set screw
15	396406-90	Set screw
16	396406-20	Tension dial holder
17	396406-18	Release cam shaft
18	396406-28	Setting collar
19	396406-81	Set screw
20	396406-15	Release cam
21	396406-78	Set screw
22	396406-13	Release link supporter
23	396406-16	Release link pin A
24	396406-17	Release link pin B
25	396406-12	Release link
26	396404-67	E ring
27	396406-77	Set screw
28	396406-03	Program card holder
29	396406-02	Program card cover
30	396406-80	Set screw
31	396406-61	Program card set
31	396407-63	Program card set
32	396405-94	686 Front cover (No.1.2.3.4.5.6.9.10.11 included)



---

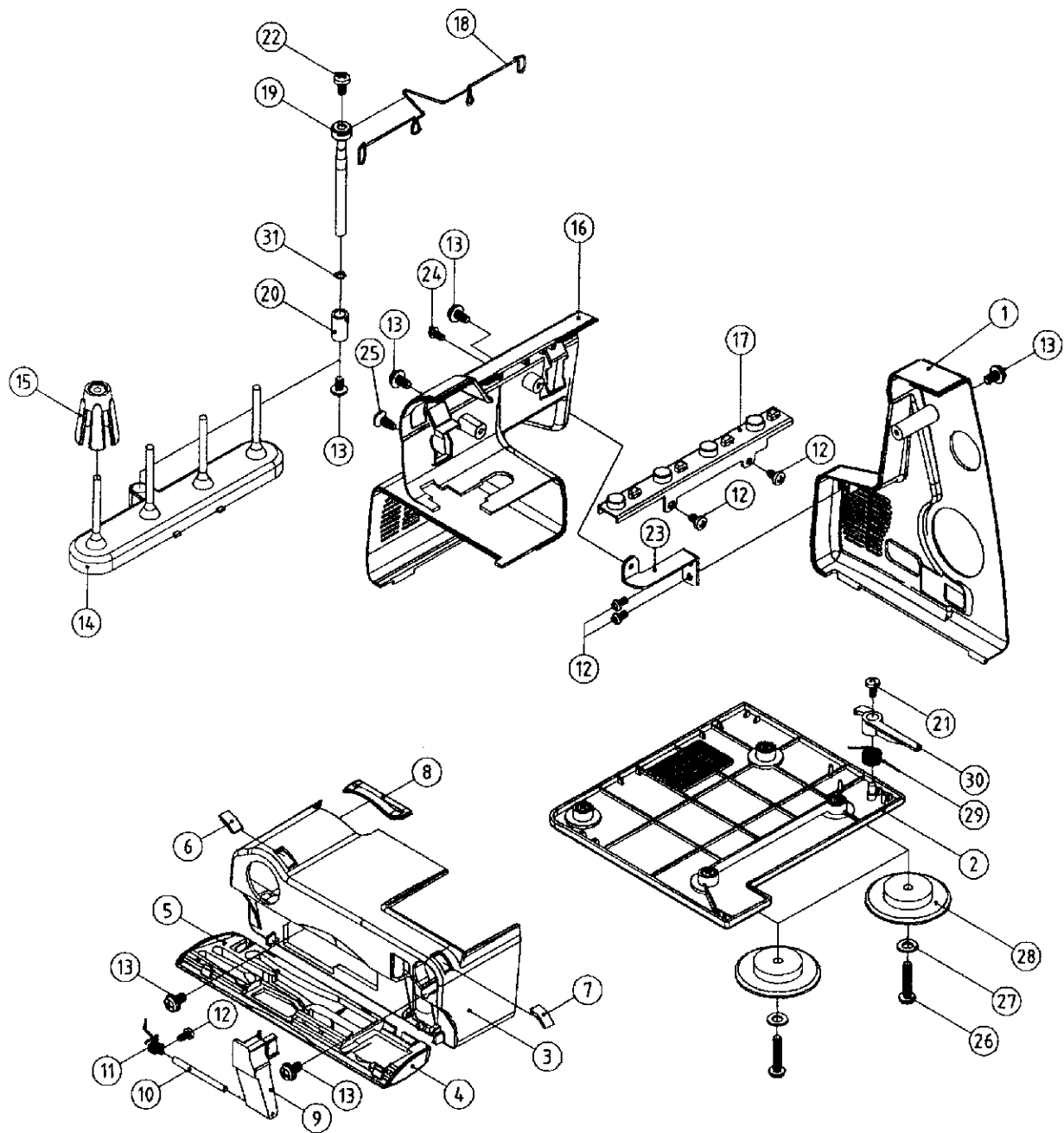
1	396405-58	Looper cover hinge (A)
2	396405-56	Looper cover hinge (B)
3	396405-60	Looper cover hinge shaft
4	396405-59	Hinge locating board
5	396406-83	Set screw
6	396407-00	Washer
7	396406-64	Set screw
8	396404-68	E ring
9	396405-97	Looper cover 683
9	396405-98	Looper cover 686
9	396407-61	Looper cover NECCHI
10	396404-57	Looper cover setting plate
11	396406-85	Set screw
12	396406-71	Set screw
13	396404-19	Looper cover hinge spring
14	396405-63	Connecting press plate
15	396404-69	E ring
16	396406-51	Thread guide sticker (G01)
17	396406-60	Looper cover attached cover (A)
18	396406-59	Needle sticker
19	396405-57	Looper cover hinge set (No. 1,2,3,4,7,8, 13 included)





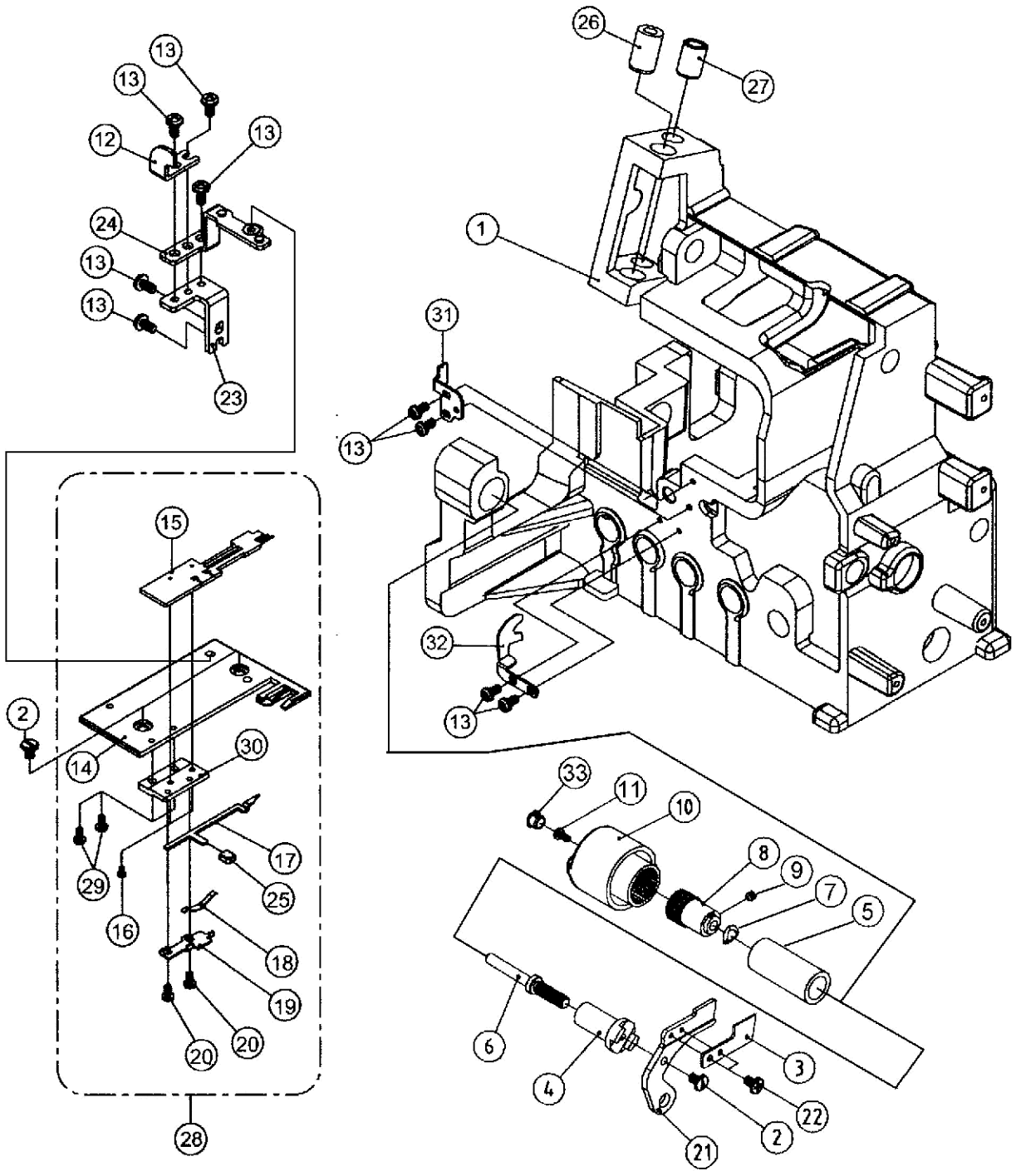
---

1	396405-96	Side cover
2	396405-66	Base plate
3	396405-99	Extension table
3	396407-62	Extension table NECCHI
4	396406-01	Accessory box
5	396406-56	Built-in accessory setting
6	396406-47	D.F. display window
7	396406-44	Cutting wide display window
8	396406-00	Extension table cup
9	396406-49	Upper knife press board
10	396406-36	Upper knife press shaft
11	396406-37	Upper knife press spring
12	396406-69	Set screw
13	396406-86	Set screw
14	396405-64	Spool stand
15	396419-05	Cone holder
16	396405-95	Back cover
17	396406-40	Thread guide plate
18	396405-72	Thread guide bar
19	396404-58	Extension bar
20	396405-67	Extension bar setting
21	396406-71	Set screw
22	396406-84	Set screw
23	396405-25	Side cover setting board
24	396406-70	Set screw
25	396406-87	Set screw
26	396406-89	Set screw
27	396407-00	Washer
28	396404-23	Rubber
29	396405-62	Micro switch contactor spring
30	396405-61	Micro switch contactor
31	396407-05	Wave washer



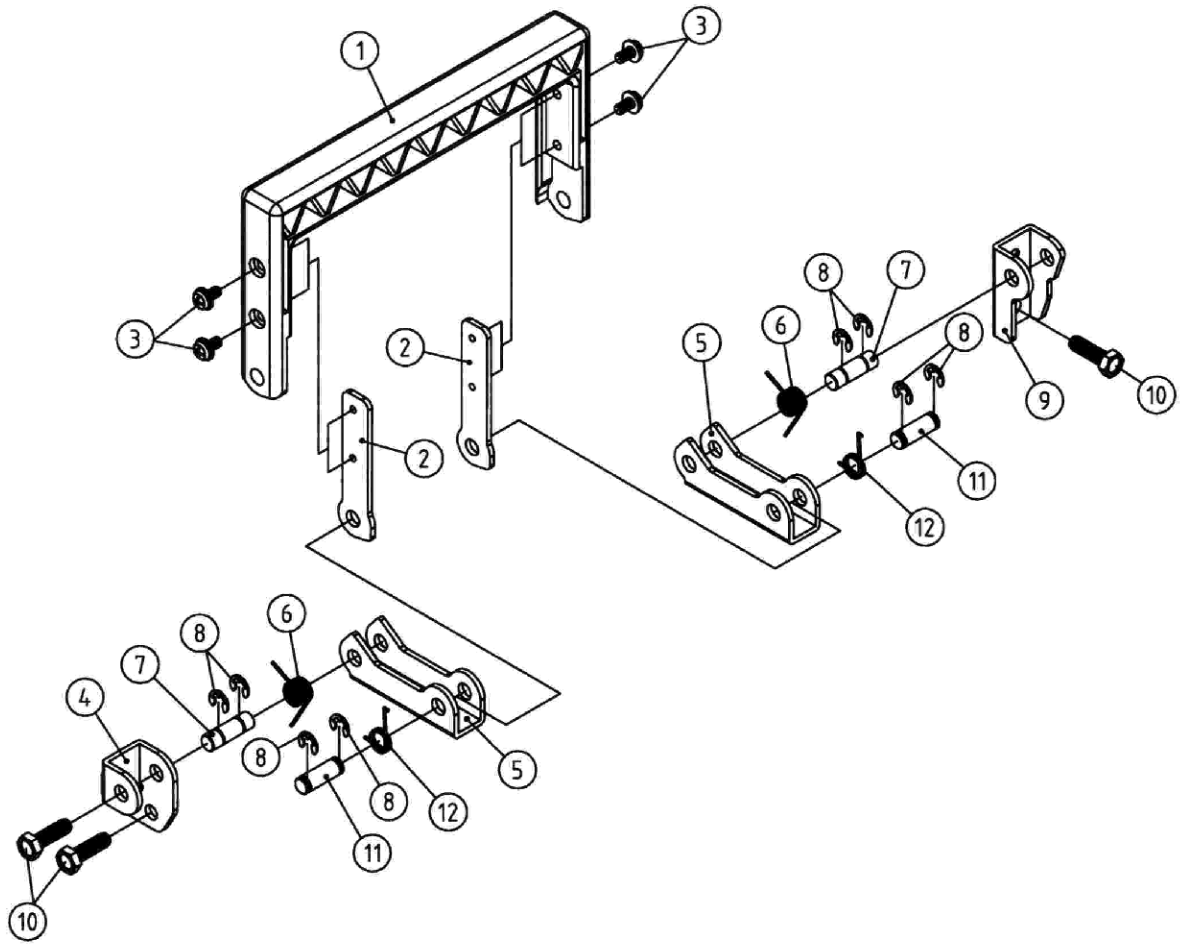
---

1	396404-77	Machine frame
2	396405-87	Set screw
3	396405-07	Lower knife
4	396405-04	Lower knife holder
5	396405-70	Lower knife holder bushing
6	396405-23	Cutting width knob shaft
7	396407-05	Wave washer
8	396406-41	Cutting width knob
9	396406-80	Set screw
10	396406-43	Lower knife dial
11	396406-70	Set screw
12	396405-88	Front feed dog guide board
13	396406-83	Set screw
14	396405-00	Stitch plate
15	396406-23	Fixed lever
16	396406-62	Set screw
17	396405-02	Moving lever
18	396405-91	Locating spring
19	396405-21	Moving lever holder
20	396406-63	Set screw
21	396405-71	Lower knife support
22	396406-64	Set screw
23	396405-38	Needle plate locating board support
24	396405-37	Needle plate locating board
25	396404-53	Moving lever cover
26	396404-08	Needle bar bushing
27	396405-82	Presser bar bushing
28	396405-01	Stitch plate set (No.14.15.16.17.18.19.20.25 included)
29	396404-28	Set screw
30	396406-72	Fixed board
31	396406-73	Feed dog holder guide board (front)
32	396407-55	Feed dog holder guide board (rear)
33	396406-45	Dial cup



---

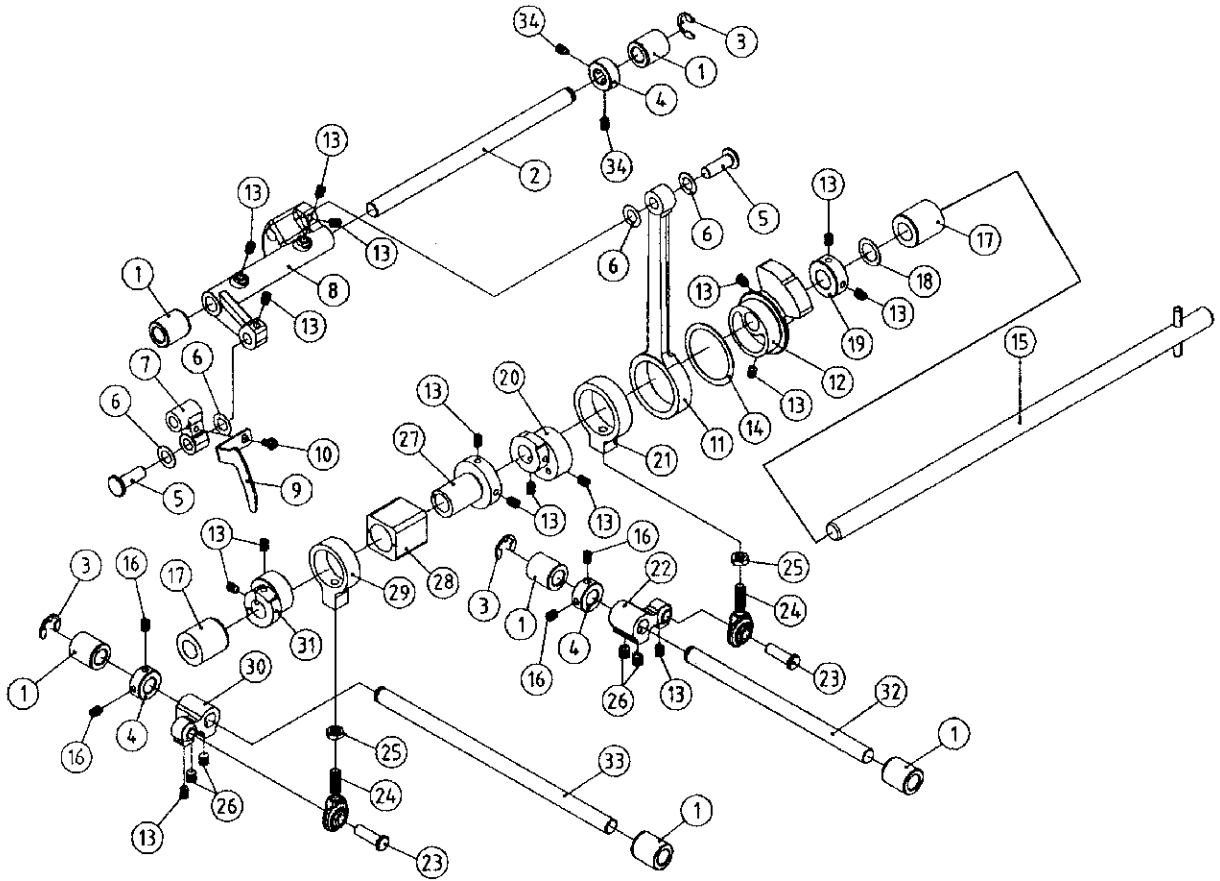
1	396405-50	Handle
2	396405-49	Handle holder
3	396406-76	Set screw
4	396405-51	Handle supporter (A)
5	396405-47	Handle link
6	396405-52	Handle spring (B)
7	396405-55	Handle link pin (B)
8	396404-70	E ring
9	396405-48	Handle supporter (B)
10	396406-93	Set screw
11	396405-53	Handle link pin (A)
12	396405-54	Handle spring (A)



---

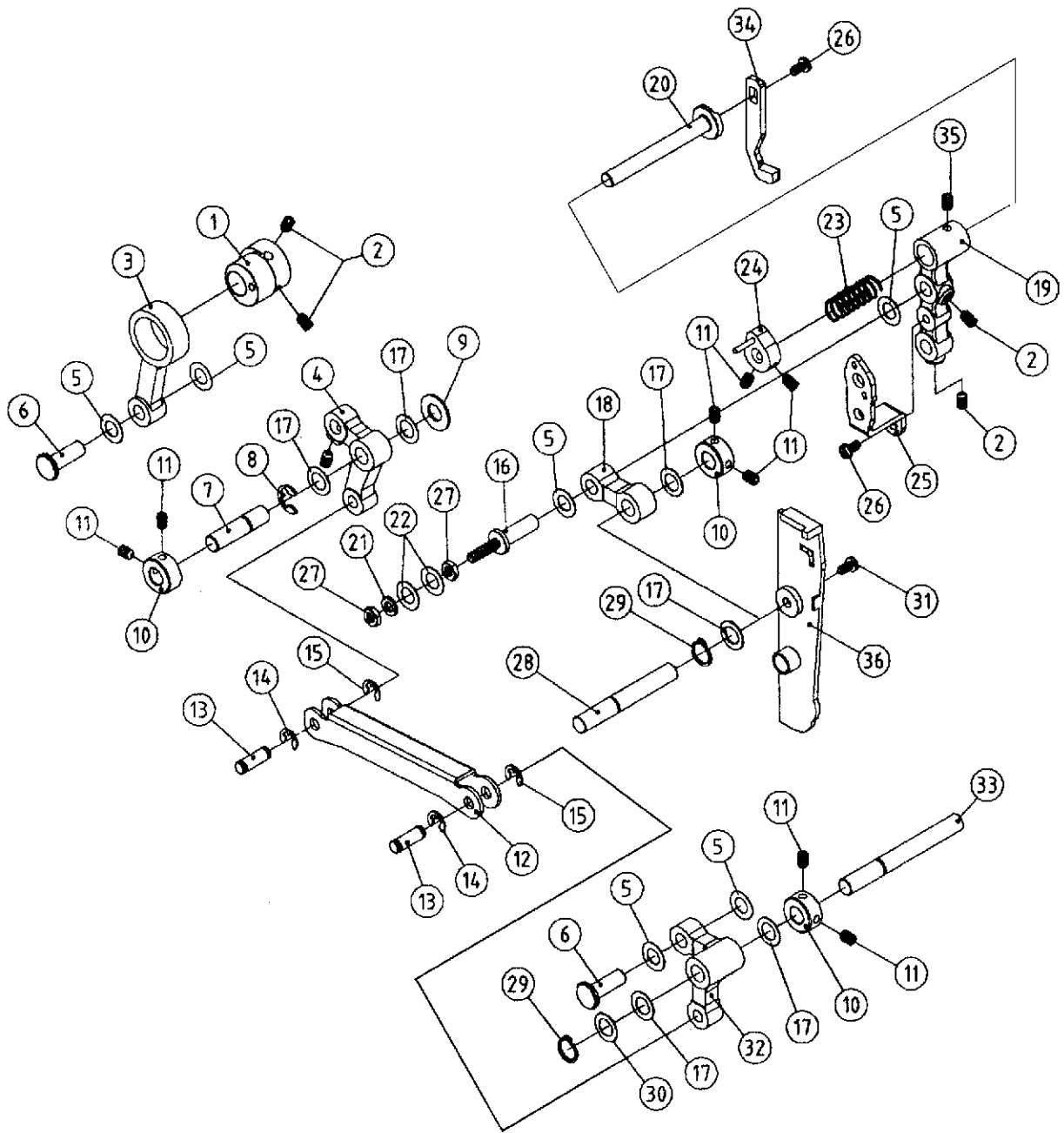
1	396404-82	Looper shaft bushing
2	396405-41	Needle bar link shaft
3	396404-73	E ring
4	396404-18	Setting collar
5	396404-14	Feed drive link pin (B)
6	396407-07	Washer
7	396405-17	Needle bar connecting arm
8	396406-39	Needle bar crank
9	396406-42	Needle bar thread take-up lever
10	396406-70	Set screw
11	396404-81	Needle bar connecting bar
12	396406-30	Needle bar cam
13	396406-81	Set screw
14	396407-13	Washer
15	396404-97	Main shaft set
16	396406-80	Set screw
17	396404-07	Main shaft bushing (B)
18	396407-12	Washer
19	396404-17	Setting collar
20	396404-25	Looper cam (A)
21	396404-02	Looper link
22	396404-79	Looper shaft link (A)
23	396404-12	Looper shaft link pin
24	396404-22	Bearing
25	396406-91	Nut
26	396406-92	Set screw
27	396404-83	Feed dog cam
28	396404-84	Feed dog supporter slide block
29	396404-78	Looper link (B)
30	396406-29	Looper shaft link (B)
31	396404-80	Lower looper cam
32	396406-32	Upper looper shaft
33	396406-33	Lower looper shaft





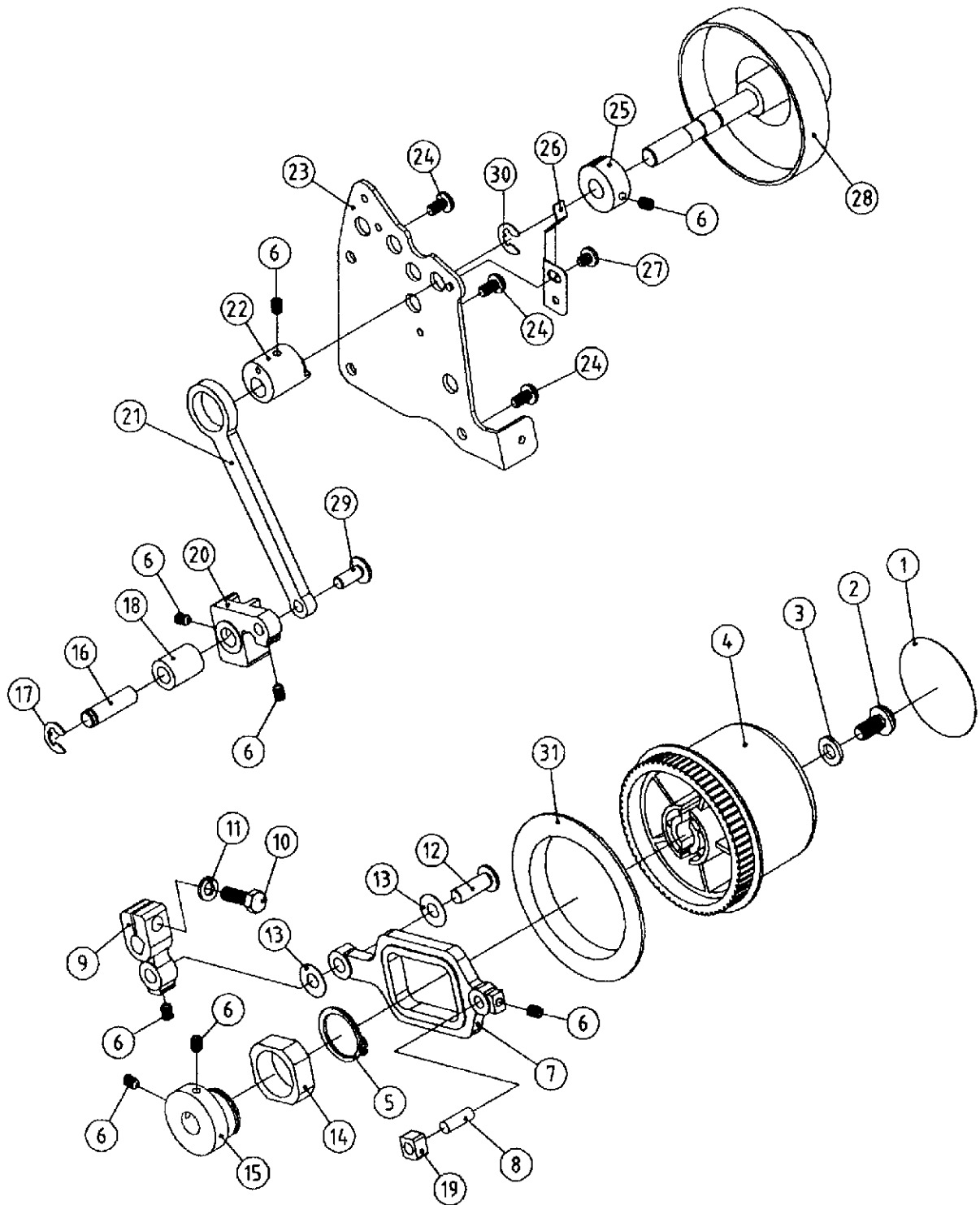
---

1	396405-13	Upper knife cam
2	396406-81	Set screw
3	396405-10	Upper knife shake link
4	396405-11	Upper knife shake arm
5	396407-07	Washer
6	396404-14	Feed drive link pin (B)
7	396405-65	Upper knife shake arm shaft
8	396404-73	E ring
9	396407-09	Washer
10	396404-16	Setting collar
11	396406-80	Set screw
12	396405-12	Upper knife link
13	396405-68	Upper knife link pin
14	396404-70	E ring
15	396404-71	E ring
16	396405-29	Upper knife arm shaft
17	396407-10	Washer
18	396405-05	Upper knife arm support bar
19	396405-06	Upper knife arm
20	396406-24	Upper knife holder
21	396407-01	Spring washer
22	396407-00	Washer
23	396405-26	Upper knife spring
24	396405-27	Upper knife setting collar
25	396405-28	Upper knife holder support
26	396406-83	Set screw
27	396406-79	Nut
28	396405-22	Upper knife arm support bar shaft
29	396404-63	C ring
30	396407-08	Washer
31	396406-70	Set screw
32	396405-09	Upper knife arm drive arm
33	396405-30	Upper knife shake arm shaft
34	396405-08	Upper knife
35	396406-65	Set screw
36	396406-26	Upper knife set cover



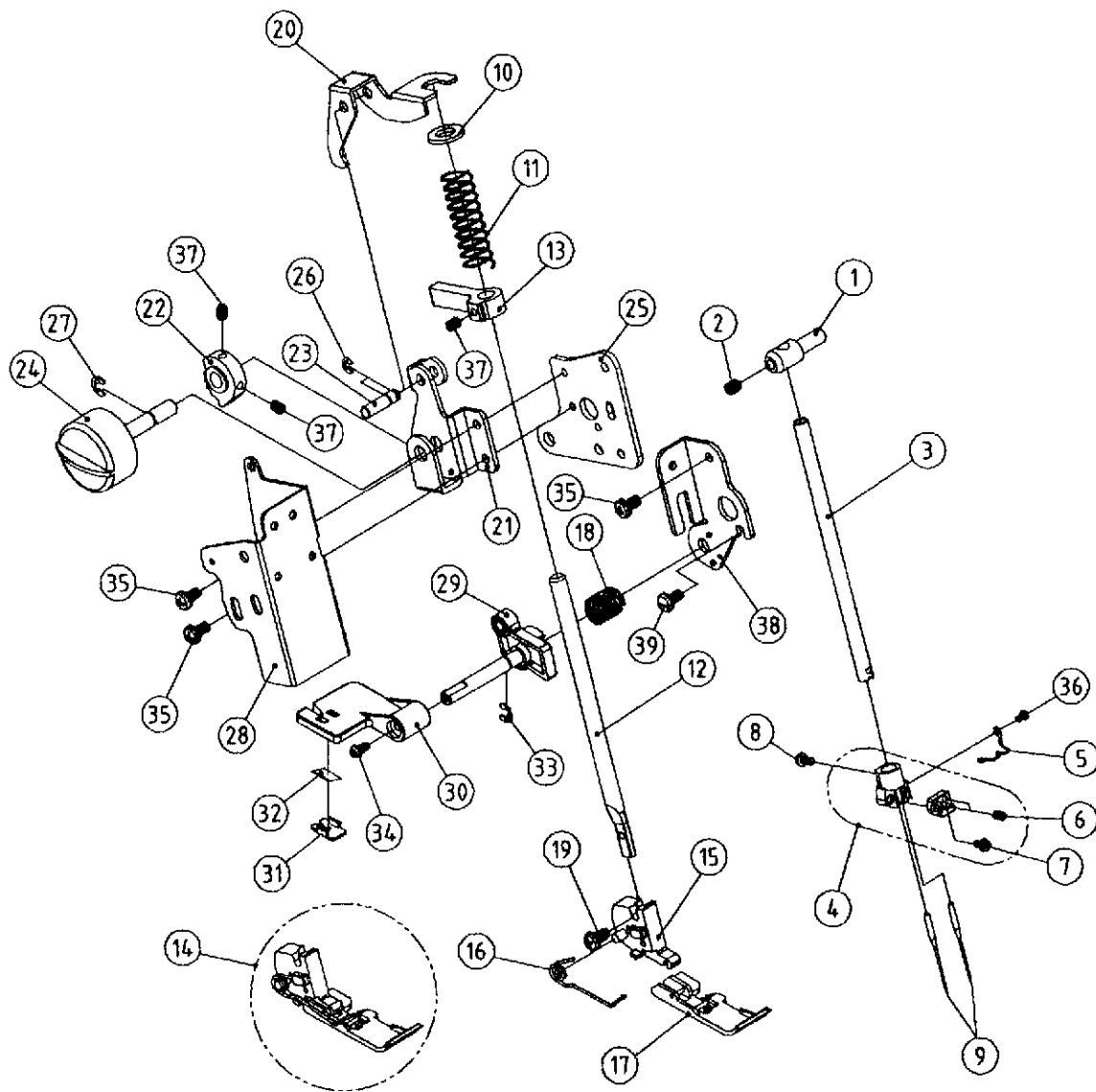
---

1	396404-21	Hadweheel decorate plate
2	396406-96	Set screw
3	396407-06	Washer
4	396406-31	Handwheel
5	396404-66	C ring
6	396406-81	Set screw
7	396404-05	Feed drive link
8	396404-13	Feed drive link pin(A)
9	396405-39	Feed link
10	396406-94	Set screw
11	396407-04	Spring washer
12	396404-14	Feed drive link pin (B)
13	396407-07	Washer
14	396404-04	Feed cam slide block
15	396404-06	Feed cam
16	396404-15	Feed regulate holder shaft
17	396404-72	E ring
18	396404-09	Feed regulate holder bushing
19	396405-20	Feed slide block
20	396405-19	Feed slide holder
21	396404-03	Feed regulate link
22	396405-18	Feed regulate cam
23	396406-21	Feed regulate holder
24	396406-83	Set screw
25	396405-84	Locating collar
26	396405-75	Locating spring
27	396406-90	Set screw
28	396406-35	Stitch length dial
29	396404-11	Feed regulate link pin
30	396404-73	E ring
31	396404-62	Handwheel setting collar



---

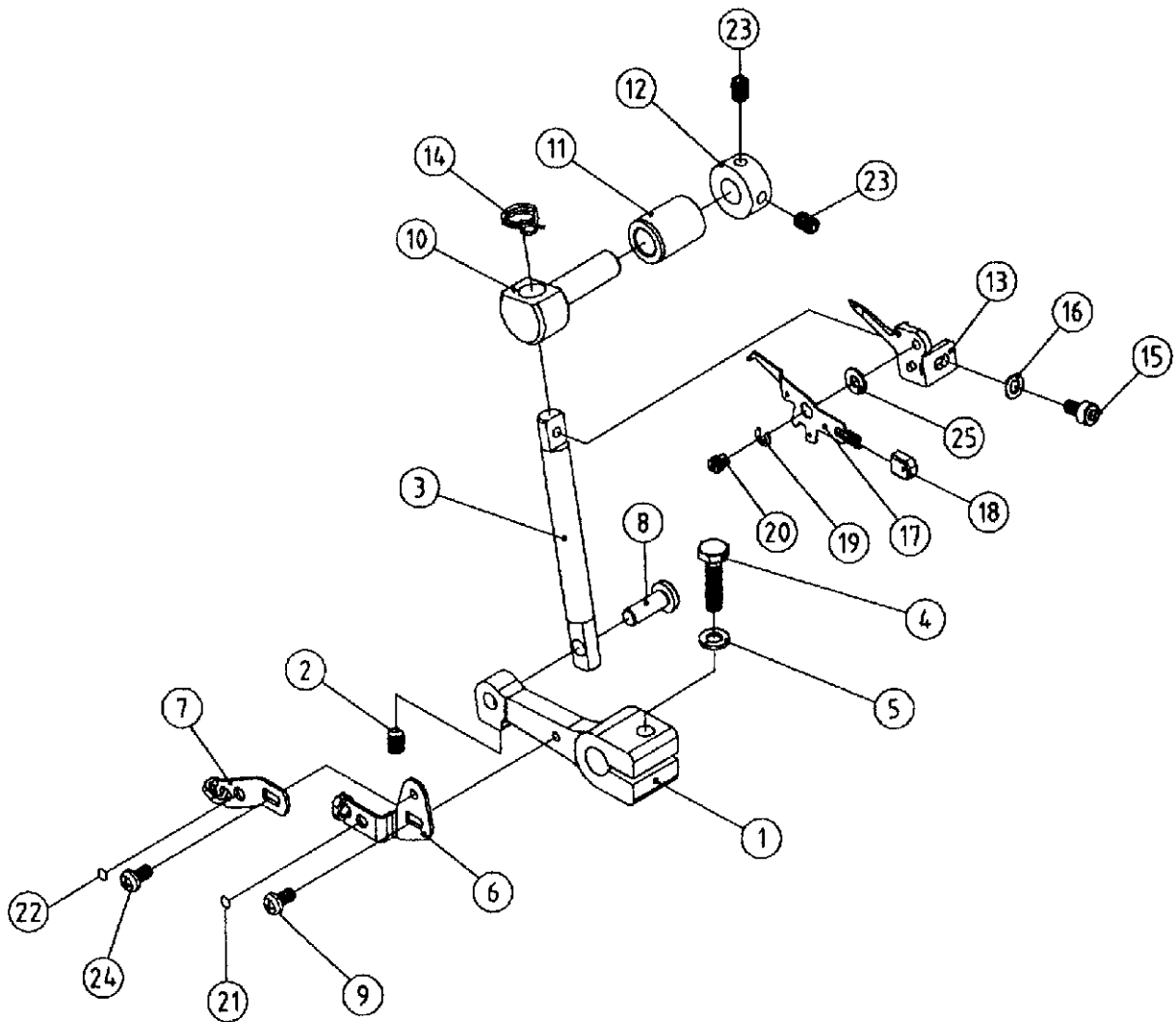
1	396405-16	Needle bar setting link
2	396406-92	Set screw
3	396405-89	Needle bar
4	396404-75	Needle clamp complete set
5	396404-20	Needle clamp thread guide
6	396406-66	Set screw
7	396406-68	Set screw
8	396404-00	Set screw
9	396404-27	Needle
10	396407-09	Washer
11	396406-50	Presser bar spring
12	396405-83	Presser bar
13	396406-07	Presser bar setting link
14	396419-47	Presser foot complete set
15	396404-26	Presser foot holder
16	396405-76	Presser footspring
17	396419-46	Presser foot
18	396406-11	Presser bar lifter spring
19	396404-01	Set screw
20	396405-42	Needle bar locate board
21	396405-43	Needle bar locate support
22	396405-44	Needle bar locate cam
23	396405-45	Needle bar locate pin
24	396406-34	Presser bar dial
25	396406-06	Support setting board
26	396404-70	E ring
27	396404-73	E ring
28	396405-46	Bulb holder
29	396406-14	Press bar lifter
30	396406-08	Press bar setting board
31	396406-09	Thread cutting setting board
32	396406-55	Thread cutting
33	396404-72	Ering
34	396406-70	Set screw
35	396406-83	Set screw
36	396406-62	Set screw
37	396406-81	Set screw
38	396406-04	Press bar lifter holder
39	396405-87	Set screw



---

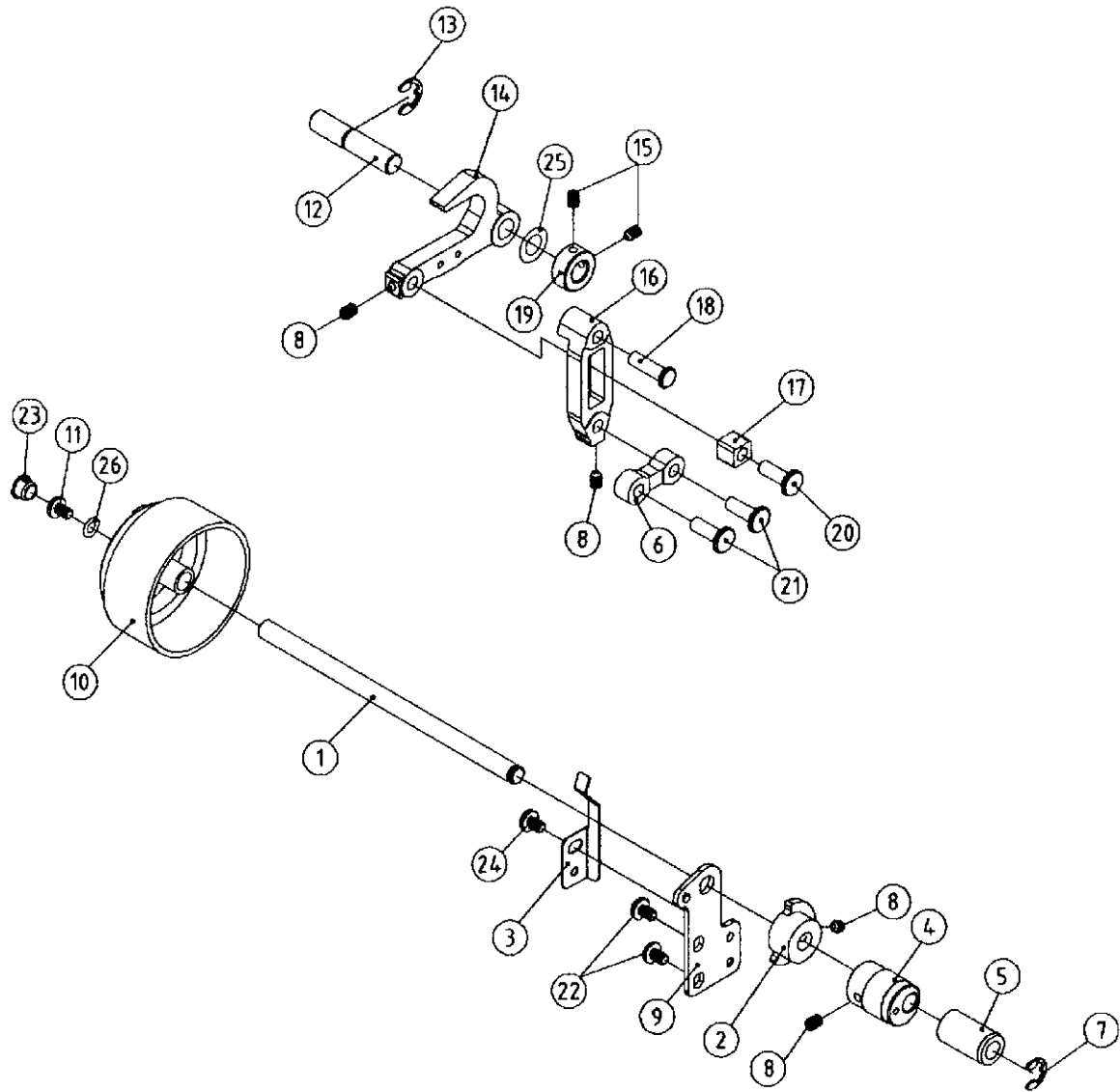
1	396406-22	Upper looper connecting arm
2	396406-81	Set screw
3	396405-80	Slide shaft
4	396406-88	Set screw
5	396407-01	Spring washer
6	396405-69	Upper looper thread take-up lever
7	396405-73	Lower looper thread take-up lever
8	396405-92	Slide shaft pin
9	396406-70	Set screw
10	396405-14	Slide shaft holder
11	396405-15	Slide shaft holder bushing
12	396404-16	Setting collar
13	396405-78	Upper looper
14	396405-86	Upper looper threading guide
15	396406-74	Set screw
16	396406-97	Washer
17	396405-79	Two thread converter
18	396404-53	Moving lever cover
19	396404-68	E ring
20	396405-81	Two thread converter shaft
21	396406-99	Color sticker (green)
22	396404-24	Color sticker (yellow)
23	396406-80	Set screw
24	396406-63	Set screw
25	396406-97	Washer





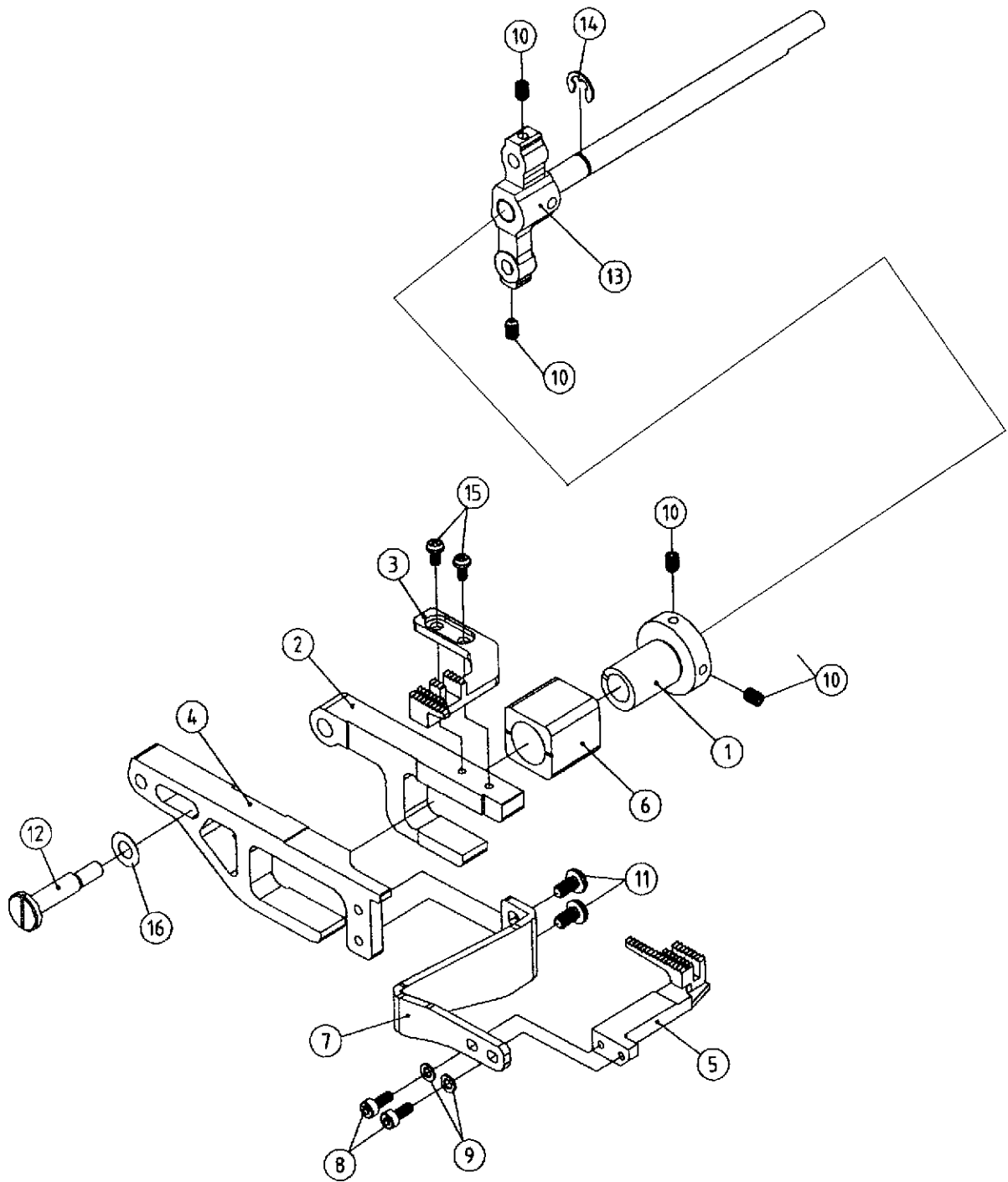
---

1	396406-25	D.F. shaft
2	396405-74	D.F. locating collar
3	396405-75	D.F. dial locating spring
4	396404-93	D.F. regulate cam
5	396404-30	D.F. dial bushing
6	396404-88	D.F. link bar
7	396404-72	E ring
8	396406-81	Set screw
9	396405-40	D.F. dial support
10	396406-46	D.F. dial
11	396406-70	Set screw
12	396404-94	D.F. regulate shaft
13	396404-73	E ring
14	396404-92	D.F. regulate support
15	396406-80	Set screw
16	396404-86	D.F. slide support
17	396404-87	D.F. slide block
18	396404-95	Feed dog holder pin
19	396404-18	Setting collar
20	396404-12	D.F. slide block pin
21	396404-91	D.F. link pin
22	396406-83	Set screw
23	396406-45	Dial cup
24	396406-90	Set screw
25	396407-11	Washer
26	396406-97	Washer



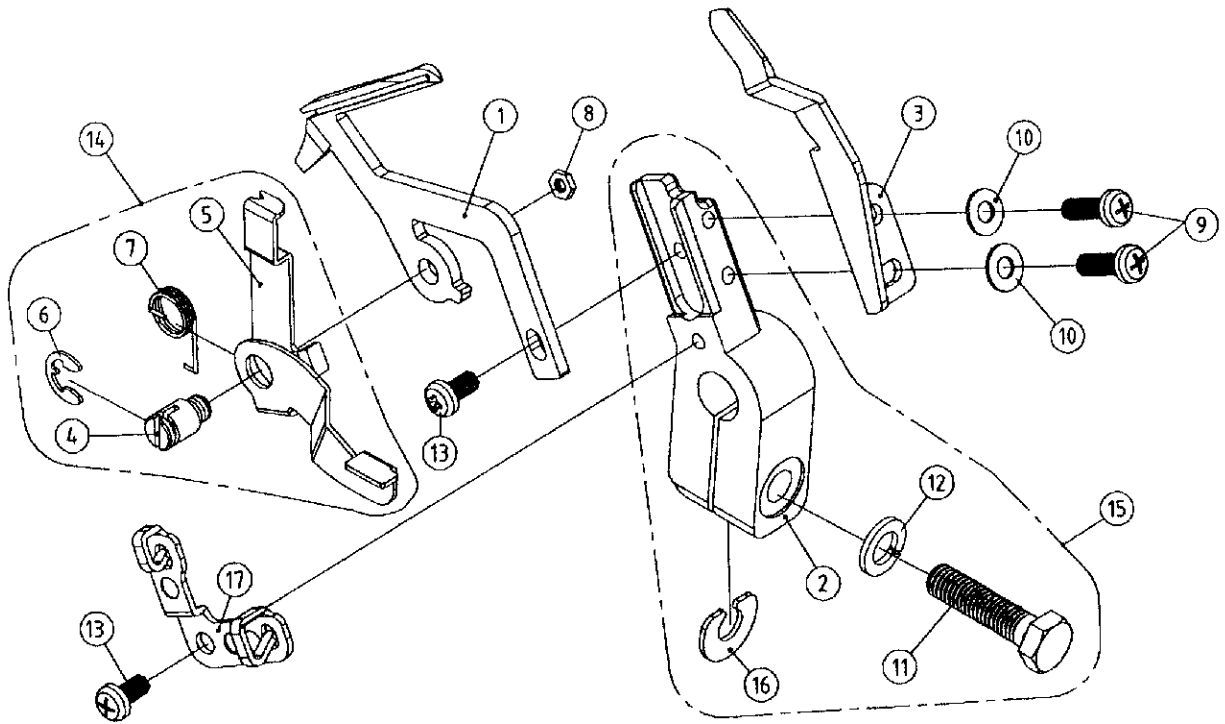
---

1	396404-83	Feed dog cam
2	396404-85	Feed dog holder (rear)
3	396404-98	Feed dog (rear)
4	396404-90	Feed dog holder (front)
5	396404-99	Feed dog (front)
6	396404-84	Feed dog supporter slide block
7	396405-03	Feed dog supporter (front)
8	396406-74	Set screw
9	396406-98	Washer
10	396406-81	Set screw
11	396406-82	Set screw
12	396404-96	Feed dog holder pin
13	396404-89	Feed dog shaking rod complete set
14	396404-74	E ring
15	396406-75	Set screw
16	396407-02	Washer



---

1	396405-36	Lower looper
2	396405-34	Lower looper supporter
3	396405-77	Lower looper protect board
4	396405-33	Auto threader shaft
5	396405-31	Auto threader
6	396404-70	E ring
7	396404-29	Auto threader spring
8	396406-53	Nut
9	396406-75	Set screw
10	396406-98	Washer
11	396406-95	Set screw
12	396407-04	Spring washer
13	396406-75	Set screw
14	396405-32	Auto threader complete set
15	396405-35	Lower looper supporter set
16	396405-90	Washer
17	396405-85	Lower looper thread guide

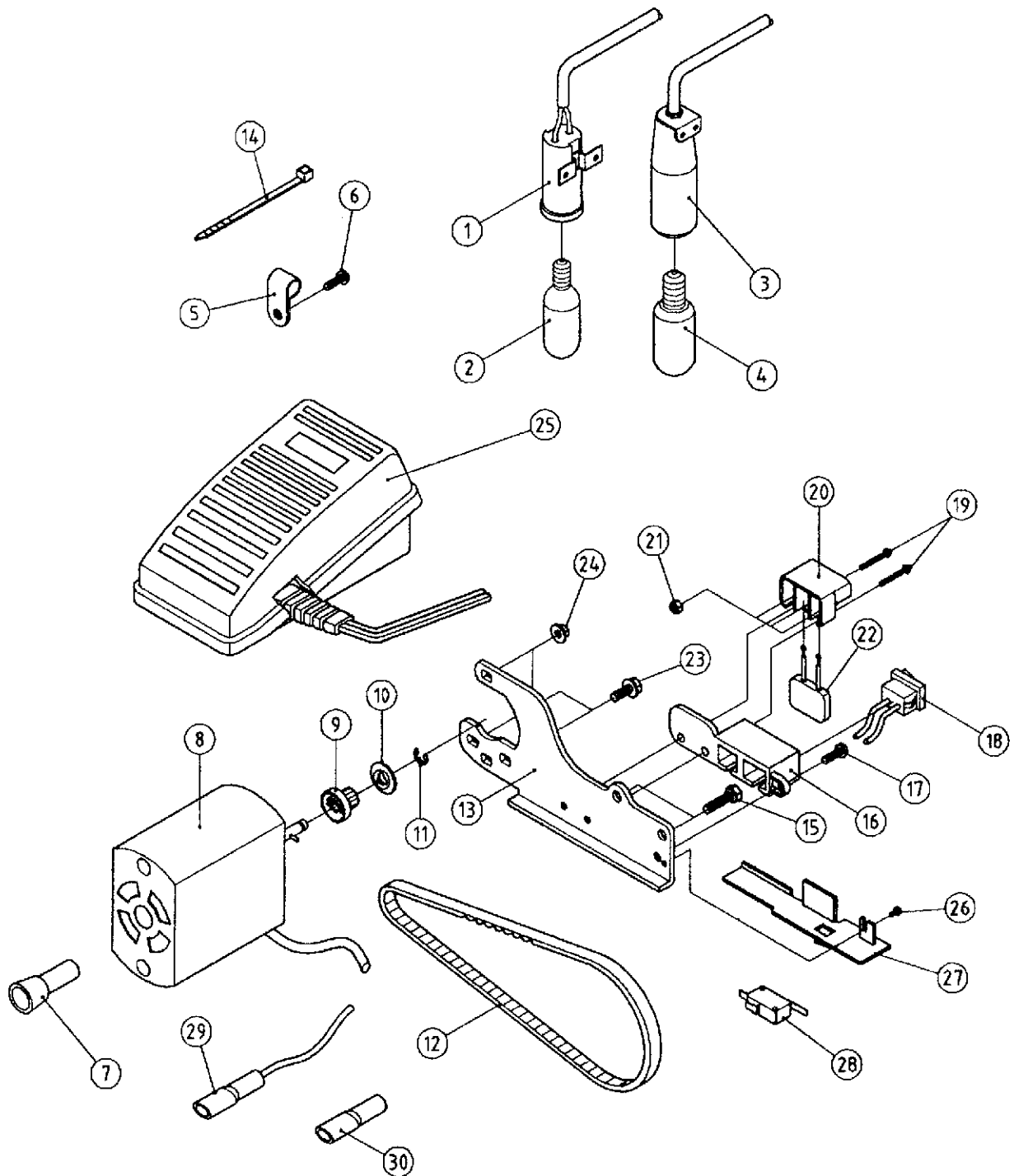


---

1	396407-14	Lighting set (100V)
1	396407-15	Lighting set (120V)
2	396419-04	Bulb (120V)
2	396419-49	Bulb (100V)
3	396407-16	Lighting set (240V) (Available for 220V/230V/240V)
4	396419-03	Bulb (240V) (Available for 220V/230V/240v)
5	396407-17	HW(1/4) cord clip
6	396406-83	Set screw
7	396407-18	C4 End terminal
8	396407-19	Motor (100V)
8	396407-20	Motor (120V)
8	396407-21	Motor (220V)
8	396407-22	Motor (230V)
8	396407-23	Motor (240V)
9	396407-24	Timing belt pulley
10	396407-25	Timing belt pulley cover
11	396407-26	E ring
12	396407-27	Timing belt
13	396407-28	Motor supporter
14	396407-29	Cord clip
15	396407-30	Set screw
16	396407-31	Switch supporter
17	396407-32	Set screw
18	396407-33	Switch
19	396407-34	Set screw
20	396407-35	Machine socket
21	396407-36	Nut
22	396407-37	Condenser
22	396407-38	Condenser (100V)
23	396407-39	Set screw
24	396407-40	Nut
25	396407-41	Foot controller (100V) JP
25	396407-42	Foot controller (120V) UL
25	396407-43	Foot controller (220V) ZA
25	396407-44	Foot controller (220V) KR
25	396407-45	Foot controller (220V) (Middle East)
25	396407-46	Foot controller (230V) CEE
25	396407-47	Foot controller (240V) UK
25	396407-48	Foot controller (240V) AUS/NZ
26	396407-49	Set screw
27	396407-50	Micro switch insulation plate
28	396407-51	Micro switch
29	396407-52	Terminal w/transparent insulation tube
30	396407-53	Terminal w/un-transparent insulation tube

---





---

1	396419-40	Chip box
2	396419-41	Accessories box
3	396419-15	Dust cover
4	396419-42	Cone holder
5	396419-43	Foam pad
6	396419-44	Hexagon driver
7	396419-08	Tweezers
8	396002-27	Needle *3
9	494680-20	Needle threader
10	396419-45	Cleaning brush
11	396419-12	Hexagon wrench
12	396419-11	Screw driver
13	396405-08	Upper knife
14	396419-48	Spool caps
15	396419-07	Net
16	396419-10	Oiler
17	396400-21	Instruction manual Ger (not shown)
17	396400-22	Instruction manual Eng (not shown)
17	396400-27	Instruction manual Fr (not shown)
17	396400-35	Instruction manual Slo (not shown)
18	396419-25	Optional feet kit (not shown)
19	396419-31	Shirring foot (not shown)
20	396419-32	Bead/Siquin foot (not shown)
21	396419-33	Cording foot (not shown)
22	396419-34	Taping foot (not shown)
23	396419-35	Blind hem foot (not shown)
24	396419-36	Elastic foot (not shown)
25	396419-37	Carton box (not shown)
25	396407-64	Carton box NECCHI (not shown)
26	396419-38	Styrofoam (not shown)

