

PIÈCES DE RECHANGE
ERSATZTEILE
SPARE PARTS
PIEZAS DE RECAMBIO

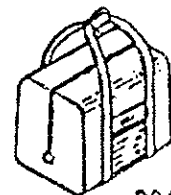
elna 604^F 614^Z 624^Z

MODIFICATIONS OF SPARE PARTS CATALOGUE 396 900-40

ELNA 604 614 624

- Page 1 : TAV. No. for
10760 = **396'018-99**
10806 = **396 019-00**
10807 = **396'019-01**
- Page 4 : TAV. No. for
5200 = **396'019-11**
- Page 11 : Correct TAV. No. for
10782 = **396'001-70** and not 396'003-67
10783 = **396'001-71** and not 396'003-68
10784 = **396'160-72** and not 396'009-69
- Page 12 : Correct designation for :
4597 (396'001-28) is : **Tape guide with cording**

Suppress No. 4736 and add
TAV. No. **396'001-62**
also on the illustration
Correct designation is :
Carrying bag (suppress: not shown)



396001-62

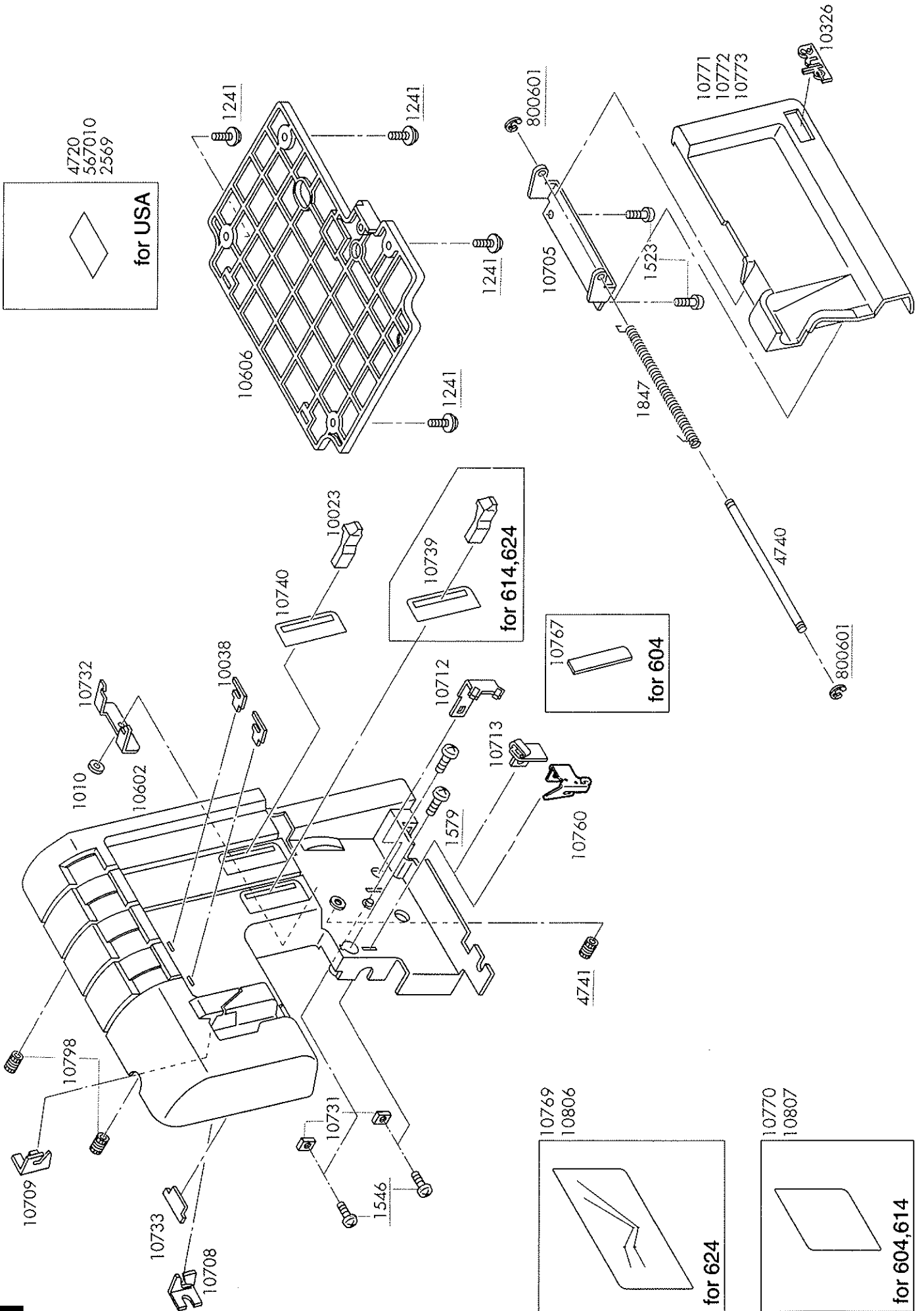
Correct designation for :
10352 (396'001-81) is : **Attachment holder (2)**

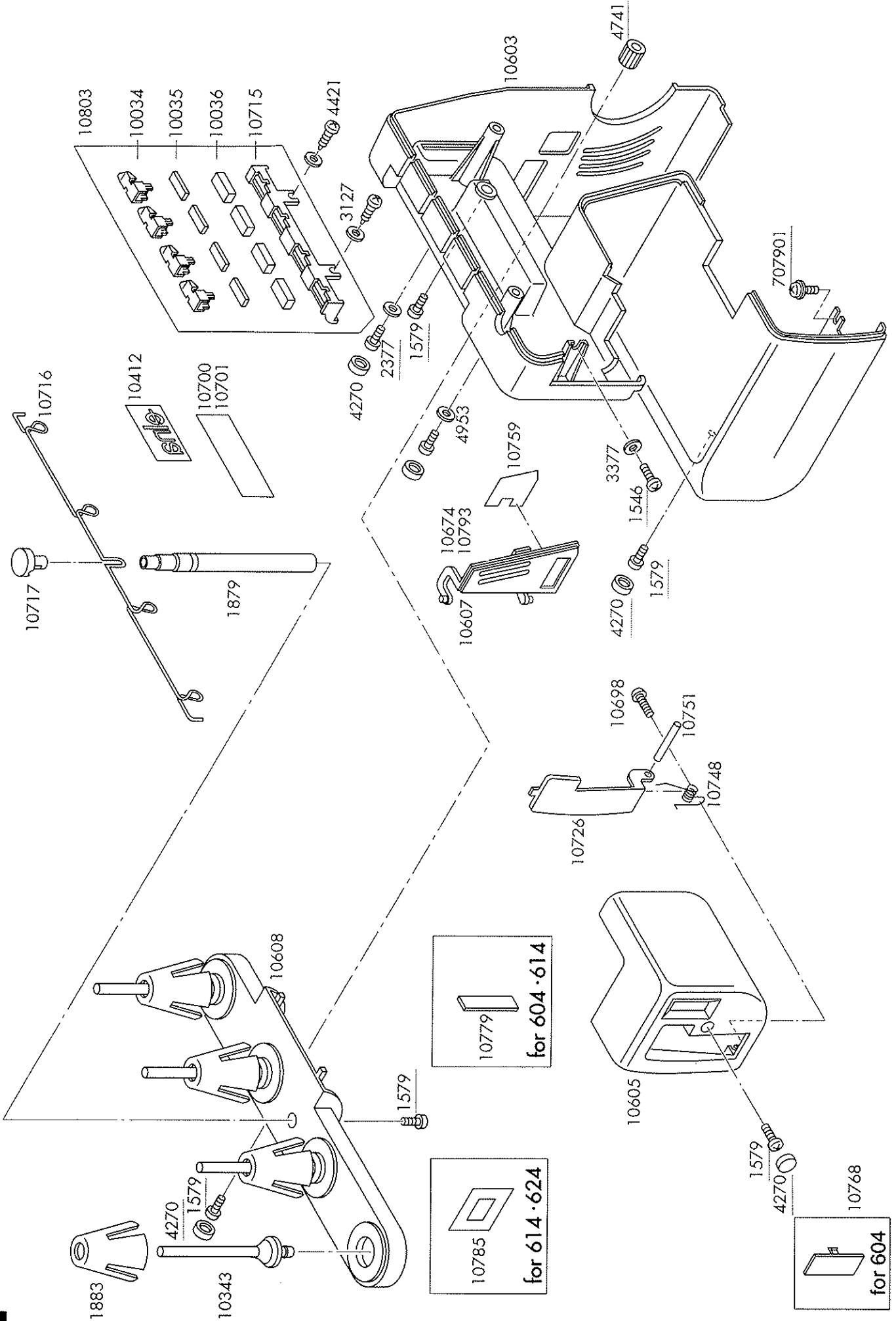
Correct designation for :
10360 (396'001-85) is : **Tape guide cording (new
version)**

July 1995

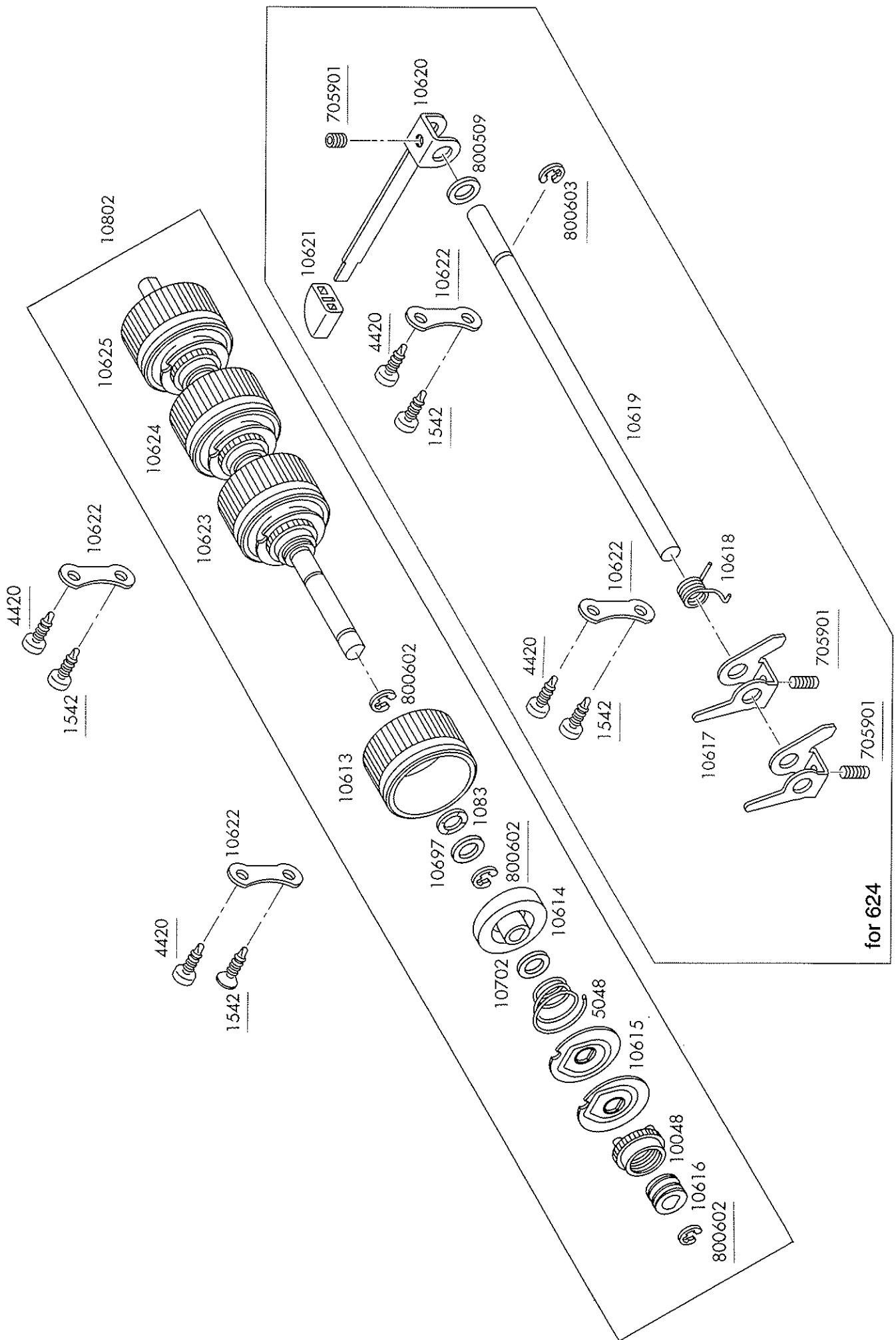
INDEX

- | | | |
|-----|--|--|
| 1. | Front cover, front door, base plate | |
| 2. | Rear / side covers, spool stand and antenna | |
| 3. | Tension unit | |
| 4. | Motors, foot-controls, cords and light bulbs | |
| 5. | Casing | |
| 6. | Presser bar, presser foot lever, needle bar, upper shaft | |
| 7. | Hand wheel, motor belt, mainshaft, eccentrics and counterweights | |
| 8. | Upper / lower loopers, looper axles and arm | |
| 9. | Feed assembling system, moving and fixed blades | |
| 10. | Feed-dogs, needle plate, instant rolled hem device | |
| 11. | Standard accessories | |
| 12. | Optional accessories and attachments | |
| 13. | Parts number index | |



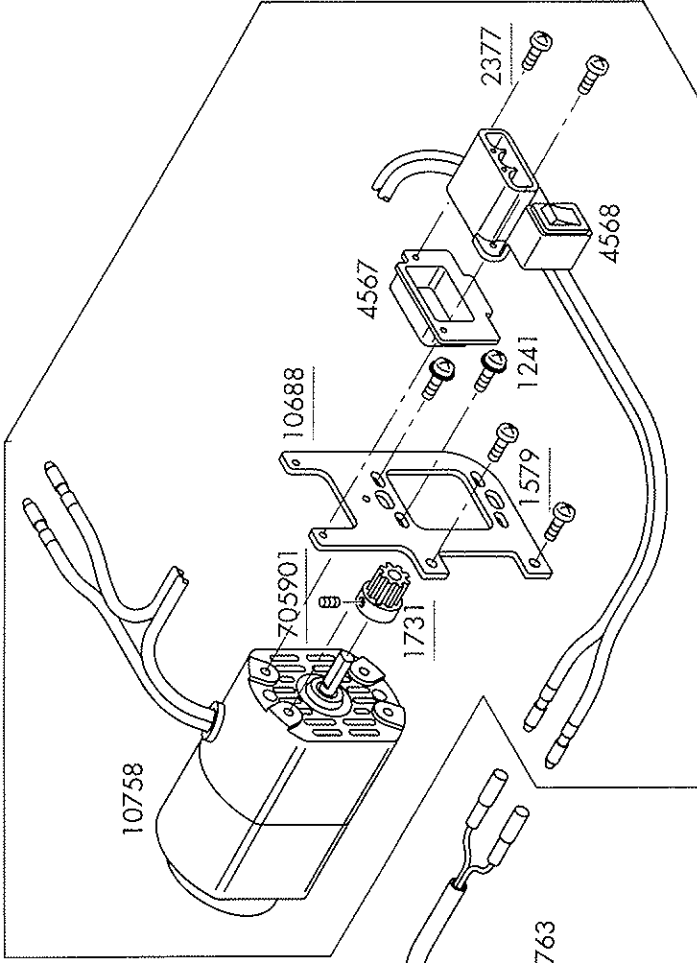


PART NO. TAVARO NO.		NAME OF PART	PART NO. TAVARO NO.	NAME OF PART	PART NO. TAVARO NO.	NAME OF PART
1546	395052-37	Screw M4x6				
1579	395052-57	Screw M4x10				
1879	396015-44	Thread guide pole				
1883	396002-10	Spool holder				
2377	396004-75	Screw M3x8				
3127	396007-09	Washer 3x8x0.5				
3377	396008-47	Washer 4x8x0.8				
4270	396010-72	Cap φ 8 white				
4421	396011-39	Tapping screw M3x8.5				
4741	396018-77	Screw SP M4x7.4				
4953	396012-58	Washer 2.7x6.5x0.5				
10034	396015-53	Top thread guide plate ,upper				
10035	396015-54	Top thread guide, bottom				
10036	396015-55	Top thread guide, cushion				
10343	396015-61	Spool pin, snap-on				
10412	396015-62	elna mark for back cover				
10603	396017-67	Back cover				
10605	396017-68	Side cover				
10607	396017-69	Lamp cover				
10608	396017-70	Spool pin base				
10674	396017-71	Reflex plate for Canada				
10698	396018-04	Tapping screw M4x6P				
10700	396017-72	Serial number plate, 120V				
10701	396017-73	Serial number plate, 240V				
10715	396018-80	Top thread guide, base				
10716	396017-74	Thread guide beam				
10717	396017-75	Pole/beam joint				
10726	396017-76	Moving blade release lever				
10748	396017-77	Moving blade release lever spring				
10751	396017-78	Moving blade release lever conn. pin				
10759	396017-79	Reflex plate				
10768	396017-80	Cutting width dial cap				
10779	396017-81	D.T. release lever cap				
10785	396017-82	Cutting width indication line				
10793	396017-83	Reflex plate for U.S.A.				
10803	396017-84	Thread guide stand, assem.				
707901	395430-00	Screw TPM 4x8				

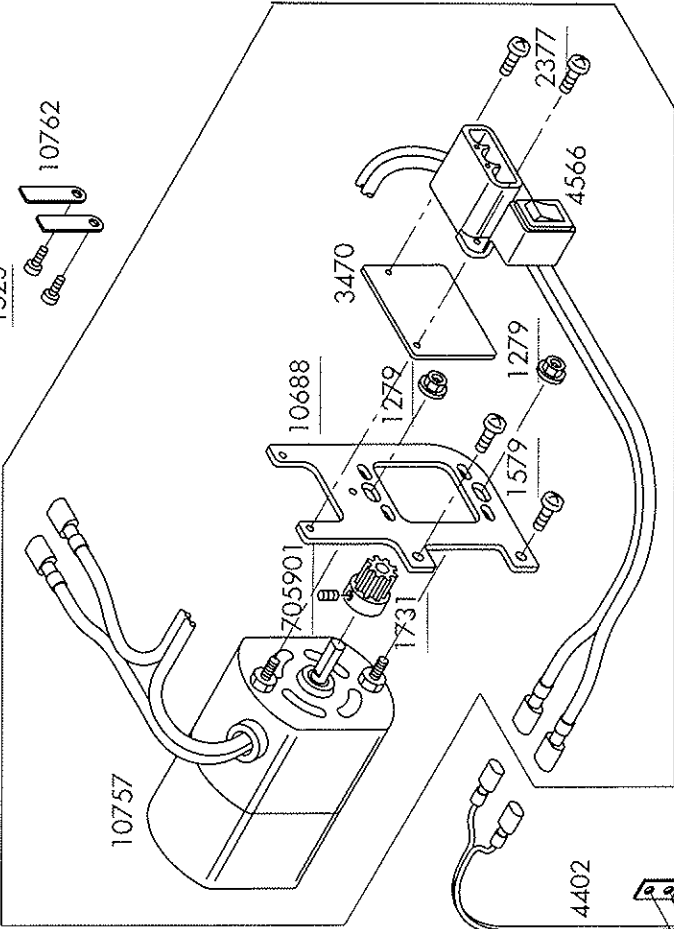


PART NO. TAVARO NO.	NAME OF PART	PART NO. TAVARO NO.	NAME OF PART	PART NO. TAVARO NO.	NAME OF PART
1542	Flash screw M4x8	395052-34			
1083	Friction washer 6x14x0.15	395047-24			
4420	Tapping screw M4x8P	396011-38			
5048	Tension spring ϕ 1	396012-95			
10048	D.T. nut	396014-93			
10613	Tension knob, blue	396018-81			
10614	D.T. cam	396018-82			
10615	Tension discs	396018-83			
10616	D.T. screw	396018-84			
10617	Tension release crank	396018-58			
10618	Tension release lever spring	396018-59			
10619	Tension release axle	396018-60			
10620	Tension release lever	396018-61			
10621	Tension release lever tip	396018-62			
10622	Tension support plate	396018-63			
10623	Tension knob, red	396018-85			
10624	Tension knob, yellow	396018-86			
10625	Tension knob, green	396018-87			
10697	Washer ϕ 6x10.5x0.5	396018-88			
10702	Poly washer ϕ 8x2.5	396018-89			
10802	D.T., assem.	396018-64			
705901	Grub screw M4x5	395421-00			
800509	Polyslider thrust washer 9.5x6.2x0.5	395462-00			
800602	Snap ring #4	395465-00			
800603	Snap ring #5	395466-00			

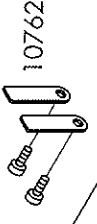
10804



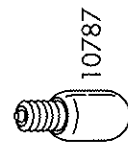
10805



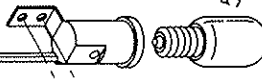
1523



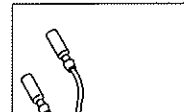
3920



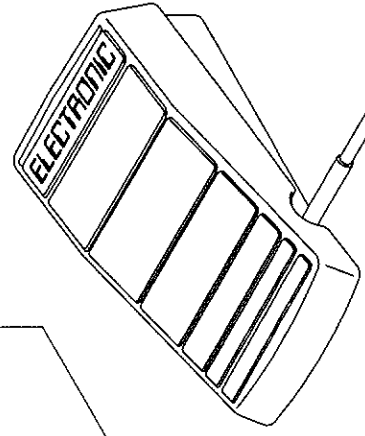
4402



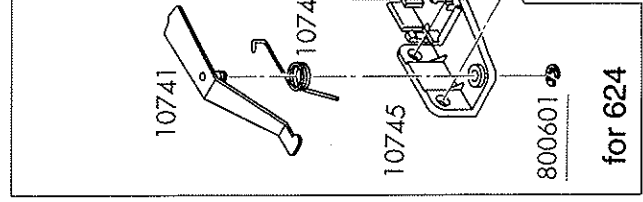
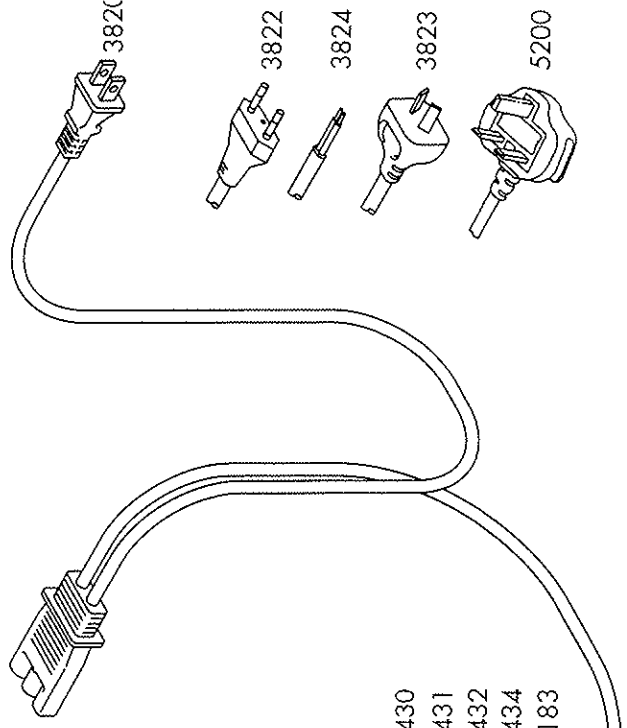
4459



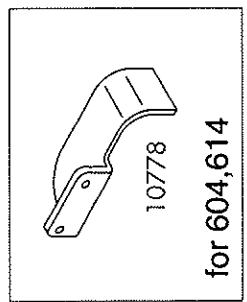
522005-1



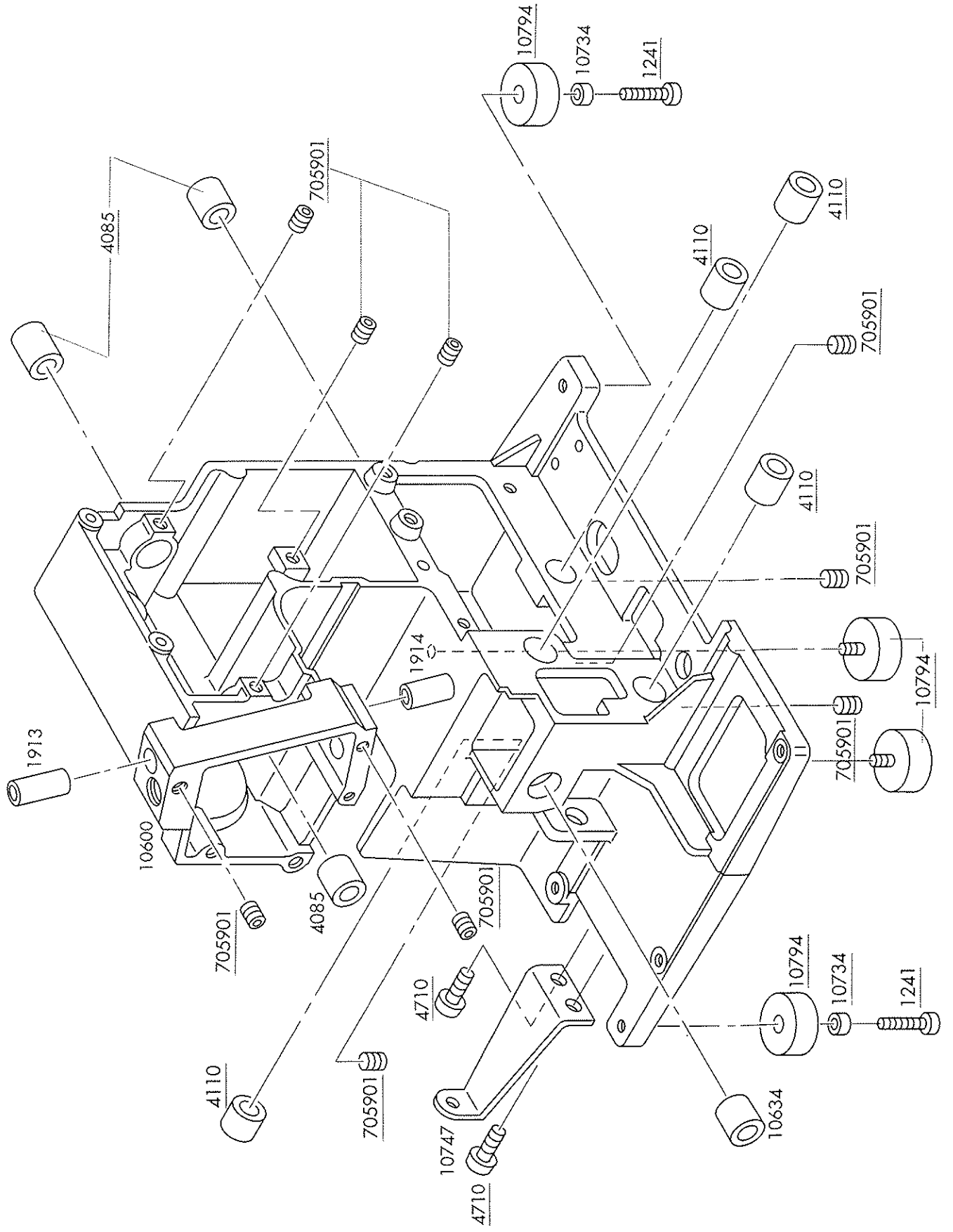
4430
4431
4432
4434
5183



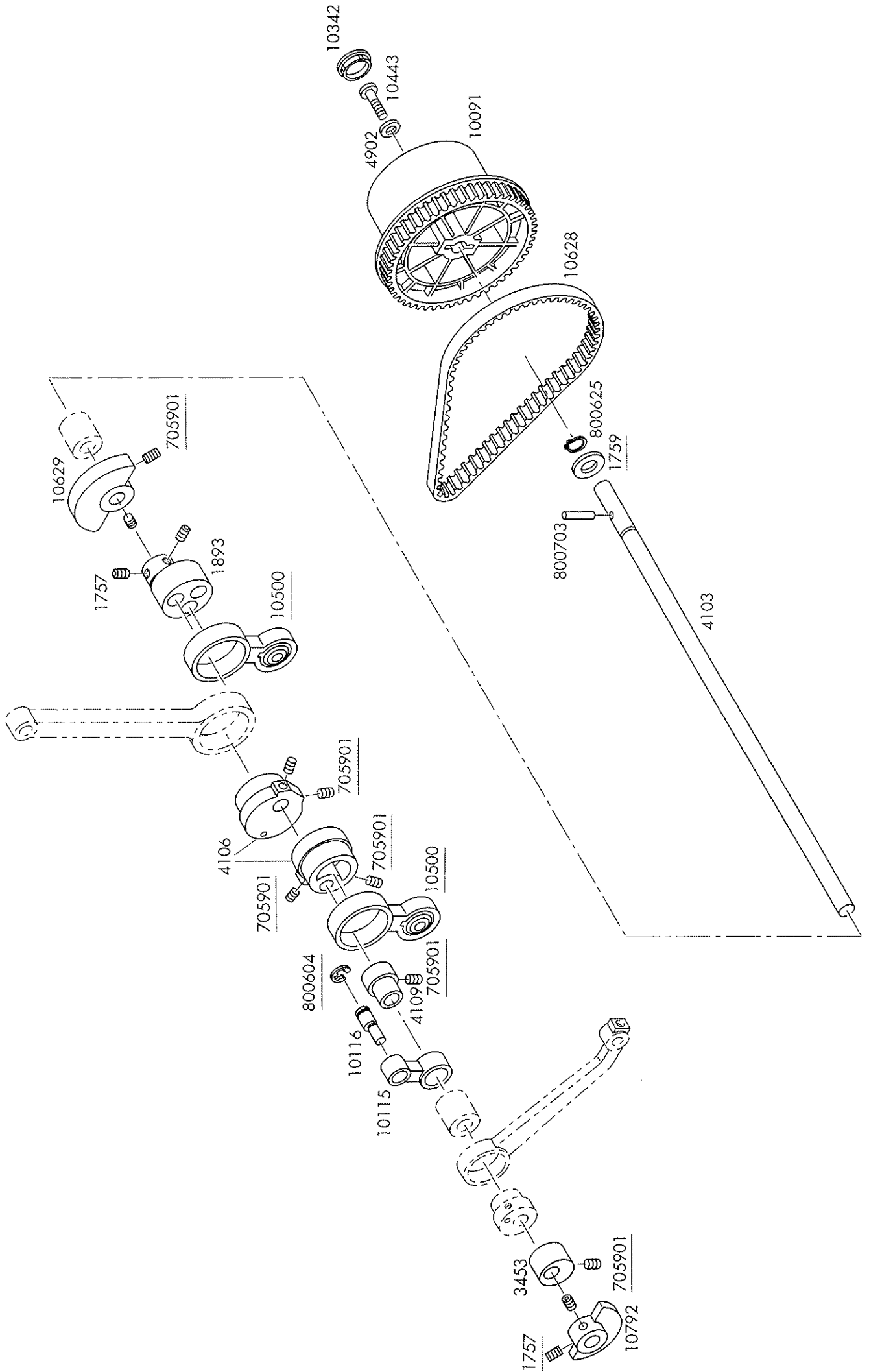
for 624



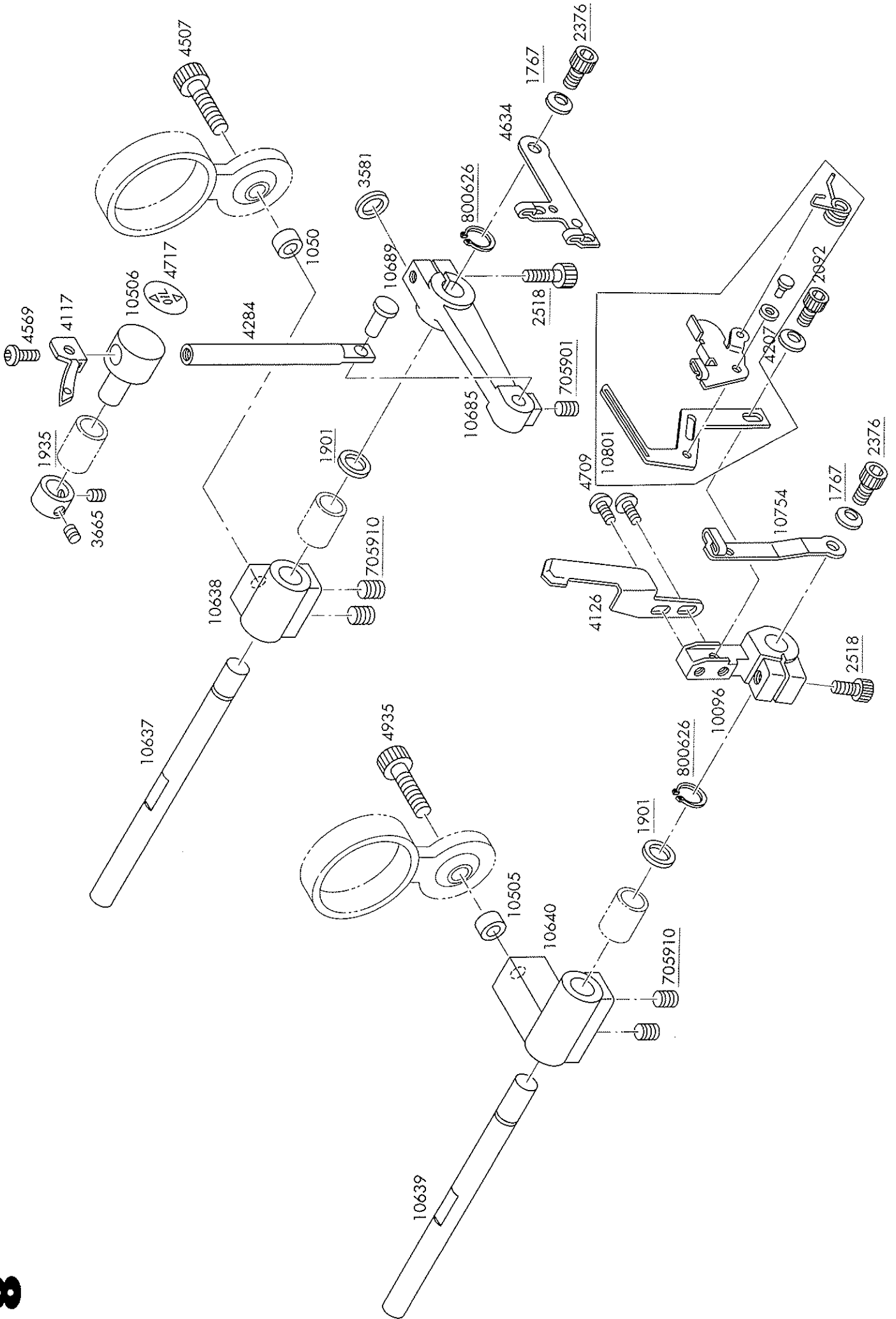
for 604,614



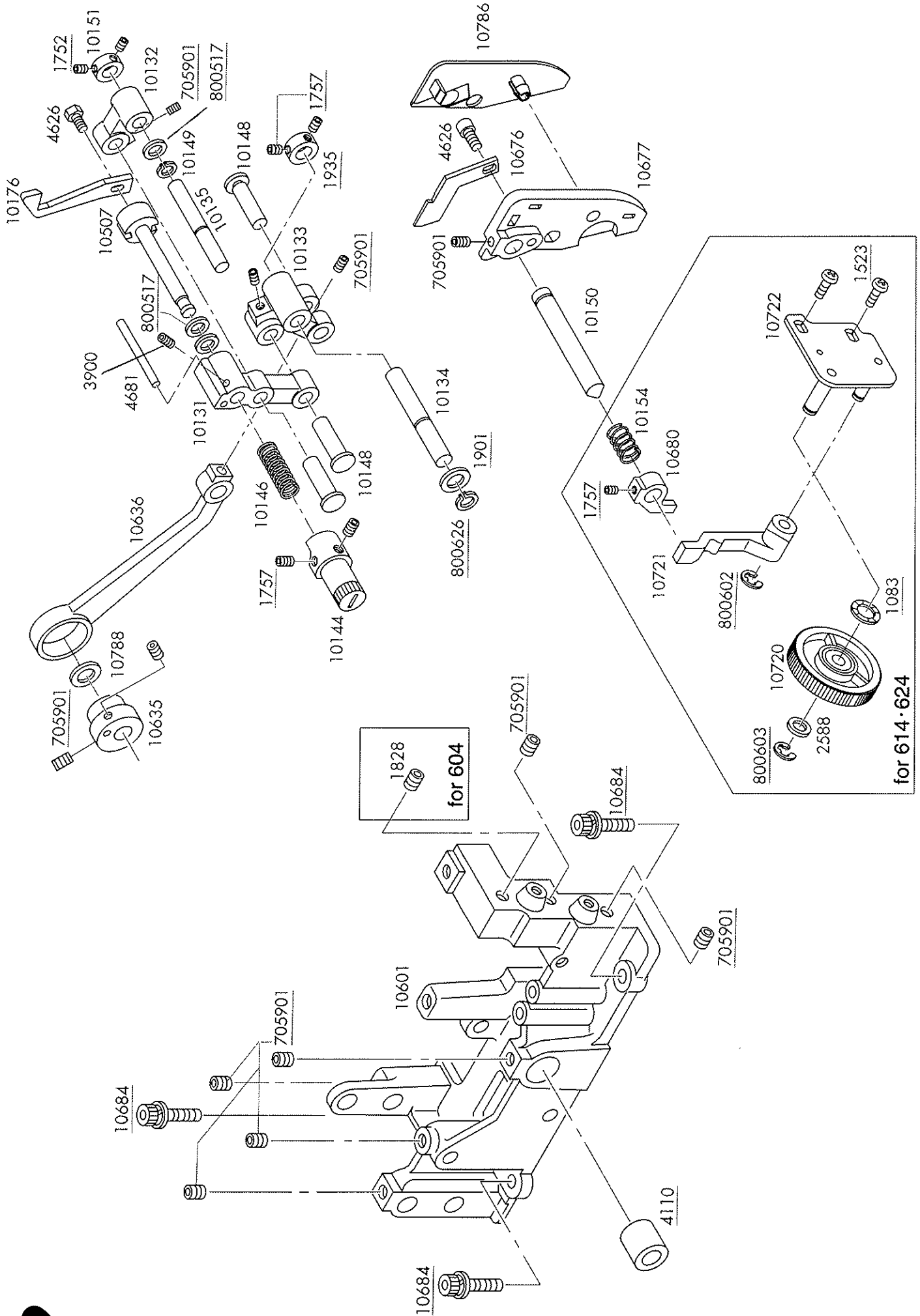
PART NO. TAVARO NO.	NAME OF PART	PART NO. TAVARO NO.	NAME OF PART	PART NO. TAVARO NO.	NAME OF PART
1241	395049-19		Screw - TPM4x10		
1913	396003-67		Upper needle bar bearing		
1914	396003-68		Lower needle bar bearing		
4085	396009-69		Bearing		
4110	396009-90		Looper axle bearing		
4710	396012-29		Hexagon bolt M4x6		
10600	396017-50		Casing		
10634	396017-51		Bearing		
10734	396017-52		Spacer M4x3.5		
10747	396017-53		Back cover bracket support		
10794	396017-54		Rubber foot		
705901	395421-00		Grub screw M4x5		

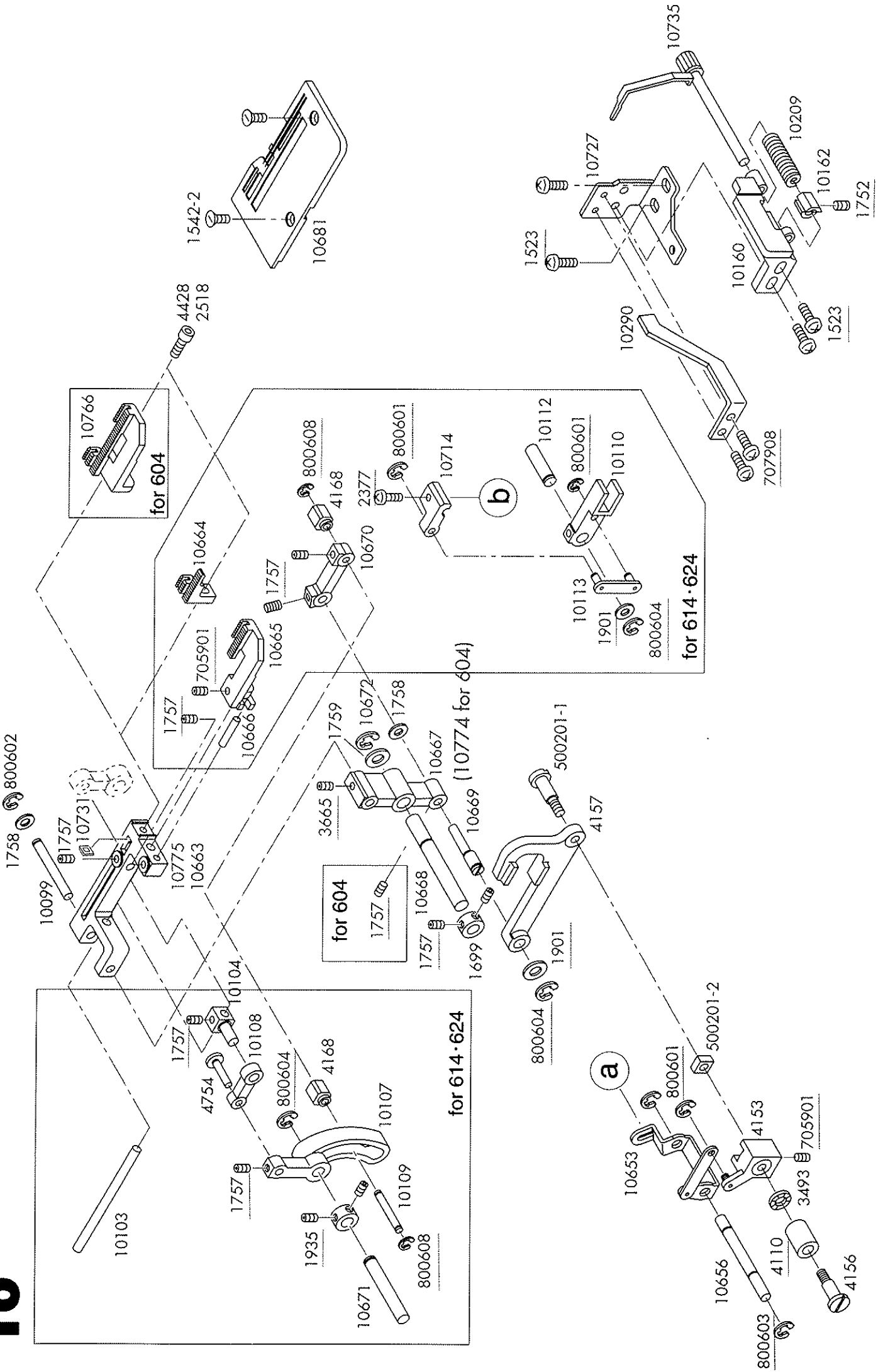


PART NO.	TAVARO NO.	NAME OF PART	PART NO.	TAVARO NO.	NAME OF PART	PART NO.	TAVARO NO.	NAME OF PART
1757	395053-63	Grub screw M4x4						
1759	395053-65	Washer STW-FM 8x1						
1893	396003-47	Looper rod eccentric						
3453	396007-62	Feed cam						
4103	396009-83	Main shaft						
4106	396009-86	Crank cam						
4109	396009-89	Feed eccentric						
4902	396014-05	Washer M4x12x1						
10091	396014-10	Handwheel						
10115	396014-12	Feed eccentric						
10116	396015-85	Feed dog conn. pin						
10342	396014-18	Handwheel cap						
10443	396014-19	Screw M4x16 pan head						
10500	396014-20	Ball rod assem.						
10628	396017-55	Belt XL128						
10629	396017-56	Pulley balance weight						
10792	396017-57	Balance weight, left						
705901	395421-00	Grub screw M4x5						
800604	395467-00	Snap ring #6						
800625	395128-23	Clip ring #8						
800703	395054-44	Roll pin 3x16						

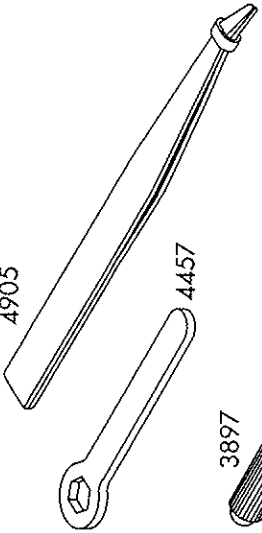


PART NO. TAVARO NO.	NAME OF PART	PART NO. TAVARO NO.	NAME OF PART
1767	Conical washer 8x4x0.4		
1901	Washer STW-FT 7x1		
1935	Collar ϕ 7		
2092	Allen screw M3x8		
2376	Allen screw M4x6		
2518	Allen screw M4x12		
3581	Washer 4x7x0.8		
3665	Grub screw M4x3		
4117	Upper loop		
4126	Overlock needle guard		
4207	Conical washer 3x7		
4284	Upper loop shaft		
4507	Allen screw M5x18 P		
4569	Allen screw M4x8 Pan		
4634	Take up lever - right		
4709	Allen screw M3x6		
4717	Oil mark rod		
4935	Allen screw M5x18		
10096	Lower loop support		
10505	Spacer M5x3		
10506	Upper loop shaft guide		
10637	Upper loop axle		
10638	Upper loop axle rocker		
10639	Lower loop axle		
10640	Lower loop axle rocker		
10685	Upper loop arm (4)		
10689	Upper loop shaft pin		
10754	Lower loop take-up lever		
10801	Lower loop assm.		
705901	Grub screw M4x5		
705910	Screw		
800626	Clip ring #7		



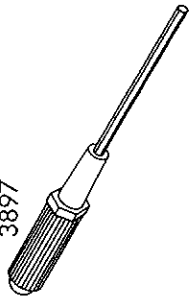


4905

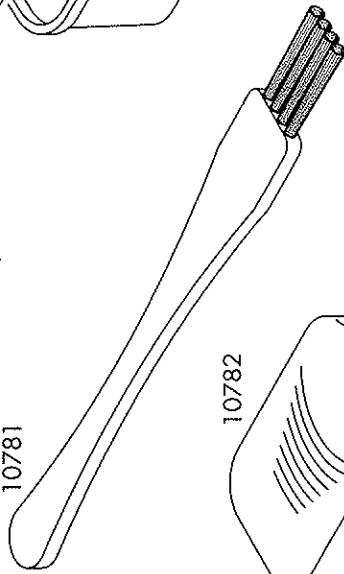


4457

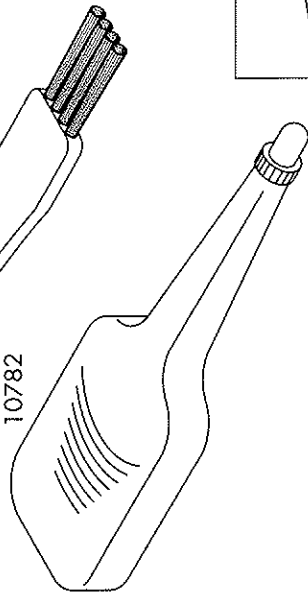
3897



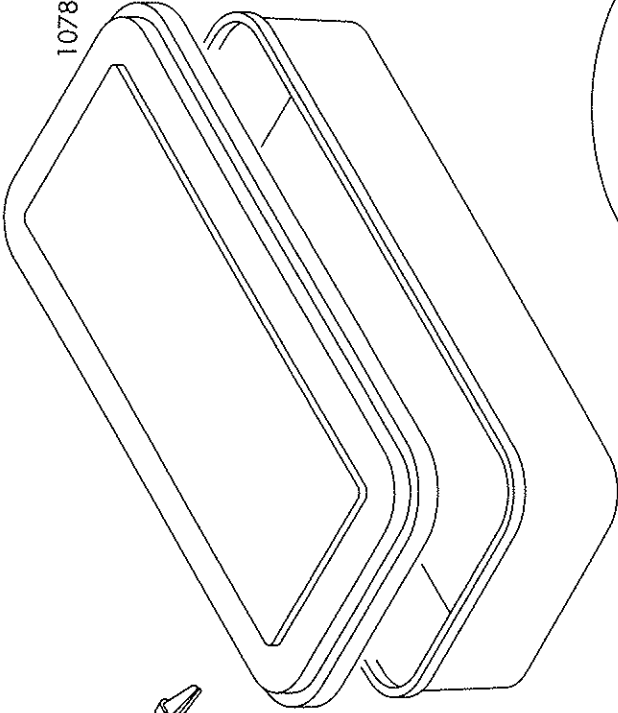
10781



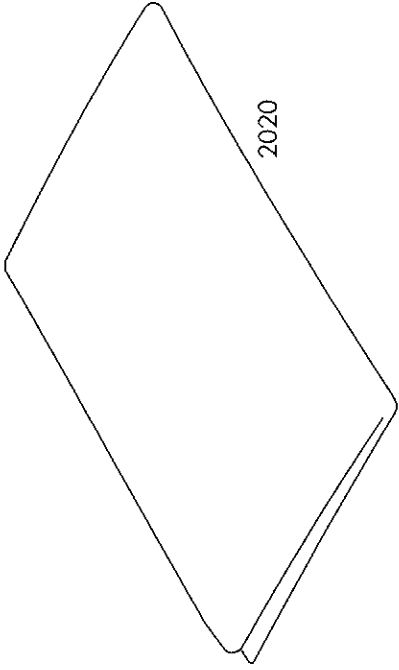
10782



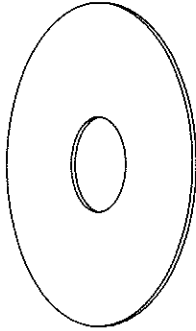
10780



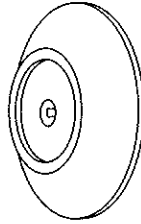
2020



4460



2015

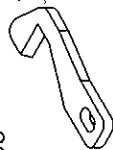


4424

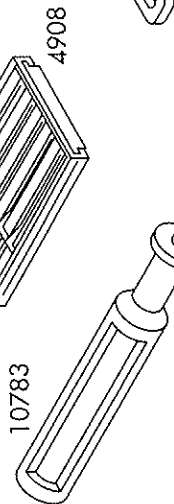
for 624



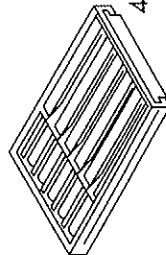
10176



10783



4908

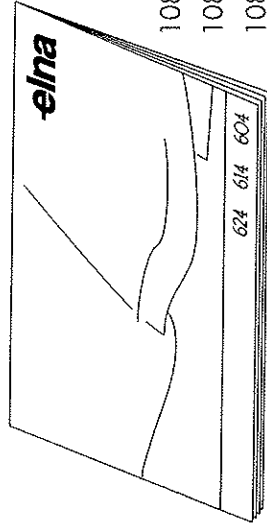


10810 10813

10811 10815

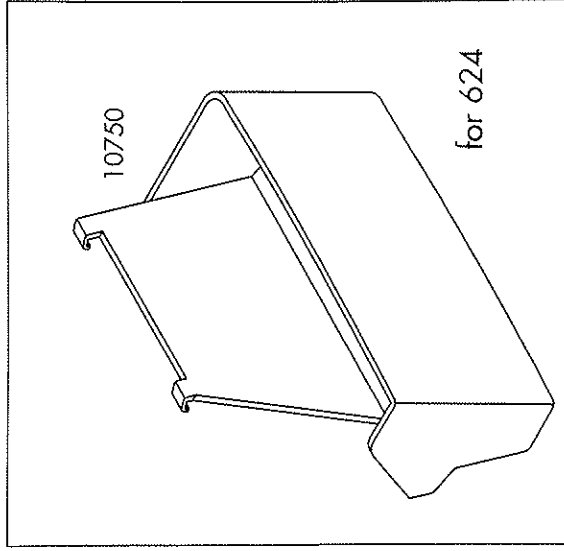
10812 10816

10814



10750

for 624

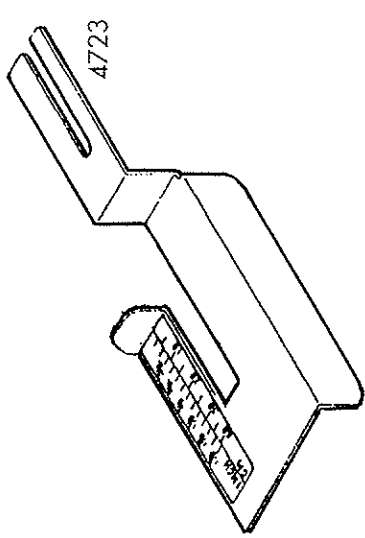
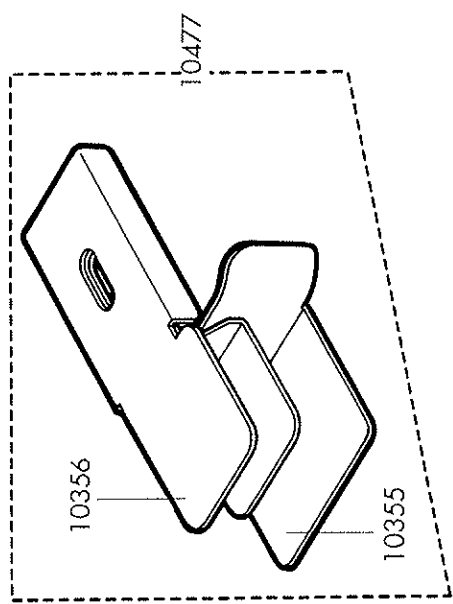
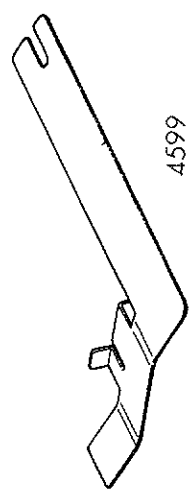
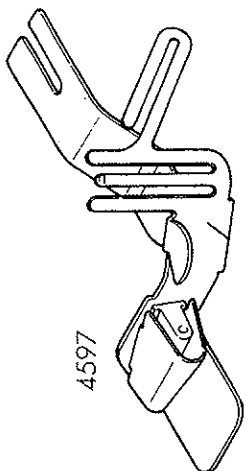
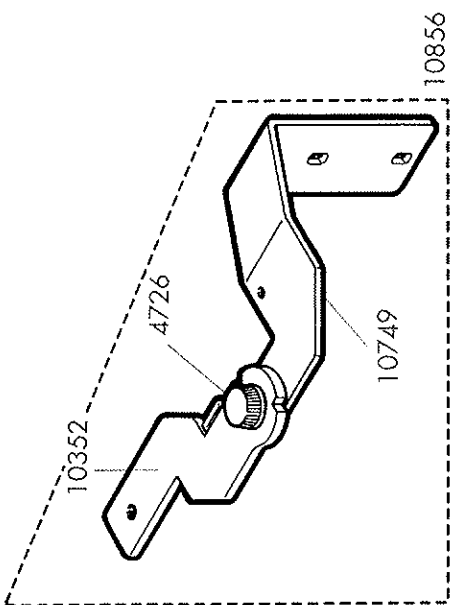
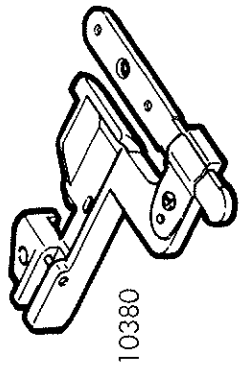
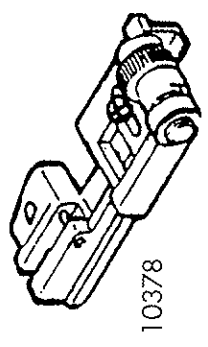
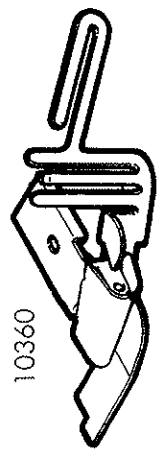


PART NO. TAVARO NO.		NAME OF PART	
2015	396002-07	Spool cap	
2020	396002-09	Machine dust cover	
3897	396002-69	Allen screw driver 1.5mm	
4424	396001-19	Converter	
4457	396001-13	Wrench 7mm	
4460	396001-37	Spool disc sheet	
4905	396001-62	Tweezers	
4908	396001-51	Needle assortment ELx705 #80-90	
10176	396001-60	Moving blade	
10750	396001-74	Waste tray	
10780	396001-72	Accessory case	
10781	396001-69	Brush	
10782	396003-67	Oil tube	
10783	396003-68	Screwdriver	
10784	396009-69	Instruction manual, English	
10796	396018-72	Styrofoam (not shown)	
10797	396018-73	Carton case, standard (not shown)	
10810	396160-71	Instruction manual, German	
10811	396160-77	Instruction manual, French	
10812	396160-73	Instruction manual, Danish	
10813	396160-84	Instruction manual, Swedish	
10814	396160-82	Instruction manual, Norwegian	
10815	396160-75	Instruction manual, Finnish	
10816	396160-80	Instruction manual, Hungarian	

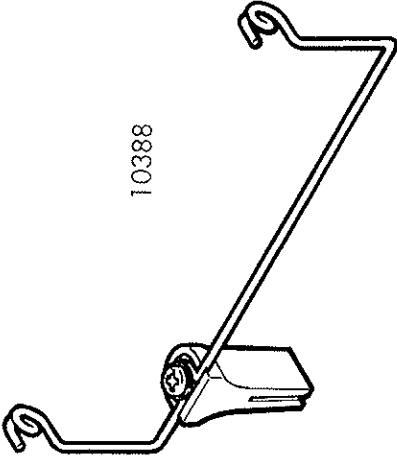
PART NO. TAVARO NO. NAME OF PART

PART NO. TAVARO NO. NAME OF PART

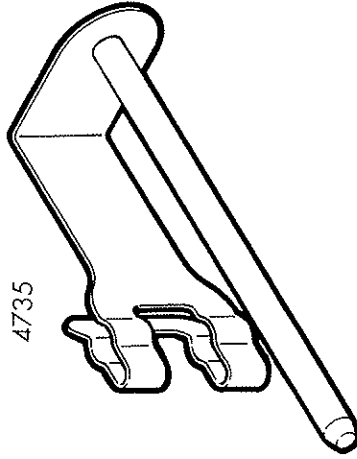
PART NO. TAVARO NO. NAME OF PART



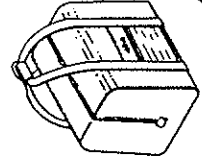
PART NO.	TAVARO NO.	NAME OF PART
4597	396001-28	Tape guide
4599	396001-29	Gathering plate
4723	396001-42	Cloth guide
4726	396001-39	Coin screw M4x8
4735	396001-43	Ribbon thread spool holder
4736	396001-44	Carring bag(Not shawn)
10352	396001-81	Attachment holder
10355	396001-82	Cloth guide (S)
10356	396001-83	Cloth guide (W)
10359	396001-84	Tape guide
10360	396001-85	Tape guide with cording
10378	396001-93	Blind stitch/Flatlock foot
10380	396001-94	Multi-purpose foot
10384	396001-95	Piping foot, 904
10388	396001-97	Special thread guide (Yarn guide)
10433	396001-98	Bulky/gathering foot
10439	396001-99	Pearl foot
10477	396013-58	Cloth guide(S) + (W)
10749	396013-57	Attachment holder,base(1)
10856	396013-59	Attachment holder,assem.



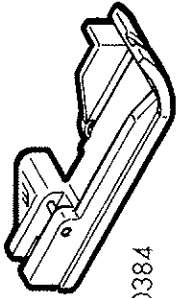
10388



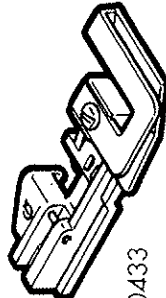
4735



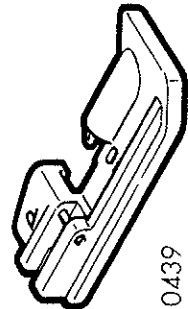
4736



10384



10433



10439

PART NO.	PAGES	PART NO.	PAGES	PART NO.	PAGES	PART NO.	PAGES	PART NO.	PAGES
1010	1	3470	4	4431	4	10091	7	10461	6
1083	3,6,9	3493	10	4432	4	10096	8	10463	6
1241	1,5	3581	8	4434	4	10099	10	10500	7
1279	4	3665	8,10	4457	11	10103	10	10505	8
1523	1,4,9,10	3680	6	4459	4	10104	10	10506	8
1542	10	3820	4	4460	11	10107	10	10507	9
1546	1,2,6	3822	4	4504	6	10108	10	10600	5
1579	1,2,4,6	3823	4	4507	8	10109	10	10601	9
1699	6,10	3824	4	4566	4	10110	10	10602	1
1731	4	3897	11	4567	4	10112	10	10603	2
1752	6,9,10	3900	9	4568	4	10113	10	10605	2
1757	6,7,9,10	3920	4	4569	8	10115	7	10606	1
1758	10	4082	6	4586	6	10116	7	10607	2
1759	7,10	4083	6	4586	6	10124	6	10608	2
1767	8	4085	5	4626	9	10131	9	10613	3
1775	6	4088	6	4634	8	10132	9	10614	3
1847	1	4091	6	4681	9	10133	9	10615	3
1879	2	4092	6	4709	8	10134	9	10616	3
1883	2	4103	7	4710	5	10135	9	10617	3
1893	7	4106	7	4717	8	10144	9	10618	3
1901	6,8,9,10	4109	7	4720	1	10146	9	10619	3
1913	5	4110	5,9	4740	1	10148	9	10620	3
1914	5	4117	8	4741	1,2	10149	9	10621	3
1935	8,9,10	4126	8	4754	10	10150	9	10622	3
2015	11	4153	10	4902	7	10151	6,9	10623	3
2020	11	4156	10	4905	11	10154	9	10624	3
2092	8	4157	10	4908	11	10160	10	10625	3
2248	6	4168	10	4935	8	10162	10	10628	7
2376	8	4207	8	4953	2	10176	4,9	10629	7
2377	2,4,10	4270	2	5048	3	10209	10	10634	5
2481	6	4284	8	5183	4	10290	10	10635	9
2518	8	4317	6	5200	4	10326	1	10636	9
2569	1	4402	4	10023	1	10340	6	10637	8
2588	9	4420	2,3	10034	2	10342	7	10638	8
3085	6	4421	2	10035	2	10343	2	10639	8
3127	2	4424	4	10036	2	10347	4	10640	8
3377	2	4428	10	10038	1	10412	2	10641	6
3453	7	4430	4	10048	3	10443	7	10642	6
				10080	6				

PART NO.	PAGES	PART NO.	PAGES	PART NO.	PAGES	PART NO.	PAGES	PART NO.	PAGES
10709	1	10763	4	10812	11	2518	10		
10711	6	10766	10	10813	11	10663	10		
10712	1	10767	1	10814	11	10731	10		
10713	1	10768	2	10815	11	10760	1		
10714	10	10769	1	10816	11	10806	1		
10715	4	10770	1	567010	1	10807	1		
10716	2	10771	1	700206	6				
10717	2	10772	1	705901	3,5,6,7,8,9,10				
10718	6	10773	1	705909	6				
10720	9	10774	10	705910	6,8				
10721	9	10775	10	707901	2				
10722	9	10777	6	707908	4,6,10				
10726	2	10778	4	800509	3				
10727	10	10779	2	800517	9				
10729	6	10780	11	800601	1,4,6,10				
10731	1	10781	11	800602	6,9,10				
10732	1	10782	11	800603	3,6,9,10				
10733	1	10783	11	800604	7,10				
10734	5	10784	11	800608	10				
10735	10	10785	2	800625	7				
10739	1	10786	9	800626	6,8,9				
10740	1	10787	4	800701	6				
10741	4	10788	9	800703	7				
10744	4	10791	6	1542-2	10				
10745	4	10792	7	500201-1	10				
10746	4	10793	2	500201-2	10				
10747	5	10794	5	522005-1	4				
10748	2	10796	11						
10749	11	10797	11						
10750	11	10798	1						
10751	2	10800	6						
10753	6	10801	8						
10754	8	10802	3						
10756	4	10803	2						
10757	4	10804	4						
10758	4	10805	4						
10759	2	10810	11						
10762	4	10811	11						