

# **PARTS CATALOGUE**

for

**Model XL-2030**

REF. NO.	PARTS NO.	PARTS NAME	REF. NO.	PARTS NO.	PARTS NAME
1	X54700151	TOP COVER	35	060400816	SCREW
2	X53625151	TOP COVER THREAD GUIDE	36	130157051	RUBBER CUSHION
3	X54336051	BOBBIN WINDER THREAD GUIDE ASSEMBLY	37-A	X55392051	ACCESSORY TABLE ASSEMBLY
4	U12017051	SCREW	37	X53642051	ACCESSORY TABLE
5	X54333051	THREAD GUIDE ASSEMBLY	38	X53525051	ACCESSORY TABLE SUPPORTER
6	060300616	SCREW	39	136681051	SCREW
7	X54338051	BOBBIN PRESSER	40-A	X54174051	ACCESSORY BOX ASSEMBLY
8	062301616	SCREW	40	X54060051	ACCESSORY BOX
9	021300106	NUT	41	X54090051	STICKER
10	X51892051	CARRYING HANDLE	42	X54089051	STICKER
11	X51893151	CARRYING HANDLE SHAFT	43	X53330050	WASHER
12	048040346	STOP RING	44	X54710051	UPPER SHAFT ASSEMBLY
13	X53629051	SPOOL PIN	54	X54349050	ECCENTRIC COUNTER WEIGHT
14	X53630051	SPRING	55	X54013051	SCREW
15	060400816	SCREW	56	123006051	SCREW
16	X54702152	FACE PLATE	57	129559151	SCREW
17	060401416	SCREW	58	131976051	WASHER
18	X54344051	BELT COVER	59	X52663050	METAL
19	052401406	SCREW	60	X54351051	COLLAR
20	X55080051	FRONT COVER	61	014400432	SCREW
21	X53634051	DECORATION PLATE	62	X54360051	BALANCE WHEEL
22	X52936052	MESSAGE KEY TOP	63	X50792051	WASHER
23	X52938052	LCD CONTRAST KEY	64	100043053	SCREW
24	X52939052	LCD CONTRAST KEY COVER	65	X54361051	STOP MOTION KNOB
25	X55345001	LCD UNIT ASSEMBLY	66	125096051	WASHER
26	X52925251	INSULATION SHEET	67	X54363051	BUSHING PRESSER
27	X55081050	LCD UNIT HOLDER	68	X54364051	CARRYING HANDLE SET PLATE
28	138433051	SCREW	69	060400816	SCREW
29	052401406	SCREW	70	136872151	NEEDLE BAR
30	X53636051	BED COVER	71	X50109000	NEEDLE BAR THREAD GUIDE
31	X53637151	HINGED DOOR	72	100139051	SCREW
32	X53638151	SPRING	73	129853001	NEEDLE CLAMP
33	060400816	SCREW	74	131226051	NEEDLE CLAMP SCREW
34	X53639050	BASE PLATE	75	125161080	NEEDLE GUIDE PLATE

REF. NO.	PARTS NO.	PARTS NAME	REF. NO.	PARTS NO.	PARTS NAME
76	X54366050	NEEDLE BAR SUPPORTER	110	060401416	SCREW
77	X54368051	NEEDLE BAR SUPPORTER STUD	111	048050342	STOP RING
78	X54369051	SPRING	112	X54386051	HORIZONTAL FEED PLATE
79	X52650151	NEEDLE BAR CRANK ROD ASSEMBLY	113	X54387051	FEED BAR SHAFT
80	X54372051	NEEDLE BAR CRANK	114	X54388051	FEED BAR
81	132051052	SCREW	115	048030342	STOP RING
82	014680432	SCREW	116	146200051	STOP RING
83	100507050	METAL PLATE	117	X54389051	FEED DOG
84	014400432	SCREW	118	060300416	SCREW
85	138607050	WASHER	119	060400816	SCREW
86	X54373051	ZIGZAG NEEDLE PLATE	120	X54390051	TAPER POINT STUD R
87	X50487051	SCREW	121	060401416	SCREW
88	100028014	NEEDLE #14	122	X54391051	TAPER POINT STUD L
89	X52620051	THREAD TAKE-UP LEVER	123	137734051	PRESSER PLATE
90	X52751050	THREAD TAKE-UP LINK	124	060400816	SCREW
91	X52640151	THREAD TAKE-UP LEVER STUD	125	X54392051	SPRING
92	048050342	STOP RING	126	014400632	SCREW
93	X51879151	PRESSER PLATE	127	X54393051	SPRING
94	060400816	SCREW	128	X54395051	VERTICAL FEED PLATE
95	128437050	PRESSER BAR	129	X54397051	ADJUSTING SCREW
96	X54374051	PRESSER BAR SPRING	130	102571053	NUT
97	X52689051	PRESSER BAR GUIDE BRACKET	131	X54398051	VERTICAL FEED SHAFT
98	013061212	SCREW	132	048050342	STOP RING
99	X51943151	PRESSER FOOT LIFTER	133	060401416	SCREW
100	X54552051	PRESSER FOOT LIFTER STUD	134	100066051	SLIDE BLOCK
101	062401216	SCREW	135	X55368051	FEED REGULATOR ASSEMBLY
102	138135051	ZIGZAG PRESSER FOOT	136	X54402051	FEED REGULATOR STUD
103	X50848001	PRESSER FOOT HOLDER ASSEMBLY	137	X54403051	SPRING
104	X53667051	THUMB SCREW	138	062401216	SCREW
105	X54375051	FEED CONNECTING ROD	139-A	X54404051	FEED REGULATING DIAL ASSEMBLY
106	X54378051	SPRING	139	X54405051	FEED REGULATING DIAL HOLDER
107	X54380051	HORIZONTAL FEED SHAFT	140	X54406051	FEED REGULATING ARM
108	X54381051	HORIZONTAL FEED SHAFT ARM	141	014400432	SCREW
109	X54384051	NUT	142	X54409051	FEED MANUAL GEAR ASSEMBLY

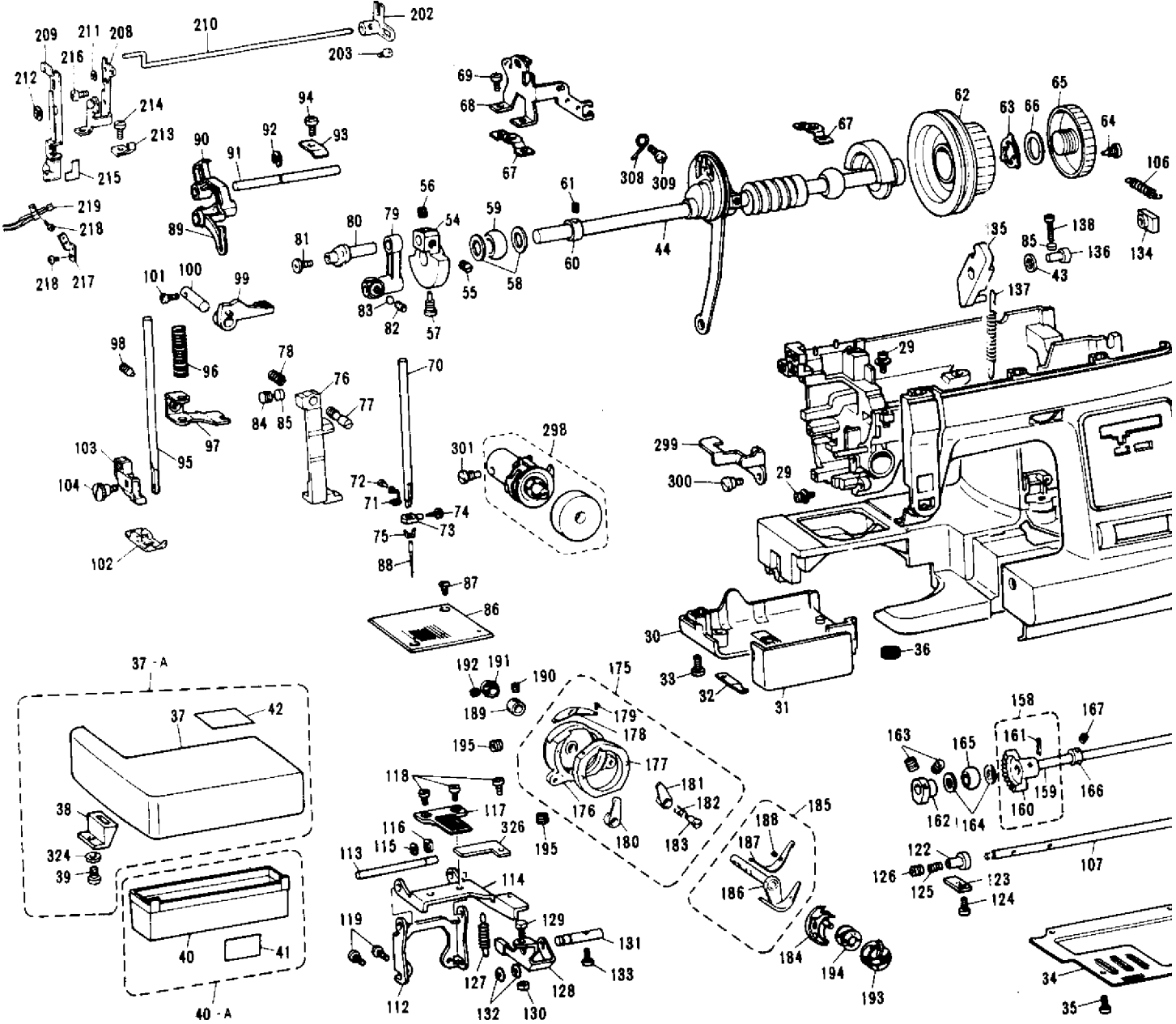
REF. NO.	PARTS NO.	PARTS NAME	REF. NO.	PARTS NO.	PARTS NAME
143	X54412051	FEED REGULATING DIAL	177	128470051	SHUTTLE RACE RING
144	X54415051	FEED MANUAL PLATE	178	128473051	SHUTTLE RACE TOP SPRING
145	X54665050	REVERSE CAM	179	125514051	SCREW
146	X54416050	ZF DIAL GEAR	180	128474051	SET LEVER, L
147	X54417051	SPRING	181	128475051	SET LEVER, R
148	048030342	STOP RING	182	128476051	SPRING
149	048040342	STOP RING	183	128477051	SCREW
150	060400616	SCREW	184	128581051	SHUTTLE HOOK
151	X54418051	BH STOPPER ASSEMBLY	185	X54429051	SHUTTLE DRIVER ASSEMBLY
152	060400816	SCREW	186	X54430051	SHUTTLE DRIVER
153	048030342	STOP RING	187	122429051	SPRING
154	X54664051	REVERSE SEWING LEVER C	188	121632051	SCREW
155	125322051	SCREW	189	X54433051	COLLAR
156	021670102	NUT	190	014400432	SCREW
157	048040342	STOP RING	191	X54514050	SHUTTLE DRIVER SHAFT GEAR
158	X54420051	LOWER SHAFT ASSEMBLY	192	151602051	SCREW
159	X54421050	LOWER SHAFT	193	128582083	BOBBIN CASE ASSEMBLY
160	X54422050	LOWER SHAFT GEAR	194	X52800050	BOBBIN
161	047251442	SPRING PIN	195	014400632	SCREW
162	X54424050	VERTICAL FEED CAM	196	X54439051	ZIGZAG CONNECTING ROD ASSEMBLY
163	014400432	SCREW	197	X54440051	SPRING
164	X51383050	WASHER	198	X50559050	ADJUSTING NUT
165	X52664050	LOWER SHAFT BUSHING	199	062301006	SCREW
166	137768051	COLLAR	200	048040342	STOP RING
167	014400432	SCREW	201	X52005051	SPRING
168	X54425051	LOWER SHAFT CRANK ASSEMBLY	202	136994151	BH CHANGE ARM
169	060401416	SCREW	203	062670612	SCREW
170	X54384051	NUT	204	136996051	BH NOTCHED SPRING PLATE
171	048050342	STOP RING	205	136997051	BH SPRING
172	X52664050	LOWER SHAFT BUSHING	206	025350332	WASHER
173	X54780051	BUSHING PRESSER	207	062670612	SCREW
174	060400816	SCREW	208	X54458051	BH STOPPER PLATE ASSEMBLY
175	128468251	SHUTTLE RACE ASSEMBLY	209	X54462051	BH LEVER ASSEMBLY
176	128469251	SHUTTLE RACE BODY	210	X54464051	BH CHANGE SHAFT

REF. NO.	PARTS NO.	PARTS NAME	REF. NO.	PARTS NO.	PARTS NAME
211	048020342	STOP RING	243	137191051	STOP RING
212	048050342	STOP RING	244	X52062051	RELEASE LEVER
213	X54461051	SPRING	245	120258051	SCREW
214	060400616	SCREW	246	021670102	NUT
215	131428051	BH LEVER PLATE	247	X52063051	RELEASE LEVER SHAFT
216	060400616	SCREW	248	X52064051	SPRING
217	X50396001	BH SWITCH HOLDER	249	048040342	STOP RING
218	060630312	SCREW	250	025050132	WASHER
219	X55390051	BH LEVER SWITCH ASSEMBLY	251	X52065051	SLIDE FRAME SHAFT
220-A	X55403051	SELECTING UNIT COMPLETE	252	X52066151	Z SLIDE FRAME
220	X54468000	PATTERN CAM ASSEMBLY	253	X54798051	F SLIDE FRAME
221	X52016051	PATTERN CAM SHAFT	254	X52068151	SPRING
222	128491051	WASHER	255	X53074051	Z SELECTING LEVER
223	048050342	STOP RING	256	X52070051	F SELECTING LEVER ASSEMBLY
224	X52017051	SPRING	257	X52073051	STUD SCREW
225-A	X54471051	FINGER SHAFT ASSEMBLY	258	021400202	NUT
225	X54472051	FINGER SHAFT	259-A	X55452051	SELECTING CAM COMPLETE
226	X54473051	Z FINGER FRAME ASSEMBLY	259	X53069001	SELECTING CAM ASSEMBLY
227	120258051	SCREW	260	X55346051	PATTERN MODE SWITCH ASSEMBLY
228	021670102	NUT	261	048050346	STOP RING
229	125322051	SCREW	262	X52077051	COLLAR
230	021670102	NUT	263	014400432	SCREW
231	X54476051	F FINGER FRAME A	264	X53067051	SELECTING GEAR
232	120258051	SCREW	265	X52080051	SELECTING DIAL
233	021670102	NUT	266	048050342	STOP RING
234	X54480051	F FINGER FRAME B	267	047251242	SPRING PIN
235	X52058051	SPRING	268	130096151	COLLAR
236	X52053051	BH REVERSE FINGER ASSEMBLY	269	014400632	SCREW
237	X52057051	WASHER	270	X52091151	UNIT BASE B
238	X52058051	SPRING	271	X54500051	UNIT BASE F
239	120258051	SCREW	272	X54503051	REVERSE SEWING LEVER A ASSEMBLY
240	021670102	NUT	273	X54506053	REVERSE SEWING BUTTON
241	X52059151	BH Z FINGER ASSEMBLY	274	138439001	SCREW
242	X52060151	SPRING	275	048030342	STOP RING

REF. NO.	PARTS NO.	PARTS NAME	REF. NO.	PARTS NO.	PARTS NAME
276	X54660051	REVERSE SEWING LEVER B ASSEMBLY	310	414959001	CORD CLIP
277	X54626051	SPRING	311	130944051	BELT
278	048030342	STOP RING	312	537235001	SCREW
279	X54507051	FEED ADJUSTING CAM ROD	313	X55082051	3P SOCKET BODY
280	025350132	WASHER	314	X55083051	3P SOCKET COVER
281	120454051	STOP RING	315	X55084051	3P SOCKET BASE
282	021400202	NUT	316	X55451051	POWER SUPPLY UNIT ASSEMBLY
283	X54508050	INDICATION GEAR	317	U06923002	SCREW
284	X52088051	COLLAR	318	052401406	SCREW
285	014400632	SCREW	319	X55349051	BOBBIN WINDER SWITCH ASSEMBLY
286	060400616	SCREW	320	062260516	SCREW
287	X54017051	ADJUSTING SCREW	321	X53169050	BAND
288	102571053	NUT	322	X55351051	MOTOR COMPLETE
289	060400816	SCREW	323	X54143051	CONTROLLER COMPLETE
290	X54518051	FEED BRACKET	324	132950051	WASHER
291	X54744051	BOBBIN WINDER ASSEMBLY	325	060300516	SCREW
292	125928050	SPRING	326	X55402051	DUST PROTECT PLATE
293	120263051	STUD SCREW			
294	102571003	NUT			
295	120448051	BOBBIN WINDER RUBBER RING			
296	X52102051	SPRING			
297	060400816	SCREW			
298	X55077151	UPPER TENSION COMPLETE			
299	X54519051	TENSION RELEASER			
300	X52073051	STUD SCREW			
301	X54520051	SCREW			
302	X55333051	SEW-LIGHT ASSEMBLY			
303	X50228081	SEW-LIGHT BULB			
304	060400816	SCREW			
305	X54728051	LAMP HOLDER			
306	X54746051	SOCKET HOLDER			
307	060400616	SCREW			
308	X54786050	CORD GUIDE			
309	060400616	SCREW			



# XL-2030







# XL-2030

