

PARTS CATALOGUE

for

Model XL2022 & XR23

Ref.no.	Parts No.	Parts Name	Ref.no.	Parts No.	Parts Name
1	X54700151	TOP COVER	33-A	X55392051	ACCESSORY TABLE ASSEMBLY
2	X53625151	TOP COVER THREAD GUIDE	33	X53642051	ACCESSORY TABLE
3	X54336051	BOBBIN WINDER THREAD GUIDE ASSEMBLY	34	X53525051	ACCESSORY TABLE SUPPORTER
4	U12017051	SCREW	35	136681051	SCREW
5	X54333051	THREAD GUIDE ASSEMBLY	36-A	X54174051	ACCESSORY BOX ASSEMBLY
6	060300616	SCREW	36	X54060051	ACCESSORY BOX
7	X54338051	BOBBIN PRESSER	37	X54090051	STICKER
8	062301616	SCREW	38	X54089051	STICKET
9	021300106	NUT	39	X53330050	WASHER
10	X51892051	CARRYING HANDLE	40	X54710151	UPPER SHAFT ASSEMBLY
11	X51893151	CARRYING HANDLE SHAFT	54	X54349050	ECCENTRIC COUNTER WEIGHT
12	048040346	STOP RING	55	X54013051	SCREW
13	X53629051	SPOOL PIN	56	123006051	SCREW
14	X53630051	SPRING	57	129559151	SCREW
15	060400816	SCREW	58	131976051	WASHER
16	X54343151	FACE PLATE	59	X52663050	METAL
17	060401416	SCREW	60	X54351051	COLLAR
18	X54344051	BELT COVER	61	014400432	SCREW
19	052401406	SCREW	62	X54360051	BALANCE WHEEL
20	X54705051	FRONT COVER	63	X50792051	WASHER
21	X54443076	DECORATION PLATE FOR XL2022	64	100043053	SCREW
	X54443077	DECORATION PLATE FOR XR23	65	X54361051	STOP MOTION KNOB
22	X54549051	PATTERN INDICATOR PLATE FOR XL2022	66	125096051	WASHER
	X54549053	PATTERN INDICATOR PLATE FOR XR23	67	X54363051	BUSHING PRESSER
23	X50223051	SPRING	68	X54364051	CARRYING HANDLE SET PLATE
24	146200051	STOP RING	69	060400816	SCREW
25	053400806	SCREW	70	136872151	NEEDLE BAR
26	X53636051	BED COVER	71	X50109000	NEEDLE BAR THREAD GUIDE
27	X56969051	HINGED DOOR	72	100139051	SCREW
28	X53638151	SPRING	73	129853001	NEEDLE CLAMP
29	060400816	SCREW	74	131226051	NEEDLE CLAMP SCREW
30	X53639050	BASE PLATE	75	125161080	NEEDLE GUIDE PLATE
31	060400816	SCREW	76	X54713251	NEEDLE BAR SUPPORTER
32	130157051	RUBBER CUSHION	77	X54368051	NEEDLE BAR SUPPORTER STUD

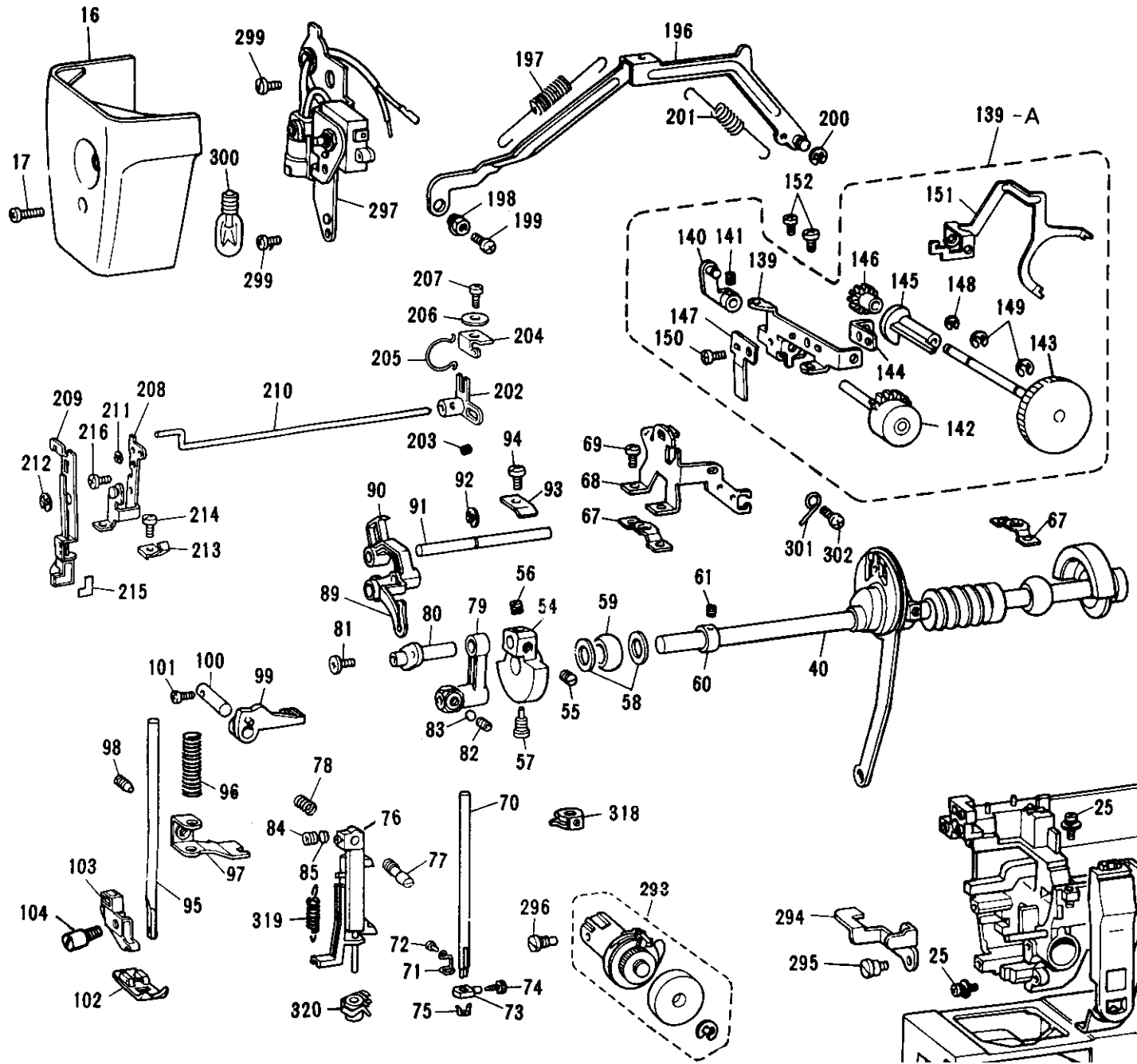
Ref.no.	Parts No.	Parts Name	Ref.no.	Parts No.	Parts Name
78	X54369051	SPRING	112	X54386051	HORIZONTAL FEED PLATE
79	X52650151	NEEDLE BAR CRANK ROD ASSEMBLY	113	X54387051	FEED BAR SHAFT
80	X54372051	NEEDLE BAR CRANK	114	X54388151	FEED BAR
81	132051052	SCREW	115	048030346	STOP RING
82	014680432	SCREW	116	146200051	STOP RING
83	100507050	METAL PLATE	117	X54389051	FEED DOG
84	014400432	SCREW	118	060300416	SCREW
85	138607050	WASHER	119	060400816	SCREW
86	X54373051	ZIGZAG NEEDLE PLATE	120	X54390051	TAPER POINT STUD R
87	X50487051	SCREW	121	060401416	SCREW
88	100028014	NEEDLE #14	122	X54391150	TAPER POINT STUD L
89	X52620051	THREAD TAKE-UP LEVER	123	137734051	PRESSER PLATE
90	X52751050	THREAD TAKE-UP LINK	124	060400816	SCREW
91	X52640151	THREAD TAKE-UP LEVER STUD	125	X56613051	SPRING
92	048050346	STOP RING	126	062400416	SCREW
93	X51879151	PRESSER PLATE	127	X54393051	SPRING
94	060400816	SCREW	128	X54395051	VERTICAL FEED PLATE
95	128437050	PRESSER BAR	129	X54397051	ADJUSTING SCREW
96	X54374051	PRESSER BAR SPRING	130	102571056	NUT
97	X52689051	PRESSER BAR GUIDE BRACKET	131	X54398051	VERTICAL FEED SHAFT
98	013061212	SCREW	132	048050346	STOP RING
99	X51743151	PRESSER FOOT LIFTER	133	060401416	SCREW
100	X54552051	PRESSER FOOT LIFTER STUD	134	X55473051	SLIDE BLOCK
101	062401216	SCREW	135	X55368051	FEED REGULATOR ASSEMBLY
102	138135051	ZIGZAG PRESSER FOOT	136	X54402150	FEED REGULATOR STUD
103	X50848001	PRESSER FOOT HOLDER ASSEMBLY	137	X54403051	SPRING
104	132730151	THUMB SCREW	138	062401216	SCREW
105	X54375051	FEED CONNECTING ROD	139-A	X54404151	FEED REGULATING DIAL ASSEMBLY
106	X54378051	SPRING	139	X54405051	FEED REGULATING DIAL HOLDER
107	X54370051	HORIZONTAL FEED SHAFT	140	X54406051	FEED REGULATING ARM
108	X54381051	HORIZONTAL FEED SHAFT ARM	141	014400432	SCREW
109	X54384051	NUT	142	X54409051	F MANUAL GEAR ASSEMBLY
110	060401416	SCREW	143	X54412151	FEED REGULATING DIAL
111	048050346	STOP RING	144	X54415051	F MANUAL PLATE

Ref.no.	Parts No.	Parts Name	Ref.no.	Parts No.	Parts Name
145	X54665050	REVERSE CAM	194	X52800050	BOBBIN
146	X54416050	F DIAL GEAR	195	014400632	SCREW
147	X54417051	SPRING	196	X55444151	ZIGZAG CONNECTING ROD AASSEMBLY
148	048030346	STOP RING	197	X54440051	SPRING
149	048040346	STOP RING	198	X50559050	ADJUSTING NUT
150	060400616	SCREW	199	062301006	SCREW
151	X54418051	BH STOPPER ASSEMBLY	200	048040346	STOP RING
152	060400816	SCREW	201	X52005051	SPRING
153	048030346	STOP RING	202	136994351	BH CHANGE ARM
154	X54664051	REVERSE SEWING LEVER C	203	014400432	SCREW
155	125322051	SCREW	204	136996051	BH NOTCHED SPRING PLATE
156	021670102	NUT	205	136997051	BH SPRING
157	048040346	STOP RING	206	025350332	WASHER
158	X54420051	LOWER SHAFT ASSEMBLY	207	062670612	SCREW
162	X54424050	VERTICAL FEED CAM	208	X54458051	BH STOPPER PLATE ASSEMBLY
163	014400432	SCREW	209	X54462051	BH LEVER ASSEMBLY
164	X51383050	WASHER	210	X54464151	BH CHANGE SHAFT
165	X52664050	LOWER SHAFT BUSHING	211	048025346	STOP RING
166	137768151	COLLAR	212	048050346	STOP RING
167	014400432	SCREW	213	X54461051	SPRING
168	X54425151	LOWER SHAFT CRANK ASSEMBLY	214	060400616	SCREW
169	060401416	SCREW	215	131428051	BH LEVER PLATE
170	X54384051	NUT	216	060400616	SCREW
171	048050346	STOP RING	217-A	X54466351	SELECTING UNIT COMPLETE
173	X54780151	BUSHING PRESSER	217	X54468301	PATTERN CAM ASSEMBLY
174	060400816	SCREW	218	X52016051	PATTERN CAM SHAFT
175	X56767051	SHUTTLE RACE ASSEMBLY	219	128491051	WASHER
184	128581051	SHUTTLE HOOK	220	048050346	STOP RING
185	X54429051	SHUTTLE DRIVER ASSEMBLY	221	X52017051	SPRING
186	X54433051	COLLAR	222-A	X54471051	FINGER SHAFT ASSEMBLY
190	014400432	SCREW	222	X54472051	FINGER SHAFT
191	X54514050	SHUTTLE DRIVER SHAFT GEAR	223	X54473051	Z FINGER FRAME ASSEMBLY
192	151602051	SCREW	224	120258051	SCREW
193	128582083	BOBBIN CASE ASSEMBLY	225	021670102	NUT

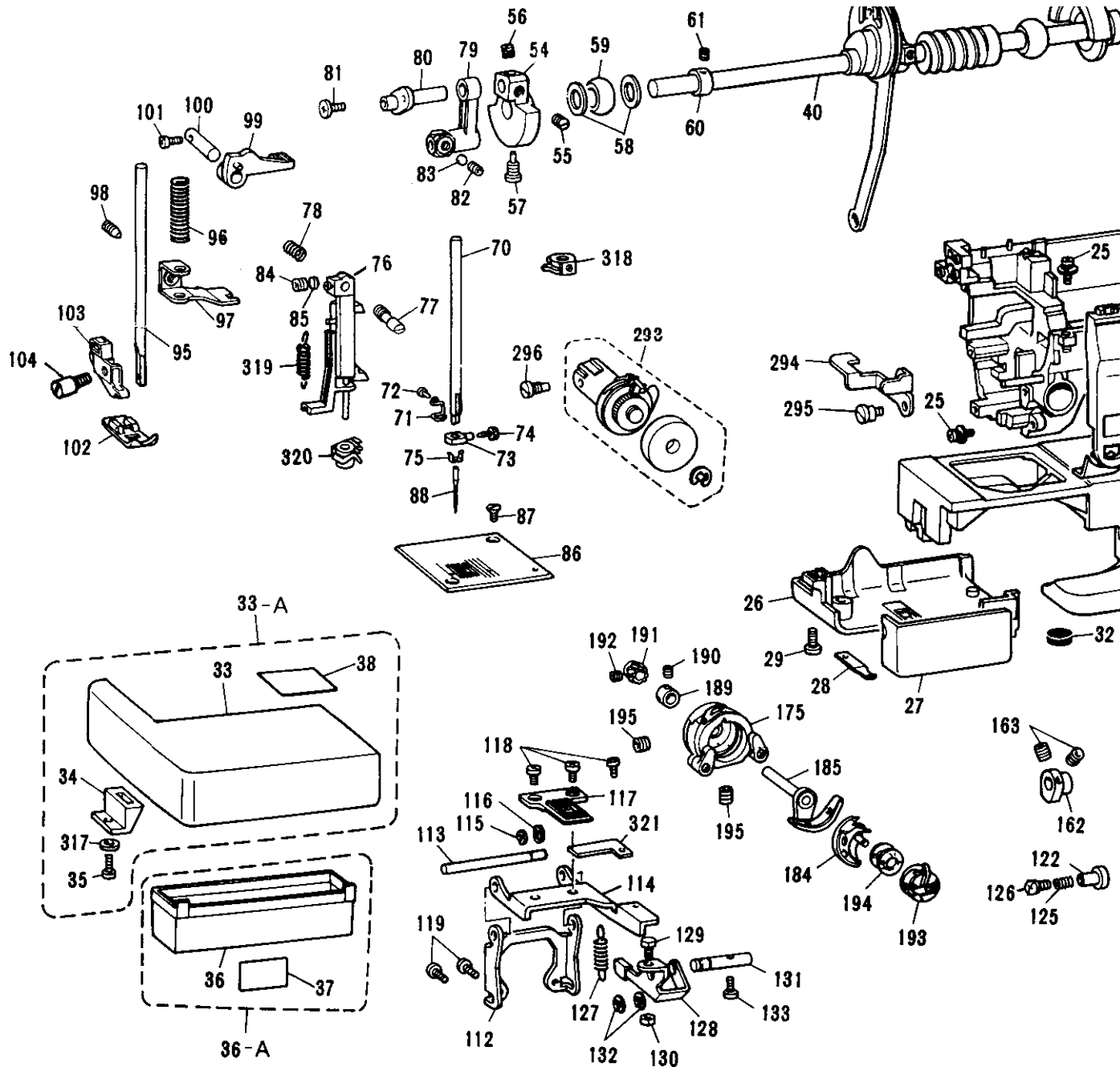
Ref.no.	Parts No.	Parts Name	Ref.no.	Parts No.	Parts Name
226	125322051	SCREW	260	X52080051	SELECTING DIAL
227	021670102	NUT	261	048050346	STOP RING
228	X54476051	F FINGER FRAME A	262	047251242	SPRING PIN
229	120258051	SCREW	263	130096151	COLLAR
230	021670102	NUT	264	014400632	SCREW
231	X54480051	F FINGER FRAME B	265	X52091151	UNIT BASE B
232	X52058051	SPRING	266	X54500051	UNIT BASE F
233	X52053051	BH REVERSE FINGER ASSEMBLY	267	X54503051	REVERSE SEWING LEVER A ASSEMBLY
234	X52057051	WASHER	268	X54506051	REVERSE SEWING BUTTON
235	X52058051	SPRING	269	138439001	SCREW
236	120258051	SCREW	270	048030346	STOP RING
237	021670102	NUT	271	X54660051	REVERSE SEWING LEVER B ASSEMBLY
238	X52059151	BHZ FINGER ASSEMBLY	272	X54626051	SPRING
239	X52060151	SPRING	273	048030346	STOP RING
240	137191051	STOP RING	274	X54507051	FEED ADJUSTING CAM ROD
241	X52062051	RELEASE LEVER	275	025350132	WASHER
242	120258051	SCREW	276	120454051	STOP RING
243	021670102	NUT	277	021400202	NUT
244	X52063151	RELEASE LEVER SHAFT	278	X54508050	INDICATION GEAR
245	X52064051	SPRING	279	X52088051	COLLAR
246	048040346	STOP RING	280	014400632	SCREW
247	025050132	WASHER	281	060400616	SCREW
248	X52065051	SLIDE FRAME SHAFT	282	X54017151	ADJUSTING SCREW
249	X52066151	Z SLIDE FRAME	283	102571056	NUT
250	X54798051	F SLIDE FRAME	284	060400816	SCREW
251	X52068151	SPRING	285	X54518051	FEED BRACKET
252	X53074151	Z SELECTING LEVER	286	X54744051	BOBBIN WINDER ASSEMBLY
253	X52070151	F SELECTING LEVER ASSEMBLY	287	125928050	SPRING
254	X52073051	STUD SCREW	288	120263051	STUD SCREW
255	021400202	NUT	289	102571056	NUT
256	X57074051	SELECTING CAM ASSEMBLY	290	120448051	BOBBIN WINDER RUBBER RING
257	X52077051	COLLAR	291	X52102051	SPRING
258	014400432	SCREW	292	060400816	SCREW
259	X53067051	SELECTING GEAR	293	X56694051	UPPER TENSION COMPLETE

Ref.no.	Parts No.	Parts Name	Ref.no.	Parts No.	Parts Name
294	X54519051	TENSION RELEASER		128215081	BUTTON HOLR FOOT
295	X52073051	STUD SCREW		122335081	BUTTONING FOOT
296	X54520051	SCREW		130012053	SPOOL PRESSER A
297	X54521051	SEW-LIGHT ASSEMBLY		130013053	SPOOL PRESSER B
299	060400816	SCREW		194290014	INSTRUCTION BOOK FOR XL2022
300	X53061050	SEW-LIGHT BULB		194290014	INSTRUCTION BOOK FOR XR23
301	X54786150	CORD GUIDE		X60247051	CARTON BOX FOR XL2022
302	060400816	SCREW		X60247052	CARTON BOX FOR XR23
303	414959001	CORD GUIDE		X60145050	STYROFOAM U
304	130944051	BELT		X60145050	STYROFOAM L
305	X55609001	SCREW			
306	138596051	3P SOCKET BODY			
307	138597051	3P SOCKET COVER			
308	138598050	CONTACT PIN			
309	062301602	SCREW			
310	021300106	NUT			
311	052401406	SCREW			
312	214808000	CONNECTOR			
313	X54607051	LEAD WIRE			
314	X54808051	3P SOCKET SUPPORTER			
315	X57041051	MOTOR COMPLETE			
316	J00360051	CONTROLLER COMPLETE			
317	027030226	WASHER			
318	X53274051	POSITION SETTER			
319	X50476051	SPRING			
320	129840102	THREADER HOOK ASSEMBLY			
321	X55402051	DUST PROTECT PLATE			
	X55466051	SCREW DRIVER ASSEMBLY			
	128585051	ZIPPER FOOT			
	X52800050	BOBBIN			
	132147051	NEEDLE SET			
	130920051	SPOOL PIN			
	131865051	FEED COVER PLATE			

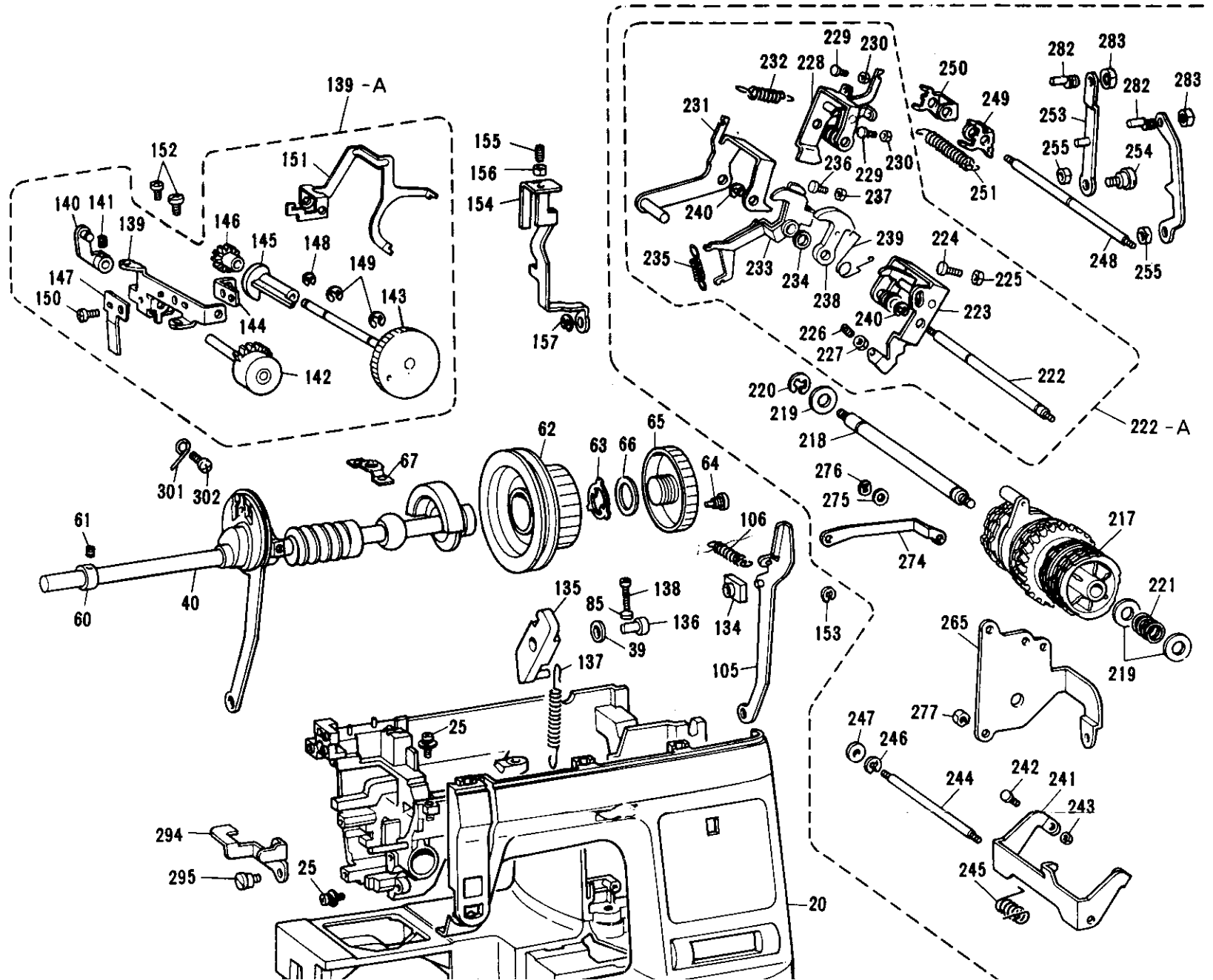
XL2022



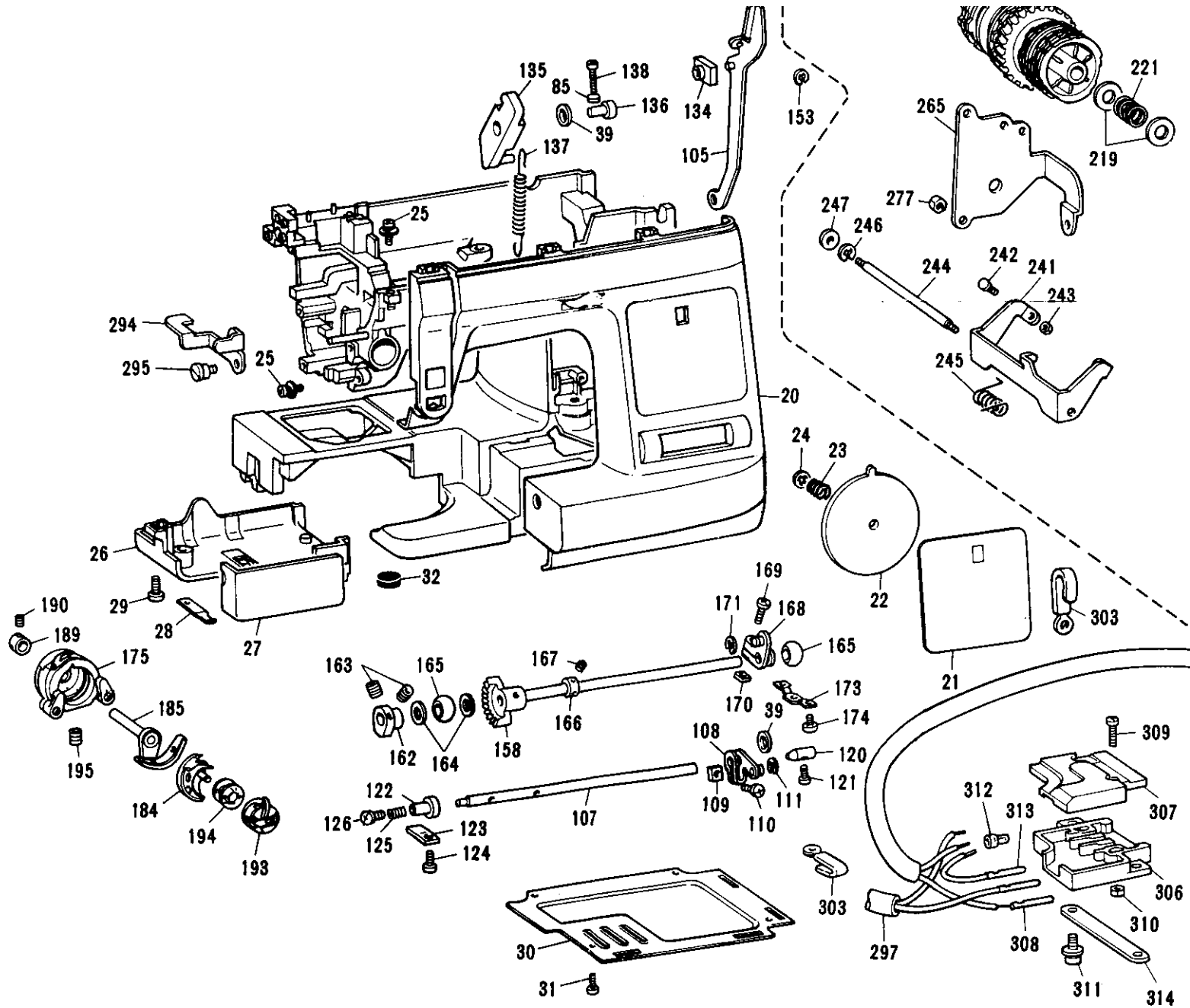
XL2022



XL2022



XL2022



XL2022

