

PARTS CATALOGUE

for

Model XL2010

| REF. NO. | PARTS NO. | PARTS NAME | REF. NO. | PARTS NO. | PARTS NAME |
|----------|-----------|-------------------------------------|----------|-----------|-------------------------------|
| 1 | X54700051 | TOP COVER | 34 | X53525051 | ACCESSORY TABLE SUPPORTER |
| 2 | X53625051 | TOP COVER THREAD GUIDE | 35 | 136681051 | SCREW |
| 3 | X54336051 | BOBBIN WINDER THREAD GUIDE ASSEMBLY | 36-A | X54174051 | ACCESSORY BOX ASSEMBLY |
| 4 | 060300616 | SCREW | 36 | X54060051 | ACCESSORY BOX |
| 5 | X54333051 | THREAD GUIDE ASSEMBLY | 37 | X54090051 | STICKER |
| 6 | 060300616 | SCREW | 38 | X54089051 | STICKER |
| 7 | X54338051 | BOBBIN PRESSER | 39 | X53330050 | WASHER |
| 8 | 062301616 | SCREW | 40 | X54710051 | UPPER SHAFT ASSEMBLY |
| 9 | 021300106 | NUT | 54 | X54349050 | ECCENTRIC COUNTER WEIGHT |
| 10 | X51892051 | CARRYING HANDLE | 55 | X54013051 | SCREW |
| 11 | X51893151 | CARRYING HANDLE SHAFT | 56 | 123006051 | SCREW |
| 12 | 048040342 | STOP RING | 57 | 129559151 | SCREW |
| 13 | X53629051 | SPOOL PIN | 58 | 131976051 | WASHER |
| 14 | X53630051 | SPRING | 59 | X52663050 | METAL |
| 15 | 060400816 | SCREW | 60 | X54351051 | COLLAR |
| 16 | X54343151 | FACE PLATE | 61 | 014400432 | SCREW |
| 17 | 060401416 | SCREW | 62 | X54360051 | BALANCE WHEEL |
| 18 | X54344051 | BELT COVER | 63 | X50792051 | WASHER |
| 19 | 052401406 | SCREW | 64 | 100043053 | SCREW |
| 20 | X54705051 | FRONT COVER | 65 | X54361051 | STOP MOTION KNOB |
| 21 | X54443052 | DECORATION PLATE | 66 | 125096051 | WASHER |
| 22 | X54550052 | PATTERN INDICATOR PLATE | 67 | X54363051 | BUSHING PRESSER |
| 23 | X50223051 | SPRING | 68 | X54364051 | CARRYING HANDLE SET PLATE |
| 24 | 146200051 | STOP RING | 69 | 060400816 | SCREW |
| 25 | 052401406 | SCREW | 70 | 136872151 | NEEDLE BAR |
| 26 | X53636051 | BED COVER | 71 | X50109000 | NEEDLE BAR THREAD GUIDE |
| 27 | X53637051 | HINGED DOOR | 72 | 100139051 | SCREW |
| 28 | X53638051 | SPRING | 73 | 129853001 | NEEDLE CLAMP |
| 29 | 060400816 | SCREW | 74 | 131226051 | NEEDLE CLAMP SCREW |
| 30 | X53639050 | BASE PLATE | 75 | 125161080 | NEEDLE GUIDE PLATE |
| 31 | 060400816 | SCREW | 76 | X54366050 | NEEDLE BAR SUPPORTER |
| 32 | 130157051 | RUBBER CUSHION | 77 | X54368051 | NEEDLE BAR SUPPORTER STUD |
| 33-A | X55392051 | ACCESSORY TABLE ASSEMBLY | 78 | X54369051 | SPRING |
| 33 | X53642051 | ACCESSORY TABLE | 79 | X52650151 | NEEDLE BAR CRANK ROD ASSEMBLY |

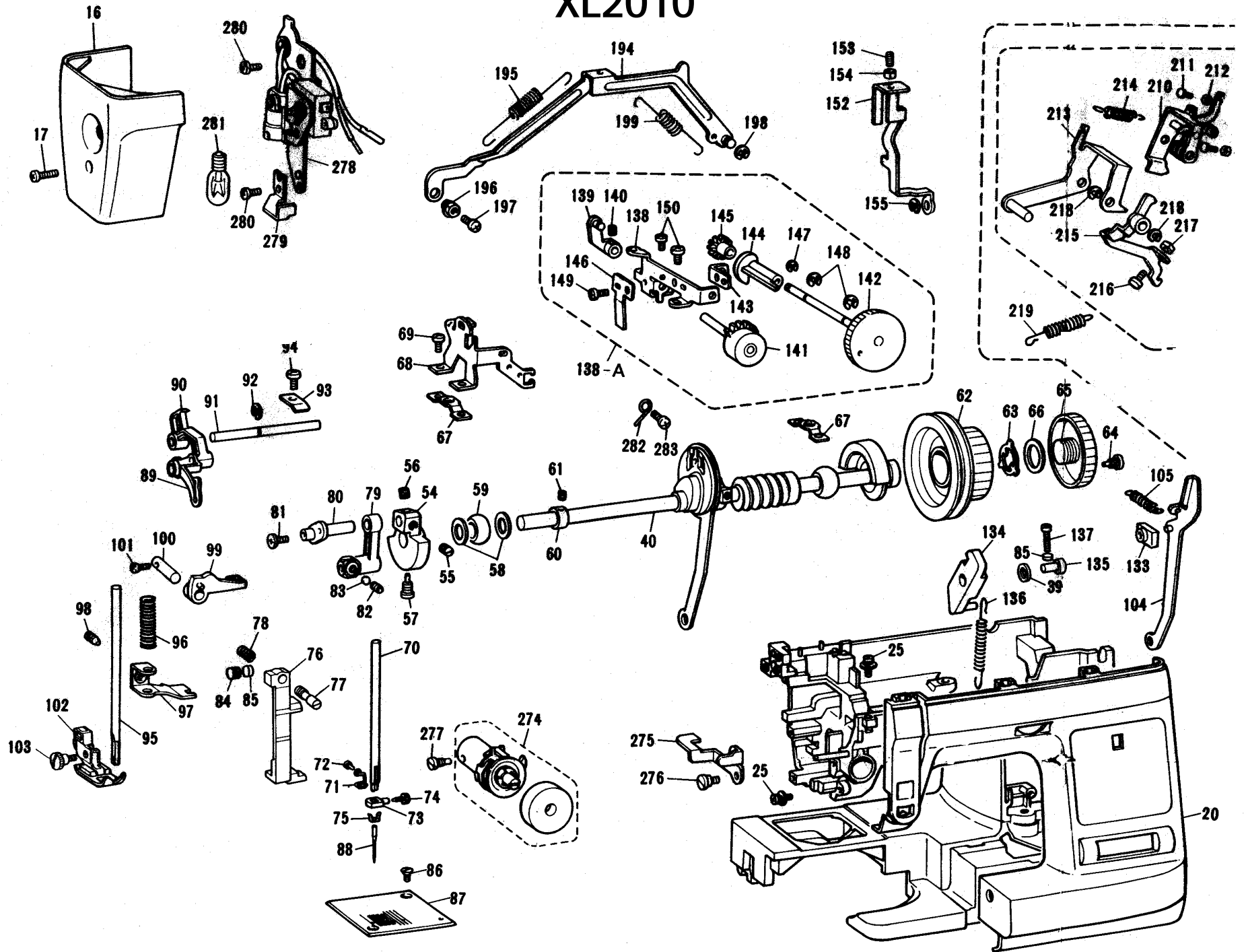
| REF. NO. | PARTS NO. | PARTS NAME | REF. NO. | PARTS NO. | PARTS NAME |
|----------|-----------|---------------------------|----------|-----------|-------------------------------|
| 80 | X54372051 | NEEDLE BAR CRANK | 114 | 048030342 | STOP RING |
| 81 | 132051052 | SCREW | 115 | 146200051 | STOP RING |
| 82 | 014680432 | SCREW | 116 | X54389051 | FEED DOG |
| 83 | 100507050 | METAL PLATE | 117 | 060300416 | SCREW |
| 84 | 014400432 | SCREW | 118 | 060400816 | SCREW |
| 85 | 138607050 | WASHER | 119 | X54390051 | TAPER POINT STUD R |
| 86 | X50487051 | SCREW | 120 | 060401416 | SCREW |
| 87 | X54373051 | ZIGZAG NEEDLE PLATE | 121 | X54391051 | TAPER POINT STUD L |
| 88 | 100028014 | NEEDLE #14 | 122 | 137734051 | PRESSER PLATE |
| 89 | X52620051 | THREAD TAKE-UP LEVER | 123 | 060400816 | SCREW |
| 90 | X52751050 | THREAD TAKE-UP LINK | 124 | X54392051 | SPRING |
| 91 | X52640151 | THREAD TAKE-UP LEVER STUD | 125 | 014400632 | SCREW |
| 92 | 048050342 | STOP RING | 126 | X54393051 | SPRING |
| 93 | X51879151 | PRESSER PLATE | 127 | X54395051 | VERTICAL FEED PLATE |
| 94 | 060400816 | SCREW | 128 | X54397051 | ADJUSTING SCREW |
| 95 | 128437050 | PRESSER BAR | 129 | 102571053 | NUT |
| 96 | X54374051 | PRESSER BAR SPRING | 130 | X54398051 | VERTICAL FEED SHAFT |
| 97 | X52689051 | PRESSER BAR GUIDE BRACKET | 131 | 048050342 | STOP RING |
| 98 | 013061212 | SCREW | 132 | 060401416 | SCREW |
| 99 | X51943151 | PRESSER FOOT LIFTER | 133 | 100066051 | SLIDE BLOCK |
| 100 | X54552051 | PRESSER FOOT LIFTER STUD | 134 | X55368051 | FEED REGULATOR ASSEMBLY |
| 101 | 062401216 | SCREW | 135 | X54402051 | FEED REGULATOR STUD |
| 102 | 131046051 | ZIGZAG PRESSER FOOT | 136 | X54403051 | SPRING |
| 103 | X53667051 | THUMB SCREW | 137 | 062401216 | SCREW |
| 104 | X54375051 | FEED CONNECTING ROD | 138-A | X54731051 | FEED REGULATING DIAL ASSEMBLY |
| 105 | X54378051 | SPRING | 138 | X54405051 | FEED REGULATING DIAL HOLDER |
| 106 | X54380051 | HORIZONTAL FEED SHAFT | 139 | X54406051 | FEED REGULATING ARM |
| 107 | X54381051 | HORIZONTAL FEED SHAFT ARM | 140 | 014400432 | SCREW |
| 108 | X54384051 | NUT | 141 | X54409051 | F MANUAL GEAR ASSEMBLY |
| 109 | 060401416 | SCREW | 142 | X54412051 | FEED REGULATING DIAL |
| 110 | 048050342 | STOP RING | 143 | X54415051 | F MANUAL PLATE |
| 111 | X54386051 | HORIZONTAL FEED PLATE | 144 | X54665050 | REVERSE CAM |
| 112 | X54387051 | * FEED BAR SHAFT | 145 | X54416050 | F DIAL GEAR |
| 113 | X54388051 | FEED BAR | 146 | X54417051 | SPRING |

| REF. NO. | PARTS NO. | PARTS NAME | REF. NO. | PARTS NO. | PARTS NAME |
|----------|-----------|--------------------------------|----------|-----------|----------------------------|
| 147 | 048030342 | STOP RING | 195 | X54440051 | SPRING |
| 148 | 048040342 | STOP RING | 196 | X50559050 | ADJUSTING NUT |
| 149 | 060400616 | SCREW | 197 | 062301006 | SCREW |
| 150 | 060400816 | SCREW | 198 | 048040342 | STOP RING |
| 151 | 048030342 | STOP RING | 199 | X52005051 | SPRING |
| 152 | X54664051 | REVERSE SEWING LEVER C | 200-A | X54553051 | SELECTING UNIT COMPLETE |
| 153 | 125322051 | SCREW | 200 | X54555000 | PATTERN CAM ASSEMBLY |
| 154 | 021670102 | NUT | 201 | X52016051 | PATTERN CAM SHAFT |
| 155 | 048040342 | STOP RING | 202 | 128491051 | WASHER |
| 158 | X54420051 | LOWER SHAFT ASSEMBLY | 203 | 048050342 | STOP RING |
| 160 | X54424050 | VERTICAL FEED CAM | 204 | X52017051 | SPRING |
| 161 | 014400432 | SCREW | 205-A | X54627051 | FINGER SHAFT ASSEMBLY |
| 162 | X51383050 | WASHER | 205 | X54472051 | FINGER SHAFT |
| 163 | X52664050 | LOWER SHAFT BUSHING | 206 | X54559051 | Z FINGER FRAME ASSEMBLY |
| 164 | 137768051 | COLLAR | 208 | 125322051 | SCREW |
| 165 | 014400432 | SCREW | 209 | 021670102 | NUT |
| 166 | X54425051 | LOWER SHAFT CRANK ASSEMBLY | 210 | X54476051 | F FINGER FRAME A |
| 167 | 060401416 | SCREW | 211 | 120258051 | SCREW |
| 168 | X54384051 | NUT | 212 | 021670102 | NUT |
| 169 | 048050342 | STOP RING | 213 | X54480051 | F FINGER FRAME B |
| 170 | X52664050 | LOWER SHAFT BUSHING | 214 | X52058051 | SPRING |
| 171 | X54780051 | BUSHING PRESSER | 215 | X54560051 | BH REVERSE FINGER ASSEMBLY |
| 172 | 060400816 | SCREW | 216 | 129595051 | ADJUSTING SCREW |
| 173 | 128468251 | SHUTTLE RACE ASSEMBLY | 217 | 021670102 | NUT |
| 182 | 128581051 | SHUTTLE HOOK | 218 | 137191051 | STOP RING |
| 183 | X54429051 | SHUTTLE DRIVER ASSEMBLY | 219 | X54564051 | SPRING |
| 187 | X54433051 | COLLAR | 220 | X52062051 | RELEASE LEVER |
| 188 | 014400432 | SCREW | 221 | 120258051 | SCREW |
| 189 | X54514050 | SHUTTLE DRIVER SHAFT GEAR | 222 | 021670102 | NUT |
| 190 | 151602051 | SCREW | 223 | X52063051 | RELEASE LEVER SHAFT |
| 191 | 128582083 | BOBBIN CASE ASSEMBLY | 224 | X52064051 | SPRING |
| 192 | X52800050 | BOBBIN | 225 | 048040342 | STOP RING |
| 193 | 014400632 | SCREW | 226 | 025050132 | WASHER |
| 194 | X54439051 | ZIGZAG CONNECTING ROD ASSEMBLY | 227 | X52065051 | SLIDE FRAME SHAFT |

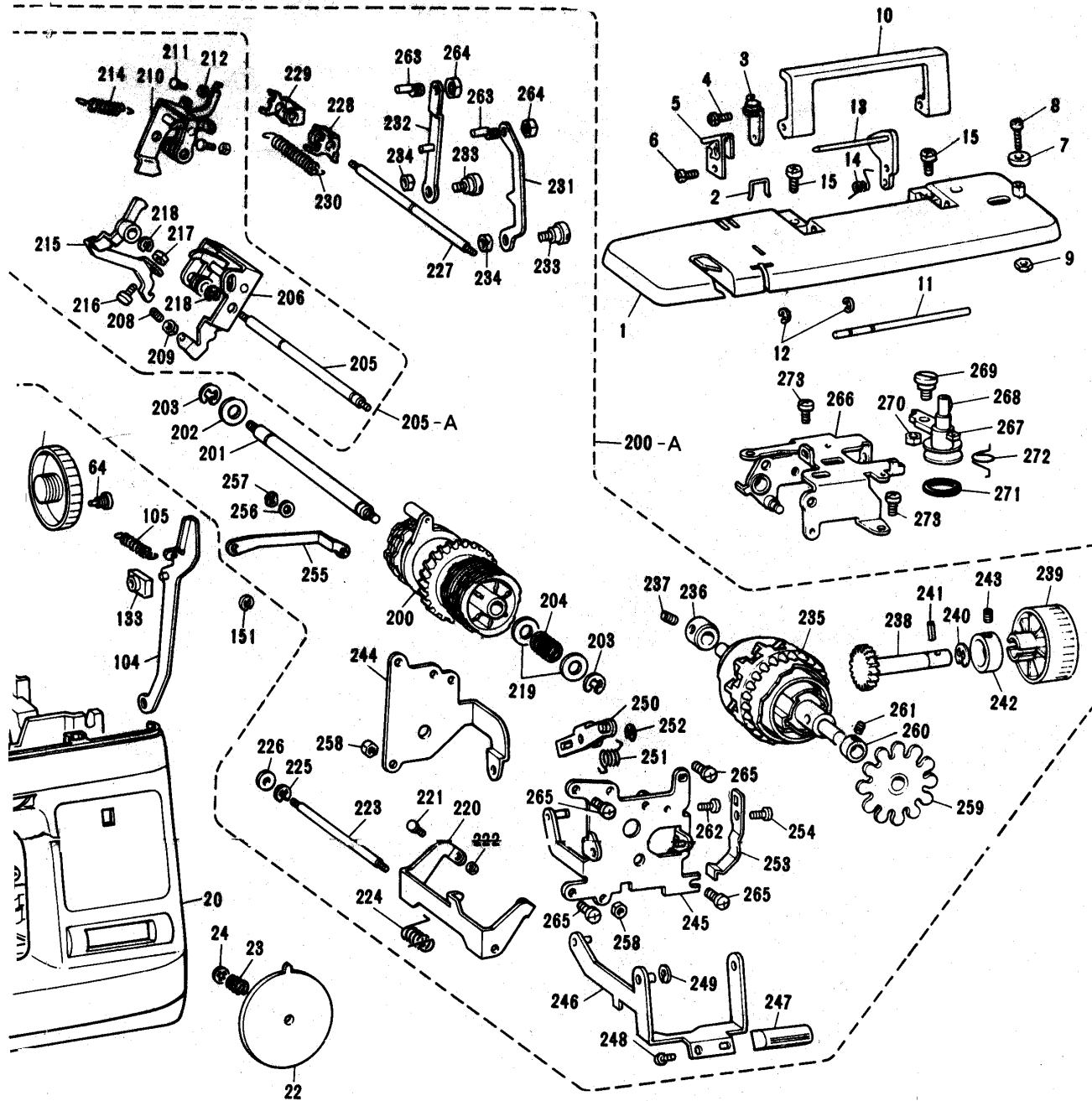
| REF. NO. | PARTS NO. | PARTS NAME | REF. NO. | PARTS NO. | PARTS NAME |
|----------|-----------|---------------------------------|----------|-----------|---------------------------|
| 228 | X52066151 | Z SLIDE FRAME | 262 | 060400616 | SCREW |
| 229 | X54798051 | F SLIDE FRAME | 263 | X54017051 | ADJUSTING SCREW |
| 230 | X52068151 | SPRING | 264 | 102571053 | NUT |
| 231 | X52069051 | Z SELECTING LEVER | 265 | 060400816 | SCREW |
| 232 | X52070051 | F SELECTING LEVER ASSEMBLY | 266 | X54518051 | FEED BRACKET |
| 233 | X52073051 | STUD SCREW | 267 | X54744051 | BOBBIN WINDER ASSEMBLY |
| 234 | 021400202 | NUT | 268 | 125928050 | SPRING |
| 235 | X54565051 | SELECTING CAM ASSEMBLY | 269 | 120263051 | STUD SCREW |
| 236 | X52077051 | COLLAR | 270 | 102571003 | NUT |
| 237 | 014400432 | SCREW | 271 | 120448051 | BOBBIN WINDER RUBBER RING |
| 238 | X52078001 | SELECTING GEAR | 272 | X52102051 | SPRING |
| 239 | X52080051 | SELECTING DIAL | 273 | 060400816 | SCREW |
| 240 | 048050342 | STOP RING | 274 | X55077151 | UPPER TENSION COMPLETE |
| 241 | 047251242 | SPRING PIN | 275 | X54519051 | TENSION RELEASER |
| 242 | 130096151 | COLLAR | 276 | X52073051 | STUD SCREW |
| 243 | 014400632 | SCREW | 277 | X54520051 | SCREW |
| 244 | X52091151 | UNIT BASE B | 278 | X54521051 | SEW-LIGHT ASSEMBLY |
| 245 | X54500051 | UNIT BASE F | 279 | X54872051 | NEEDLE BAR STOPPER |
| 246 | X54503051 | REVERSE SEWING LEVER A ASSEMBLY | 280 | 060400816 | SCREW |
| 247 | X54506051 | REVERSE SEWING BUTTON | 281 | X53061050 | SEW-LIGHT BULB |
| 248 | 138439001 | SCREW | 282 | X54786050 | CORD GUIDE |
| 249 | 048030342 | STOP RING | 283 | 060400616 | SCREW |
| 250 | X54660051 | REVERSE SEWING LEVER B ASSEMBLY | 284 | 414959001 | CORD GUIDE |
| 251 | X54626051 | SPRING | 285 | 130944051 | BELT |
| 252 | 048030342 | STOP RING | 286 | 537235001 | SCREW |
| 253 | X54568051 | SPRING | 287 | 138596051 | 3P SOCKET BODY |
| 254 | 060400616 | SCREW | 288 | 138597051 | 3P SOCKET COVER |
| 255 | X54507051 | FEED ADJUSTING CAM ROD | 289 | 138598050 | CONTACT PIN |
| 256 | 025350132 | WASHER | 290 | 062301602 | SCREW |
| 257 | 120454051 | STOP RING | 291 | 021300106 | NUT |
| 258 | 021400202 | NUT | 292 | 052401406 | SCREW |
| 259 | X54508050 | INDICATION GEAR | 293 | 214808000 | CONNECTOR |
| 260 | X52088051 | COLLAR | 294 | X54607051 | LEAD WIRE |
| 261 | 014400632 | SCREW | 295 | X54808051 | 3P SOCKET SUPPORTER |

| REF. NO. | PARTS NO. | PARTS NAME | | | |
|----------|-----------|----------------------|--|--|--|
| 296 | K54792051 | MOTOR COMPLETE | | | |
| 297 | K54143051 | CONTROLLER COMPLETE | | | |
| 298 | 132950051 | WASHER | | | |
| | 131865051 | <i>Driving Plate</i> | | | |

XL2010



XL2010



XL2010

