

# **PARTS REFERENCE LIST**

**for**

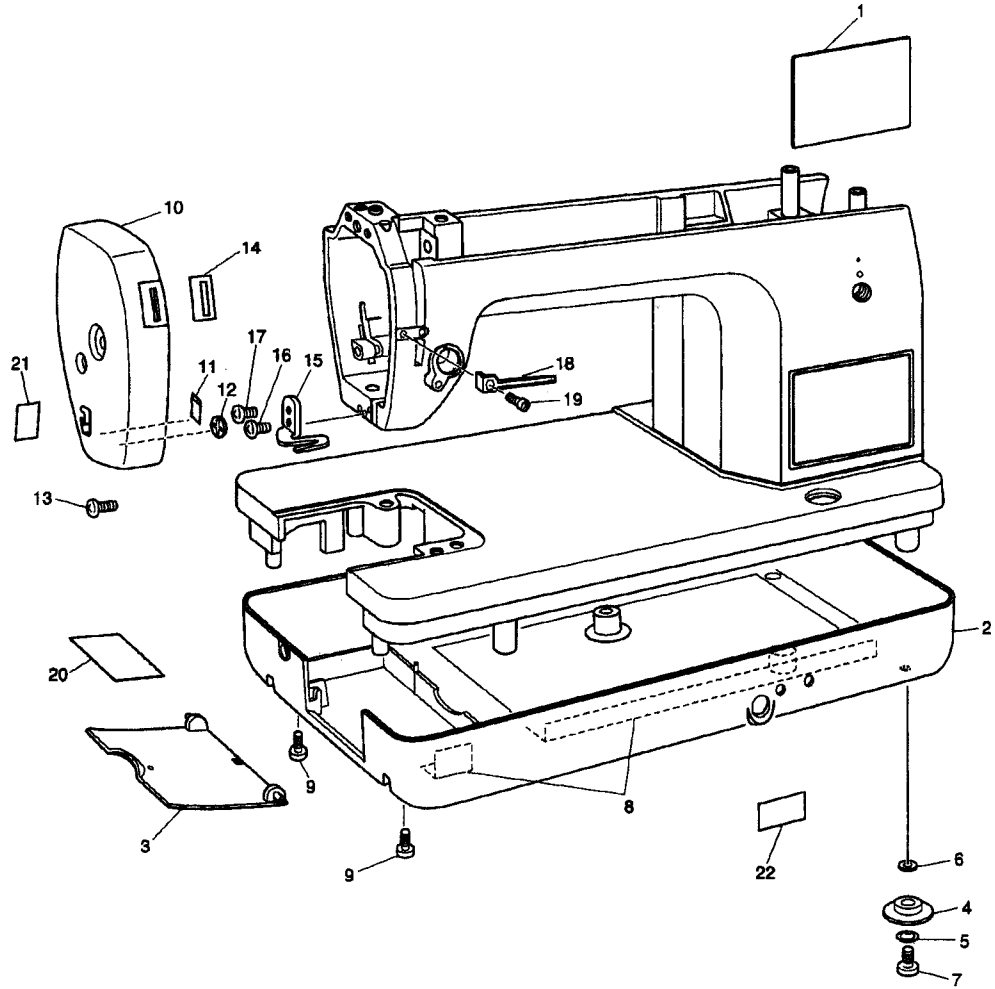
**Brother  
Model PQ1500**

# CONTENTS

(1) Principal Parts .....	3
(2) Top Plate .....	5
(3) Upper Shaft & Needle Bar .....	7
(4) Feed Mechanism .....	11
(5) Rotary Hook & Thread Cutting .....	13
(6) Lamp, Main PC Board Assy, Motor Unit .....	15
(7) Other Parts .....	17

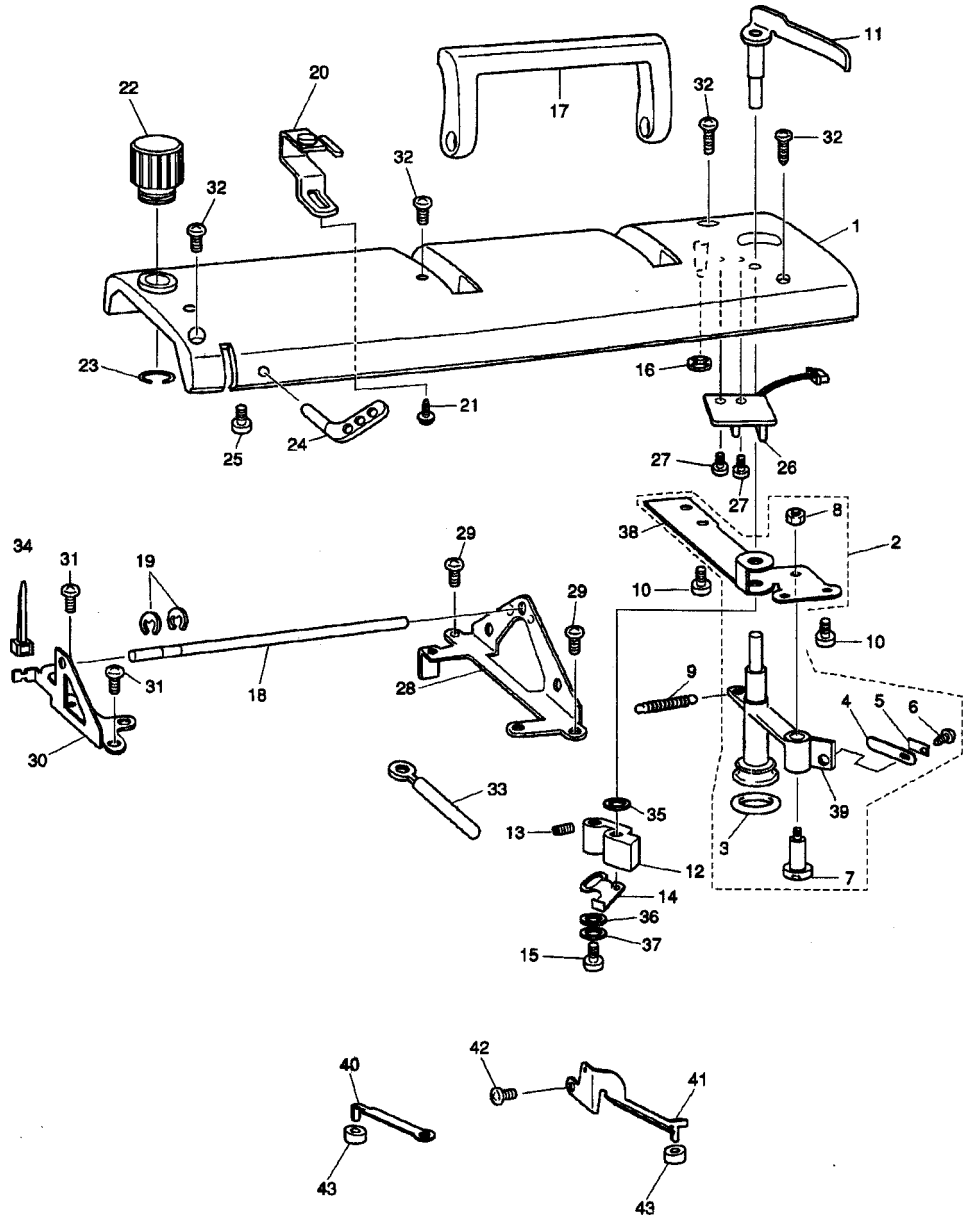
# (1) PRINCIPAL PARTS

No.	CODE	NAME	REMARKS
1	XA6103051	Drop operation panel	
2	XA8996051	Under cover	
3	XA8997051	Under cover door	
4	XA9801001	Rubber cushion	
5	XA9802001	Cushion support	
6	XA1776001	Washer	
7	060401016	Screw, Bind M4x10	
8	XA1781001	Base sheet	
9	060401016	Screw, Bind M4x10	
10	XA1210051	Face plate ASSY (120V)	
	XC0312051	Face plate ASSY (220-240V)	
11	X56033051	NT thread cutter	
12	146200051	Retaining ring CS4	
13	060401016	Screw, Bind M4x10	
14	XA6104051	Pressure adjusting panel	
15	XA0688051	Face plate thread guide	
16	060400816	Screw, Bind M4x8	
17	060400616	Screw, Bind M4x6	
18	XA0866051	Arm thread guide	
19	004401014	Screw	
20	XA2107201	Caution Label (120V)	
21	XA6100001	Label	
22	XA8289001	Knee lifter label	



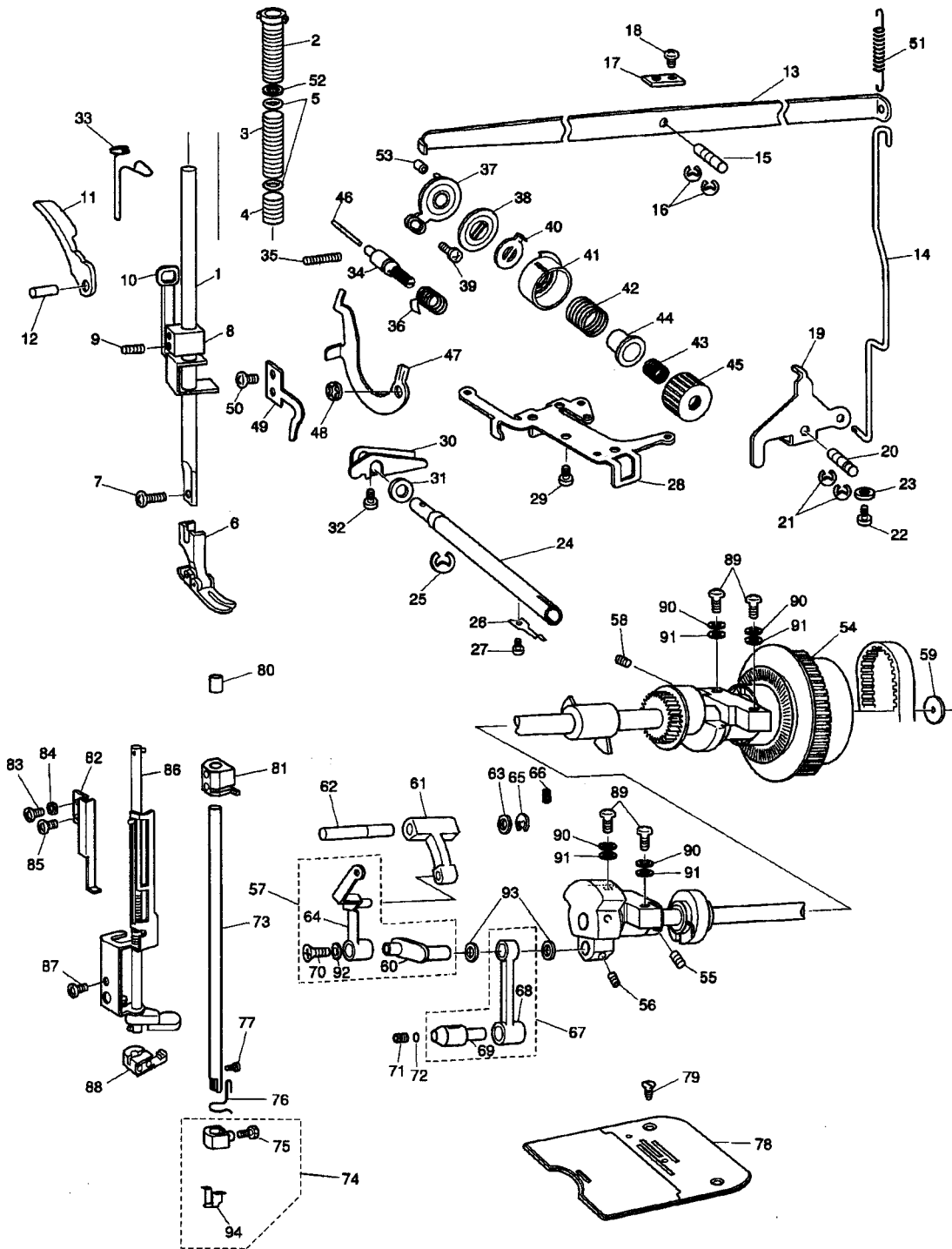
## (2) TOP PLATE

No.	CODE	NAME	REMARKS
1	XA8990060	Top plate	
2	XA8991051	Bobbin winder ASSY	
3	120448051	Rubber ring	
4	X58993051	Spring Plate	
5	X50532051	Plate	
6	060400616	Screw, Bind M4x6	
7	XA0663051	Screw	
8	X56960051	Nut 3, M4	
9	129514051	Spring	
10	136681051	Taptite Bind B M3x8	
11	XA8993051	Bobbin presser ASSY	
12	XA0667050	Bobbin winder plate	
13	014400432	Set screw, Socket(CP)M4x4	
14	XA0668050	Bobbin winder shutter	
15	060400616	Screw, Bind M4x6	
16	X56655051	Retaining ring, CSTW-35	
17	XA0669051	Carrying handle	
18	XA0670051	Carrying handle shaft	
19	048050346	Retaining ring, E5	
20	XA0671051	Thread guide ASSY	
21	136681051	Taptite Bind B M3x8	
22	XA0673051	Presser knob	
23	XA0674251	Presser knob spring	
24	XA8995001	Thread guide plate	
25	138433051	PTaptite, Pan B M3x6	
26	XA0922001	Bobbin winder sensor PCB ASSY	
27	136681001	Taptite Bind B M3x8	
28	XA0675151	Carrying handle holder R	
29	X57908051	Taptite, Bind S M4x10	
30	XA0676051	Carrying handle holder L	
31	X57908051	Taptite, Bind S M4x10	
32	060401016	Screw, Bind M4x10	
33	T31049001	Coating Clip CS-6	
34	T22220000	Band	
35	137713050	Washer	
36	025040232	Washer, Plain M4	
37	028040243	Spring washer	
38	XA8992051	Bobbin winder bracket	
39	XA0660151	B-Winder shaft ASSY	
40	XA9015051	Oil plate A	
41	XA9016051	Oil plate B	
42	060400416	Screw, Bind M4x4	
43	XA2177001	Felt	



### (3) UPPER SHAFT AND NEEDLE BAR

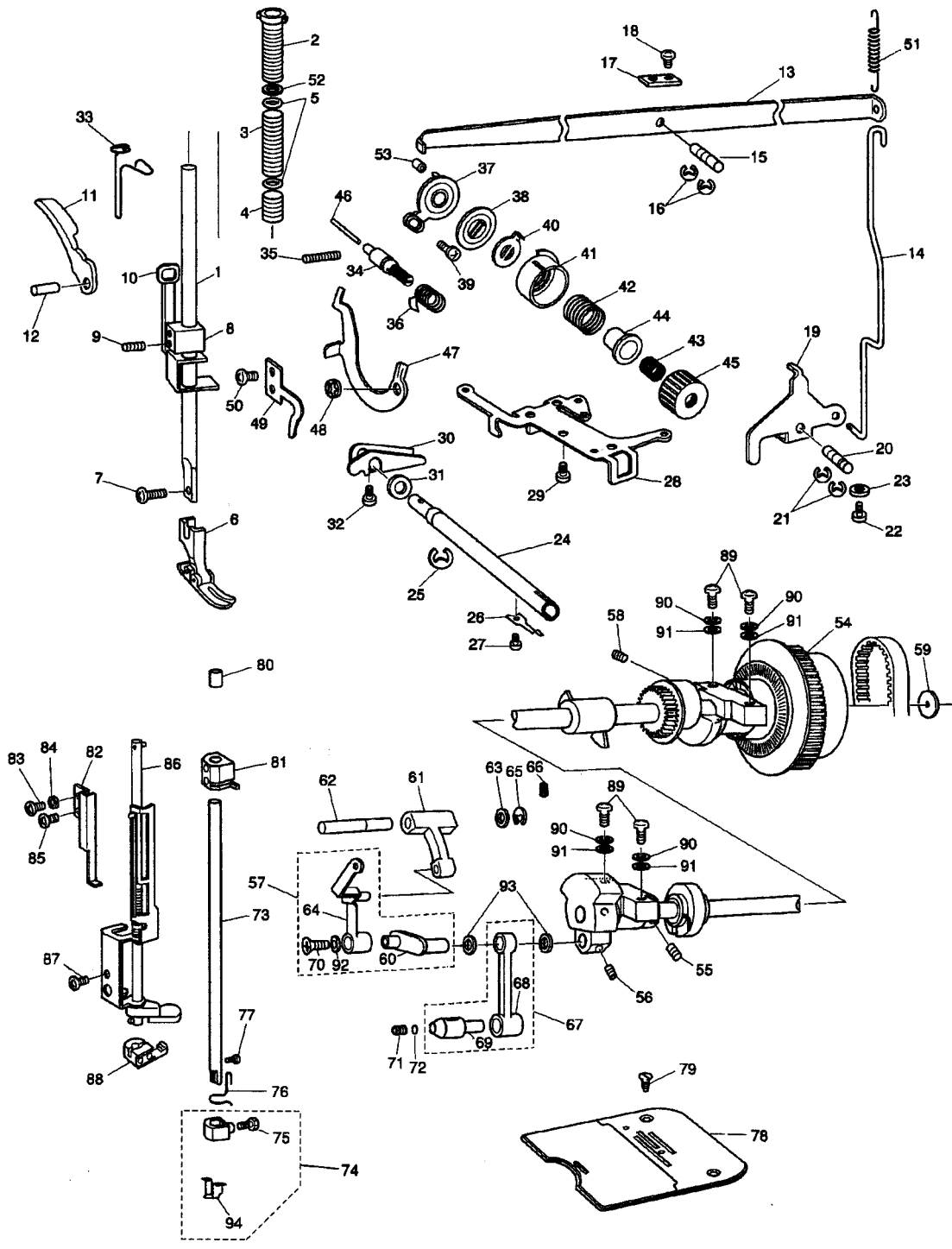
No.	CODE	NAME	REMARKS	No.	CODE	NAME	REMARKS
1	XA0737051	Presser bar		45	XA0864051	Tension dial	
2	XA0738000	Presser bar screw		46	XA0865050	Thread release pin	
3	XA1320051	Presser bar spring U		47	XA9033151	Thread release plate	
4	XA1321151	Presser bar spring D		48	146200001	Retaining ring CS4	
5	141099001	Ring wire		49	XA0868051	Tension thread guide	
6	136021001	Presser foot ASSY		50	X57908051	Taptite, Bind S M4x10	
7	060670814	Screw, Bind 3.57-40x8		51	XA0798051	Spring	
8	XA0739050	Presser bar bracket		52	131976050	Washer	
9	014060832	Set screw, Socket(CP)M6x8		53	XA2262001	Tube	
10	XA0740051	Presser bar lifter		54	XA8998351	Upper shaft ASSY	
11	X57848051	Presser foot lifter		55	014500832	Set screw, Socket(CP)M5x8	
12	XA0741051	Presser foot lifter stud		56	123006051	Set screw	
13	XA0742151	Knee lifting arm		57	XA9009151	Link thread take-up ASSY	
14	XA0743051	Knee lifter connecting rod		58	014500832	Set screw, Socket(CP)5x8	
15	XA0744051	Knee lifting arm stud		59	XA9002051	Bl. End plate	
16	048040346	Retaining ring, E4		60	XA9011051	Needle bar crank	
17	X50532051	Plate		61	XA1680000	Supporting lever	
18	X57908051	Taptite, Bind S M4x10		62	XA0718051	Supporting lever shaft	
19	XA0745051	Knee lifter connecting plate		63	X59743051	Washer	
20	XA0746051	Knee lifter connecting plate stud		64	XA9010051	Link thread take-up	
21	048040346	Retaining ring, E4		65	048060346	Retaining ring, E6	
22	X57908051	Taptite, Bind S M4x10		66	014400632	Set screw, Socket(CP)M4x6	
23	125324051	Washer		67	XA9012151	Crank rod ASSY	
24	XA0747151	Knee lifter shaft		68	XA9013050	Needle bar crank rod	
25	048070346	Retaining ring, E7		69	XA9014151	Needle bar block	
26	125117051	Pin stopper		70	132051052	Screw, Flat 3.57L	
27	125812001	Screw		71	014680432	Set screw, Socket(CP)4.37-40x4	
28	XA0748051	Knee lifter shaft bracket		72	100507050	Metal plate	
29	X57908051	Taptite, Bind S M4x10		73	XA0722351	Needle bar	
30	XA0749051	Knee lifter shaft arm		74	X80880001	Needle clamp ASSY	
31	131976000	Washer		75	118521001	Screw, Pan 3.57	
32	018401032	Set screw, Socket(CP)M4x10		76	XA1777000	Needle bar thread guide	
33	XA0750151	Indication rod		77	062630612	Screw, Pan 2.38-56x6	
34	XA0854151	Tension dial shaft		78	XA6466051	Needle plate ASSY (120V)	
35	X57950051	Set screw			XA0726151	Needle plate ASSY (220-240V)	
36	XA0856251	Thread take-up spring		79	XA1120051	Screw	
37	XA0857001	Tension plate A		80	XA2177001	Felt	
38	XA0858001	Tension plate B		81	XA0869050	Needle threader position setter	
39	060400816	Screw, Bind M4x8		82	XA0870051	Needle threader position limiter	
40	XA0859051	Washer		83	060300616	Screw, Bind M3x6	
41	XA0860051	Tension dial case		84	028030246	Washer, spring	
42	XA0861051	Tension spring A		85	060300416	Screw, Bind M3x4	
43	XA0862151	Tension spring B		86	XA0871051	Needle threader ASSY	
44	XA0863050	Tension spring sleeve		87	060400616	Screw, Bind M4x6	





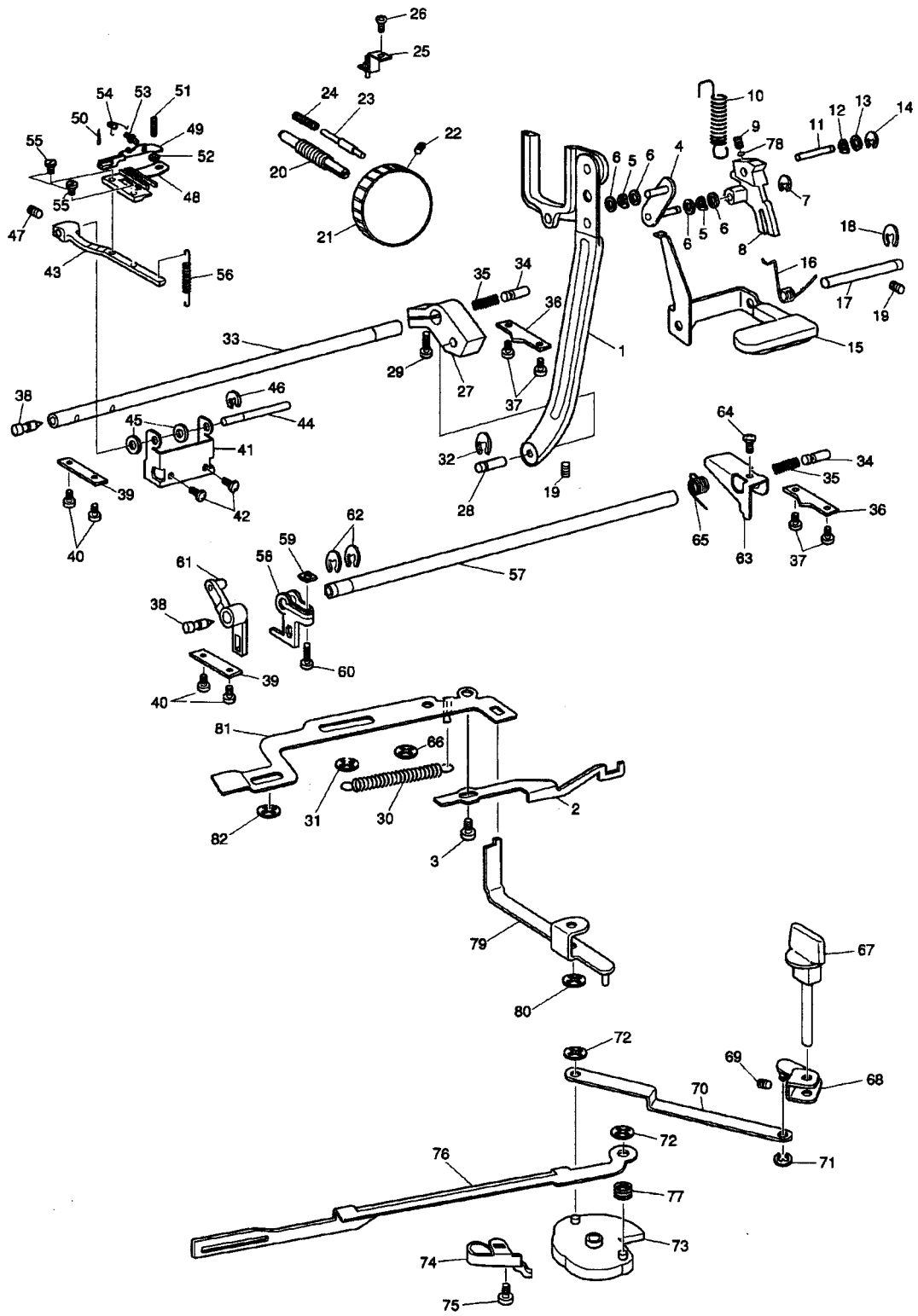
### (3) UPPER SHAFT AND NEEDLE BAR

No.	CODE	NAME	REMARKS
88	XA0877101	Threader hook ASSY	
89	060402016	Screw, Bind 4x20	
90	028040242	Washer, Spring 2.4	
91	025040232	Washer, Plain M4	
92	X59743051	Washer, Plain 6	
93	X51383000	Washer, Thrust	
94	XA0724200	Needle anti-set plate	



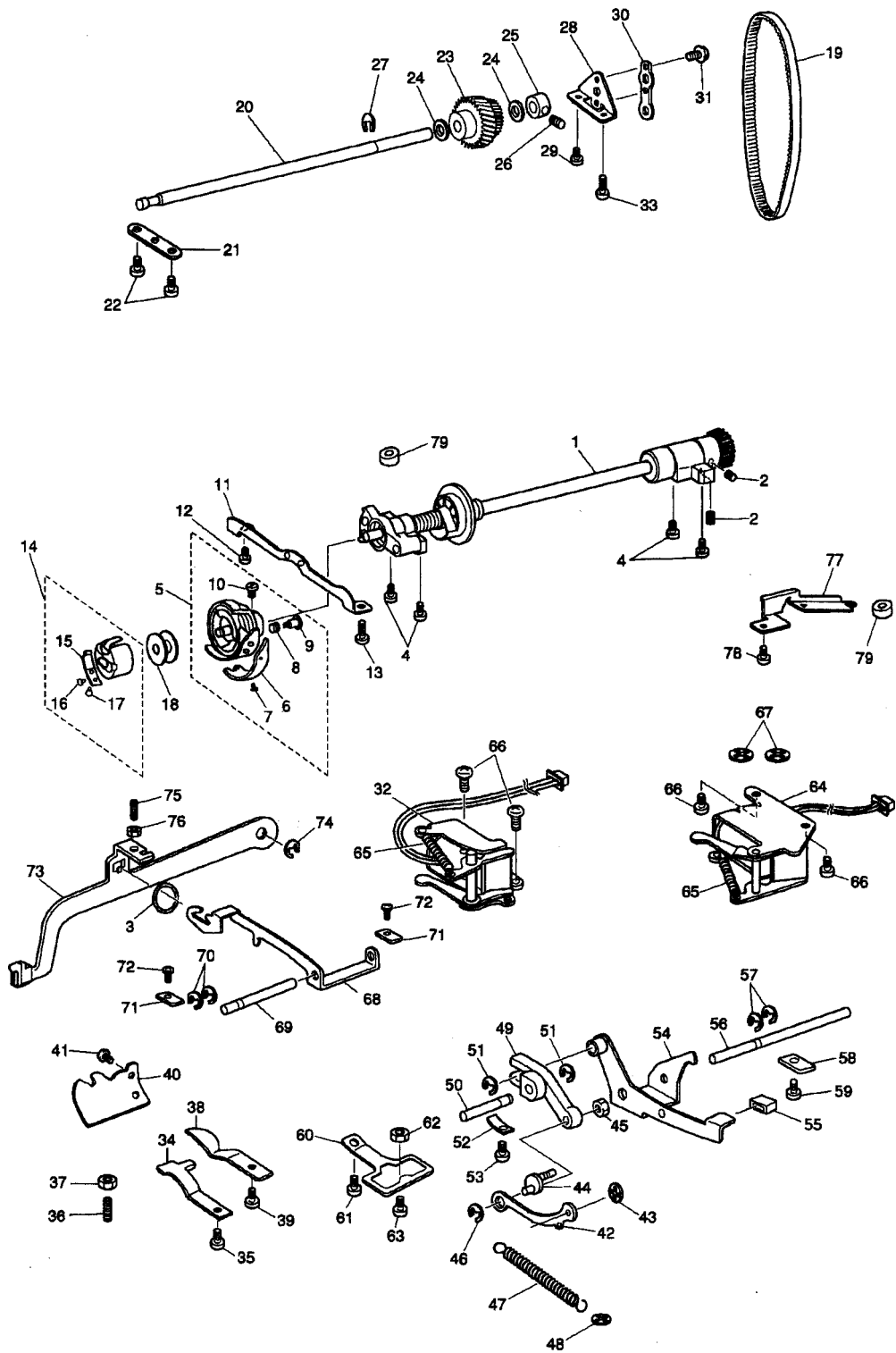
## (4) FEED MECHANISM

No.	CODE	NAME	REMARKS	No.	CODE	NAME	REMARKS
1	XA9018151	Feed rod ASSY		45	X50546050	Washer	
2	XA0824051	Lower needle UD rod		46	048040346	Retaining ring, E4	
3	060400416	Screw, Bind M4x4		47	014500632	Set screw, Socket(CP)M5x6	
4	XA9022051	Feed link ASSY		48	XA0791001	Feed dog	
5	XA0889001	Washer, wave spring		49	XA0792001	Lower needle arm ASSY	
6	X50546050	Washer		50	136062001	Lower needle	
7	048050346	Retaining ring, E5		51	136063001	Lower needle adjusting screw	
8	XA9026050	Feed adjusting ASSY		52	405077001	Nut, 2.38	
9	014060832	Set screw, Socket(CP)M6x8		53	XA0795001	Stud screw, M1.6	
10	XA0763051	Spring		54	XA0796001	Lower needle arm spring	
11	XA0764051	Feed adjusting shaft		55	XA0797051	Screw, M3	
12	109239001	Washer, wave spring		56	XA0798051	Spring	
13	XA0765051	Washer		57	XA0799150	Vertical feed shaft	
14	048060346	Retaining ring, E6		58	XA0800051	Vertical feed adjusting lever	
15	XA0766051	Reverse stitching lever		59	X54384051	Nut, M4	
16	XA0769051	Reverse stitching spring		60	018401432	Set screw, Socket(CP)M4x14	
17	XA0770051	Reverse stitching lever shaft		61	XA0801051	Vertical feed arm ASSY	
18	048060346	Retaining ring, E6		62	048080346	Retaining ring, E8	
19	014400632	Set screw, Socket(CP)M4x6		63	XA0805051	Vertical feeding cam	
20	XA9084051	Feed adjusting screw		64	060401016	Screw, Bind M4x10	
21	XA0772051	Feed adjusting dial		65	XA0806051	Spring	
22	014400632	Set screw, Socket(CP)M4x6		66	146200001	Retaining ring CS4	
23	XA0774051	Plunger		67	XA0807051	Drop knob	
24	XA0775051	Spring, Compression		68	XA0809051	Drop lever	
25	XA0776051	Presser plate ASSY		69	014400832	Set screw, Socket(CP)M4x8	
26	060400616	Screw, Bind M4x6		70	XA0812051	Drop connecting rod	
27	XA9027050	Horizontal feed arm ASSY		71	048030346	Retaining ring, E3	
28	XA9028051	Stud, Feed rocker arm		72	146200001	Retaining ring CS4	
29	060401416	Screw, Bind M4x14		73	XA0813050	Lower needle cam	
30	XA0823151	Spring		74	XA0815051	Knot spring plate	
31	146200001	Retaining ring CS4		75	060400616	Screw, Bind M4x6	
32	048050346	Retaining ring, E5		76	XA0816051	Vertical setting lever	
33	XA0781050	Horizontal feed shaft		77	XA0817051	Spring, Compression	
34	XA0782051	Support shaft		78	100507050	Washer	
35	XA0783051	Spring, Compression		79	XA0818051	Lower needle selecting rod	
36	XA0784051	Presser plate R		80	146200001	Retaining ring CS4	
37	060400816	Screw, Bind M4x8		81	XA0822051	Lower needle rod	
38	XA0785051	Taper point stud		82	120454001	Retaining ring CS4	
39	XA0786051	Presser plate L					
40	060400816	Screw, Bind M4x8					
41	XA0787051	Horizontal feed plate					
42	060401016	Screw, Bind M4x10					
43	XA0788050	Feed bar					
44	XA0789051	Feed bar shaft					



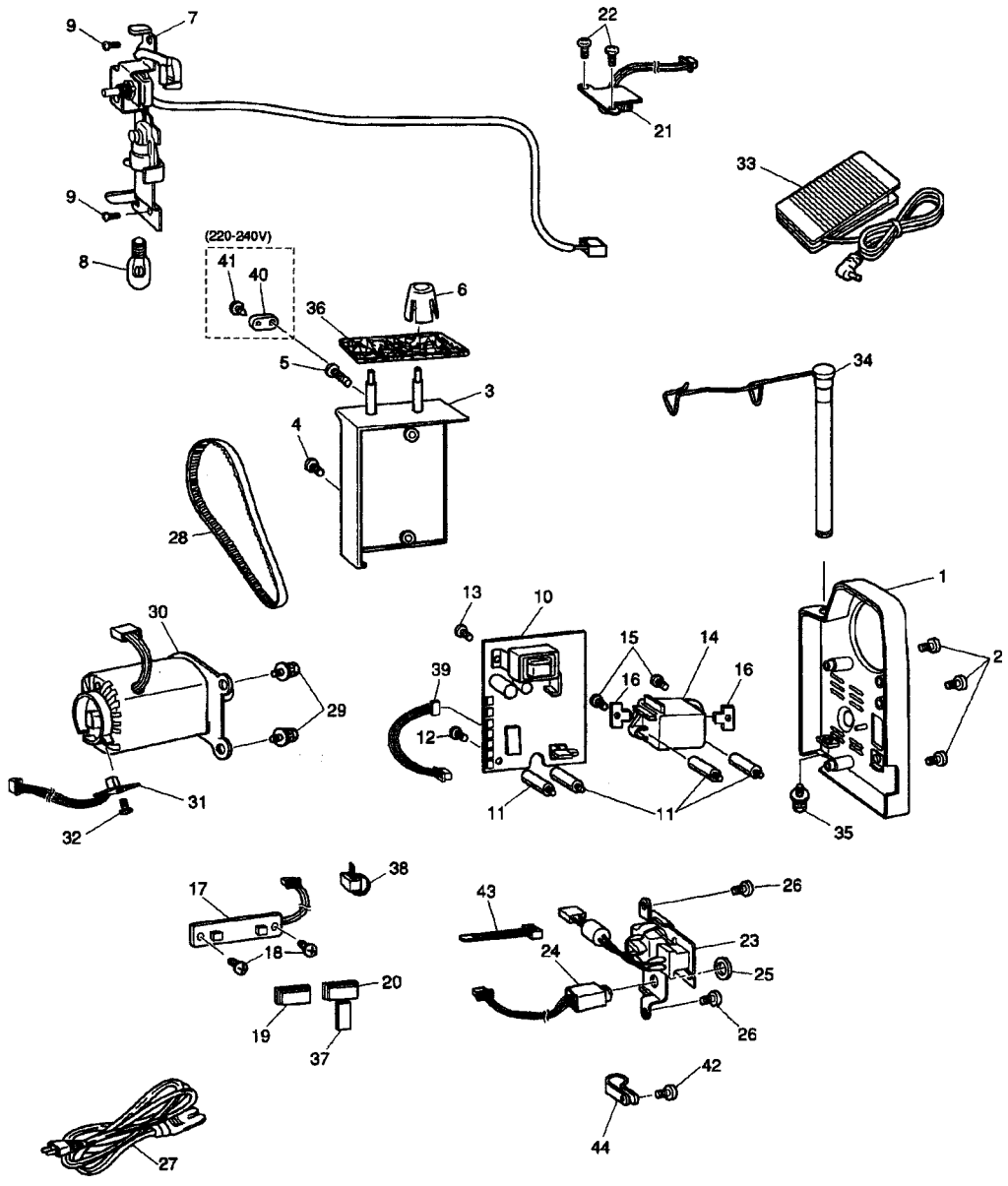
## (5) ROTARY HOOK AND THREAD CUTTING

No.	CODE	NAME	REMARKS	No.	CODE	NAME	REMARKS
1	XA9029451	Lower shaft ASSY		45	021300306	Nut, 3 M3	
2	014060632	Set screw, Socket(CP)M6x6		46	048030346	Retaining ring, E3	
3	081010870	O ring S10		47	XA0887001	Spring	
4	XA9008101	Screw, Bind M4x16D		48	146200001	Retaining ring CS4	
5	XA1208001	Rotary hook-629		49	XA0888150	Thread cutting lever	
6	184982001	Outer rotary hook plate		50	XA0890050	Thread cutting lever stud	
7	184983001	Screw, Pan 2.38		51	048050346	Retaining ring, E5	
8	184984001	Spring, Compression		52	XA0891051	Presser plate	
9	184985001	Stud screw 1.58		53	X57908051	Tapite, Bind S M4x10	
10	184986001	Screw 4.46		54	XA0892351	Thread cutter cam lever ASSY	
11	XA0842101	Inner rotary hook bracket ASSY		55	XA0896000	Rubber	
12	060401016	Screw, Bind M4x10		56	XA0897251	Thread cutter cam lever stud	
13	060401616	Screw, Bind M4x16		57	048060346	Retaining ring, E6	
14	S06573001	Bobbin case ASSY		58	X50532051	Presser plate	
15	183388001	Bobbin case tension plate		59	X57908051	Tapite, Bind S M4x10	
16	183389001	Tension setting screw		60	XA4085150	Dumping plate	
17	183390001	Screw		61	X57908051	Tapite, Bind S M4x10	
18	100376003	Bobbin		62	X56851051	Lock nut	
19	XA9030001	Timing belt 500-5GT-8		63	060401016	Screw, Bind M4x10	
20	XA0848051	Idle pulley shaft		64	XA0899251	Thread cutter solenoid ASSY	
21	X57943051	Presser plate		65	XA0905051	Spring, Extension	
22	X57908051	Tapite, Bind S M4x10		66	060400816	Screw, Bind M4x8	
23	XA9031051	Idle pulley		67	146200001	Retaining ring CS4	
24	X51383050	Washer		68	XA9034051	Tension release plate A	
25	137768151	Set collar		69	XA9035051	Tension release plate A stud	
26	014400432	Set screw, Socket(CP)M4x4		70	048040346	Retaining ring, E4	
27	048070346	Retaining ring, E7		71	X50532051	Presser plate	
28	XA0852051	Tension adjusting plate bracket		72	X57908051	Tapite, Bind S M4x10	
29	060401016	Screw, Bind M4x10		73	XA4066251	Tension release plate B	
30	XA0853051	Tension adjusting plate		74	048040346	Retaining ring, E4	
31	0A4400808	Screw, Pan(S/P Washer)M4x8		75	011401212	Set screw, (FT)M4x12	
32	XA9036051	Tension release solenoid ASSY		76	X56960051	Nut, 3 M4	
33	060401216	Screw, Bind M4x12		77	XA9032051	Oil plate C	
34	XA0883001	Fixed blade		78	X57908051	Tapite, Bind S M4x10	
35	062400616	Screw, Pan M4x6		79	XA2177001	Felt	
36	014400832	Set screw, Socket(CP)M4x8					
37	X56960051	Nut, 3 M4					
38	XA0884051	Thread supporting plate					
39	062400616	Screw, Pan M4x6					
40	XA0885001	Movable blade					
41	148537101	Screw 4.37					
42	XA3344051	Thread cutter rod					
43	146200001	Retaining ring CS4					
44	XA3343051	Movable blade adjusting screw					



## (6) LAMP, MAIN PC BOARD ASSY AND MOTOR UNIT

No.	CODE	NAME	REMARKS	No.	CODE	NAME	REMARKS
1	XA4819053	Belt cover		28	XA0916001	Timing belt 162XL-025	
2	060401016	Screw, Bind M4x10		29	X55609001	Bolt(S/P Washer)M5x12	
3	XA0678451	Motor cover (120V)		30	XA9095051	Motor;MM-352-23 (120V)	
	XC0453051	Motor cover (220-240V)			XC0531051	Motor;MM-352-51 for EUROPE, AUSTRALIA, NEW ZEALAND	
4	060401016	Screw, Bind M4x10			XC0726051	Motor;MM-352-52 for KOREAN	
5	060401616	Screw, Bind M4x16		31	XA0968251	MM-352S board ASSY	
6	XA0679050	Spool cushion		32	136681051	Tapite, Bind B M3x8	
7	XC0575051	Lamp ASSY (120V)		33	XA3931051	Foot controller;FC-306-81	
	XC0314151	Lamp ASSY (220-240V)		34	XA4818001	Thread guide bar ASSY	
8	X53061000	Sew-light bulb (120V)		35	052401406	Screw, Pan (S/P Washer)M4x14	
	205336050	Sew-light bulb (220-240V)		36	XA0693051	Sponge	
9	060400616	Screw, Bind M4x6		37	XA0694051	Plate	
10	X81245101	Main PC board ASSY (120V, with BW lead wire)		38	T22220000	Band	
	X81307001	Main PC board ASSY (120V, without BW lead wire)		39	XC0586001	ASSY, LEAD WIRE	
	X81305001	Main PC board ASSY (220-240V, without BW lead wire)		40	XC0430051	Motor caver cap (220-240V)	
11	XA1152051	Stud		41	037300816	Tapping screw, pan VM 3x8 (220-240V)	
12	060400816	Screw, Bind M4x8		42	060400816	Screw, Bind M4x8 (For cord holder)	
13	060401416	Screw, Bind M4x14		43	X53169050	Band	
14	XA0828151	Trans cover		44	S00480000	Cord holder #5	
15	060401016	Screw, Bind M4x10					
16	XA0829051	Nut					
17	XA0939001	Operation PC board ASSY (120V)					
	XC0523001	Operation PC board ASSY (220-240V)					
18	060400616	Screw, Bind M4x6					
19	XA0826251	Key top (for thread cutter)					
20	XA0826252	Key top (for NP)					
21	XA0942001	NP board ASSY					
22	060400826	Screw, Bind M4x8					
23	XA6055051	SW holder ASSY (120V)					
	XC0525051	SW holder ASSY (220-240V)					
24	XA0949001	Pin jack ASSY (120V)					
	XC0529001	Pin jack ASSY (220-240V)					
25	X51271001	Jack nut					
26	X57908051	Tapite, Bind S M4x10					
27	XA2815051	Power supply code for U.S.A., CANADA					
	XA0070051	Power supply code for EUROPE					
	XA1291051	Power supply code for KOREAN					
	X59328051	Power supply code for AUSTRALIA, NEW ZEALAND					





## (7) OTHER PARTS

No.	CODE	NAME	REMARKS
1	XA4527001	Cleaning brush	
2	125877001	Screwdriver(Medium)	
3	125878001	Screwdriver(Small)	
4	X57138001	Rolled hem foot	
5	148475001	Invisible zipper foot	
6	112797001	Zipper foot	
7	100376003	Bobbin	
8	XA2111000	Spool cap	
9	138483001	Feed pin ASSY	
10	117934009	Feed pin changer	
11	184720001	Fabric separator	
12	062670812	Screw, Pan 3.57-40x8	
13	XA1425001	General purpose foot	
14	XA0917052	Cover	
15	XA7253001	Walking foot	
16	XA7255101	Quilting foot	
17	XA7256001	Seam guide	
18	XA7258001	1/4" foot	
19	XA0830001	Knee lifter	
20	X80805001	Needle set	
	193635006	Instruction manual for English, French	
	193635007	Instruction manual for German, Dutch	
	X61195002	Carton ASSY (120V)	
	X61580001	Carton ASSY (220-240V)	
	X60757000	SF ASSY	
	163535000	Bag, 750x600	

