

PARTS CATALOGUE FOR

XL 3025

XL 4040

XL 4041/XL 4041AV

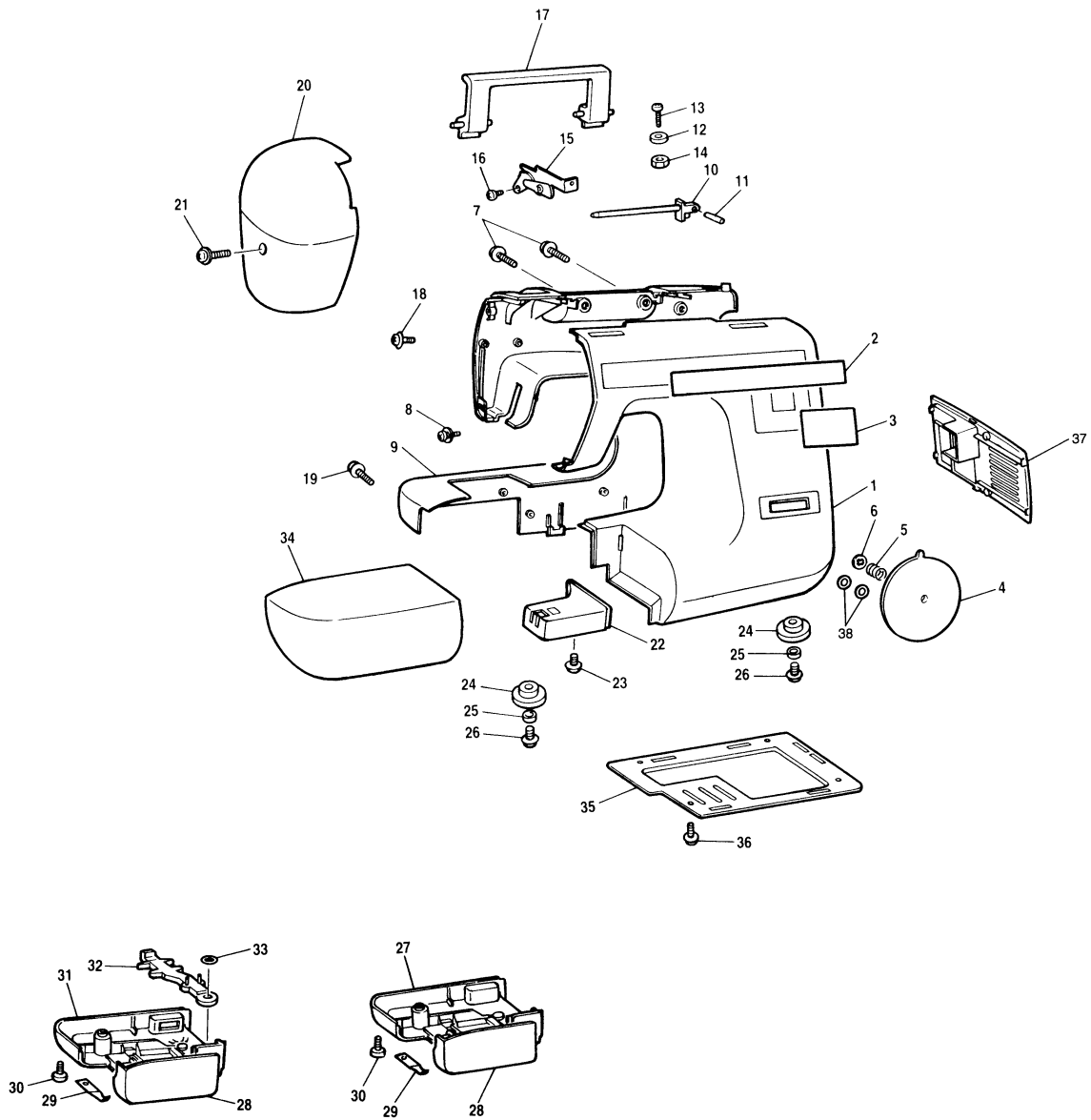
XL 4045

CONTENTS

| | |
|---|----|
| (1) PRINCIPAL PARTS | 2 |
| (2) UPPER SHAFT, NEEDLE BAR AND FEED MECHANISM | 4 |
| (3) SHUTTLE HOOK, BH AND FEED ADJUST MECHANISM | 8 |
| (4) PATTERN SELECTION MECHANISM..... | 10 |
| (5) LAMP, THREAD GUIDE AND MOTOR UNIT..... | 12 |
| (6) ACCESSORY | 14 |

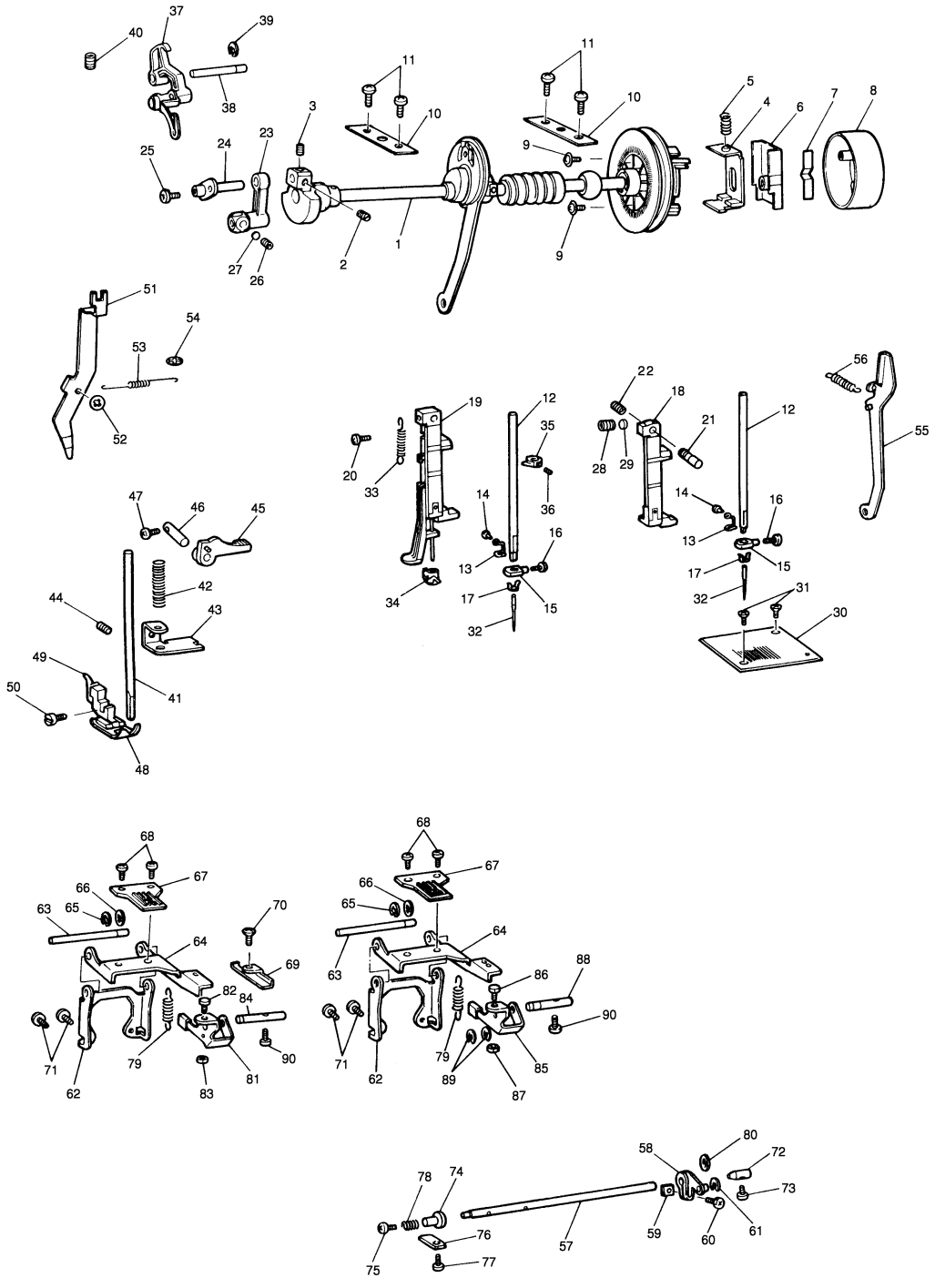
(1) PRINCIPAL PARTS

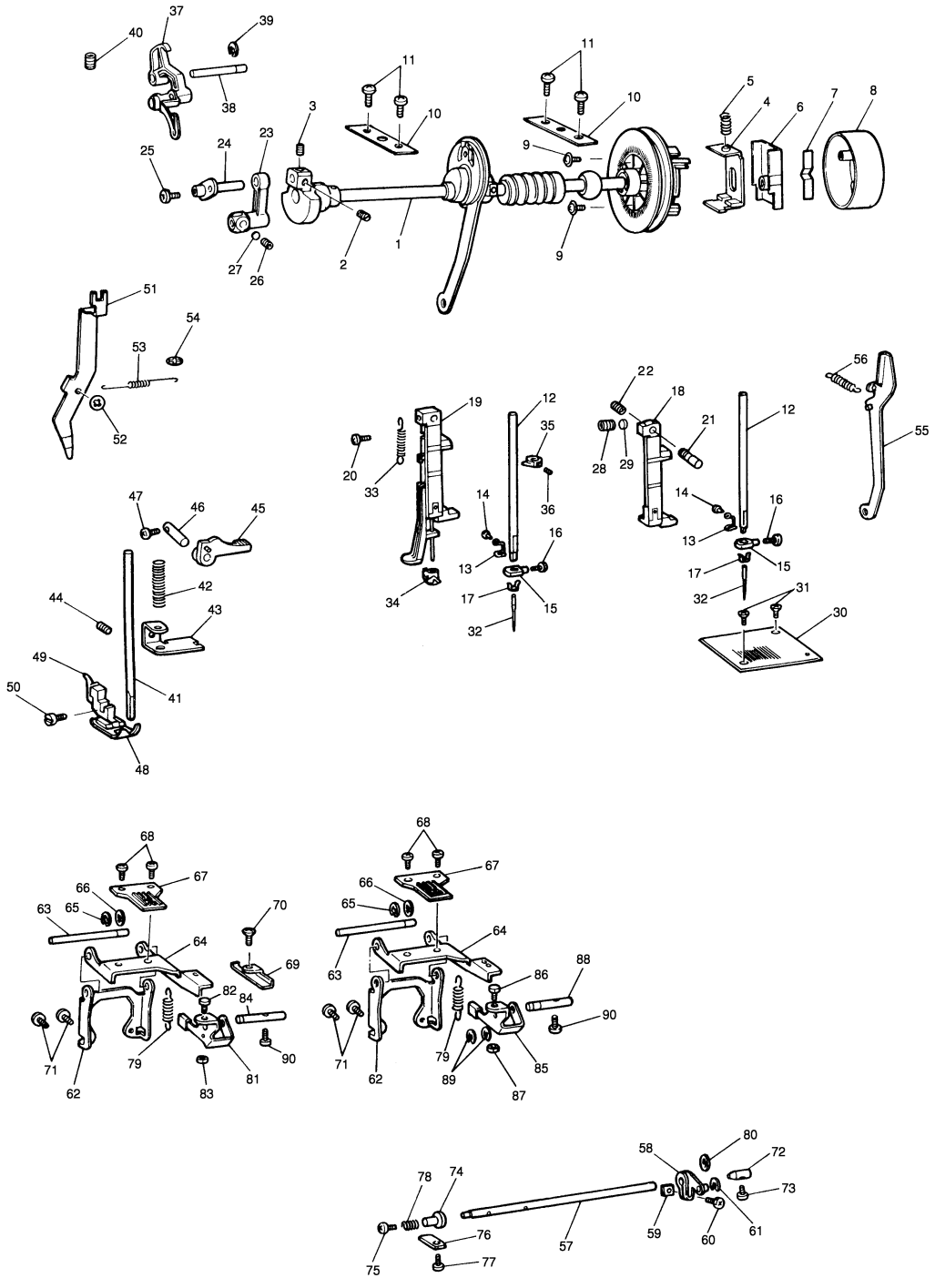
| No. | PARTS No. | PARTS NAME | REMARKS | No. | PARTS No. | PARTS NAME | REMARKS |
|-----|-----------|-----------------------------|---------|-----|-----------|----------------|---------|
| 1 | X59592051 | Front cover | | 36 | X57297051 | Screw | |
| 2 | X59593051 | Decoration plate A (XL3025) | | 37 | X59109051 | Switch cover A | |
| | X59593077 | Decoration plate A (XL4040) | | 38 | X57355050 | Washer | |
| | X59593078 | Decoration plate A (XL4041) | | | | | |
| | XA2335060 | Decoration plate A (XL4045) | | | | | |
| 3 | X59594051 | Decoration plate B (XL3025) | | | | | |
| | X59594067 | Decoration plate B (XL4040) | | | | | |
| | X59594068 | Decoration plate B (XL4041) | | | | | |
| | X59594088 | Decoration plate B (XL4045) | | | | | |
| 4 | X59595051 | Pattern indicator plate | | | | | |
| 5 | X50223051 | Spring | | | | | |
| 6 | 146200051 | Stop ring | | | | | |
| 7 | XA3337051 | Screw | | | | | |
| 8 | 053400806 | Screw | | | | | |
| 9 | X59052151 | Rear cover | | | | | |
| 10 | X59053051 | Spool pin | | | | | |
| 11 | XA4471051 | Spool pin shaft | | | | | |
| 12 | X59864151 | Bobbin presser | | | | | |
| 13 | 052301606 | Screw | | | | | |
| 14 | 021300106 | Nut | | | | | |
| 15 | X59055051 | Thread guide assembly | | | | | |
| 16 | 138433051 | Screw | | | | | |
| 17 | X59101051 | Carrying handle | | | | | |
| 18 | 053400806 | Screw | | | | | |
| 19 | 052401406 | Screw | | | | | |
| 20 | X59598051 | Face plate | | | | | |
| | X59665051 | Face plate (U.S.A.) | | | | | |
| | X59670051 | Face plate (U.K.) | | | | | |
| 21 | 052401406 | Screw | | | | | |
| 22 | X59601051 | Foot cover | | | | | |
| 23 | X57300051 | Screw | | | | | |
| 24 | X58361050 | Rubber cushion | | | | | |
| 25 | X56474051 | Spacer | | | | | |
| 26 | X57297051 | Screw | | | | | |
| 27 | X59103051 | Bed cover | | | | | |
| 28 | X59104051 | Hinged door | | | | | |
| 29 | X53638151 | Spring | | | | | |
| 30 | 052401406 | Screw | | | | | |
| 31 | X59106051 | Bed cover | | | | | |
| 32 | X59348051 | Drop lever | | | | | |
| 33 | 138384051 | Stop ring | | | | | |
| 34 | X59602051 | Accessory table | | | | | |
| 35 | X59108050 | Base plate | | | | | |
| | X59465050 | Base plate (dual motor) | | | | | |



(2) UPPER SHAFT, NEEDLE BAR AND FEED MECHANISM

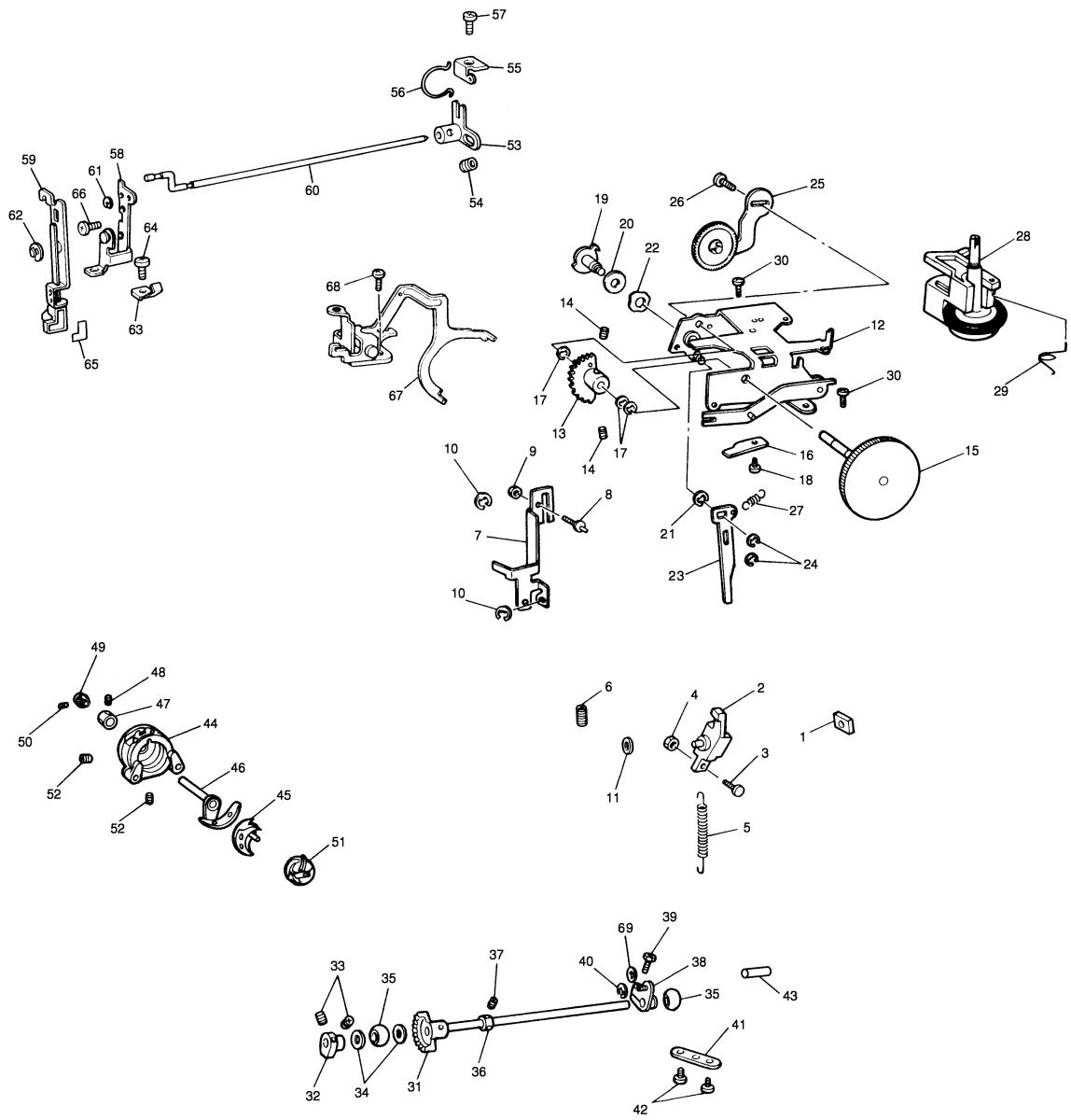
| No. | PARTS No. | PARTS NAME | REMARKS | No. | PARTS No. | PARTS NAME | REMARKS |
|-----|-----------|---------------------------------|---------|-----|-----------|------------------------------|---------|
| 1 | XA0297151 | Upper shaft assembly | | 44 | 013061212 | Screw | |
| 2 | X54013051 | Screw | | 45 | X51943151 | Presser foot lifter | |
| 3 | 123006051 | Screw | | 46 | X54552051 | Presser foot lifter stud | |
| 4 | XA0287050 | Clutch release | | 47 | X57913051 | Screw | |
| 5 | XA0291051 | Spring | | 48 | 138135052 | Zigzag presser foot | |
| 6 | X59286051 | Clutch release switch | | 49 | 138134051 | Presser foot holder assembly | |
| 7 | X59287051 | Spring | CHG | 50 | 132730151 | Thumb screw | |
| 8 | X59289051 | Balance wheel | CHG | 51 | X52653151 | Tension release plate C | |
| 9 | 136869051 | Screw | | 52 | 120454051 | Stop ring | |
| 10 | X57907051 | Bushing presser | | 53 | X51946051 | Spring | |
| 11 | X57908051 | Screw | | 54 | 120454051 | Stop ring | |
| 12 | 136872151 | Needle bar | | 55 | X54375051 | Feed connecting rod | |
| 13 | X50109050 | Needle bar thread guide | | 56 | X54378051 | Spring | |
| 14 | X53053052 | Screw | | 57 | X57917051 | Horizontal feed shaft | |
| 15 | 129627051 | Needle clamp | | 58 | X54381051 | Horizontal feed shaft arm | |
| 16 | 131226051 | Needle clamp screw | | 59 | X54384051 | Nut | |
| 17 | 125161080 | Needle guide plate | | 60 | 060401416 | Screw | |
| 18 | X54366150 | Needle bar supporter | | 61 | 048050346 | Stop ring | |
| 19 | X54713451 | Needle bar supporter assembly | | 62 | X57919051 | Horizontal feed plate | |
| 20 | 060300616 | Screw | | 63 | X57920051 | Feed bar shaft | |
| 21 | X54368051 | Needle bar supporter stud | | 64 | X59118051 | Feed bar | |
| 22 | X54369051 | Spring | | 65 | 048030346 | Stop ring | |
| 23 | X52650151 | Needle bar crank rod assembly | | 66 | 146200051 | Stop ring | |
| 24 | X59115051 | Needle bar crank | | 67 | X54389051 | Feed dog | |
| 25 | 132051052 | Screw | | 68 | 060300416 | Screw | |
| 26 | 014680432 | Screw | | 69 | X59120051 | Feed plate cover | |
| 27 | 100507050 | Metal plate | | 70 | 061300416 | Screw | |
| 28 | 014400432 | Screw | | 71 | 060400816 | Screw | |
| 29 | 138607050 | Washer | | 72 | X54390051 | Taper point stud R | |
| 30 | X57911051 | Zigzag needle plate | | 73 | X57913051 | Screw | |
| 31 | X50487051 | Screw | | 74 | X54391150 | Taper point stud L | |
| 32 | 100028014 | Needle | | 75 | 062400416 | Screw | |
| | 117914114 | Needle (Germany) | | 76 | 137734051 | Presser plate A | |
| 33 | X50476051 | Spring | | 77 | X57908051 | Screw | |
| 34 | X54817152 | Hook assembly | | 78 | X56613051 | Spring | |
| 35 | X52882150 | Needle threader position setter | | 79 | X54393051 | Spring | |
| 36 | 014400432 | Screw | | 80 | X53330050 | Washer | |
| 37 | X52651151 | Thread take-up assembly | | 81 | X59122051 | Vertical feed plate | |
| 38 | X59254051 | Thread take-up lever stud | | 82 | X59124051 | Adjusting screw | |
| 39 | 048040346 | Stop ring | | 83 | X56960051 | Nut | |
| 40 | 014400632 | Screw | | 84 | X59125051 | Vertical feed shaft | |
| 41 | 128437050 | Presser bar | | 85 | X54395051 | Vertical feed plate | |
| 42 | X57914051 | Presser bar spring | | 86 | X54397051 | Adjusting screw | |
| 43 | X57915051 | Presser bar guide bracket | | 87 | 102571056 | Nut | |





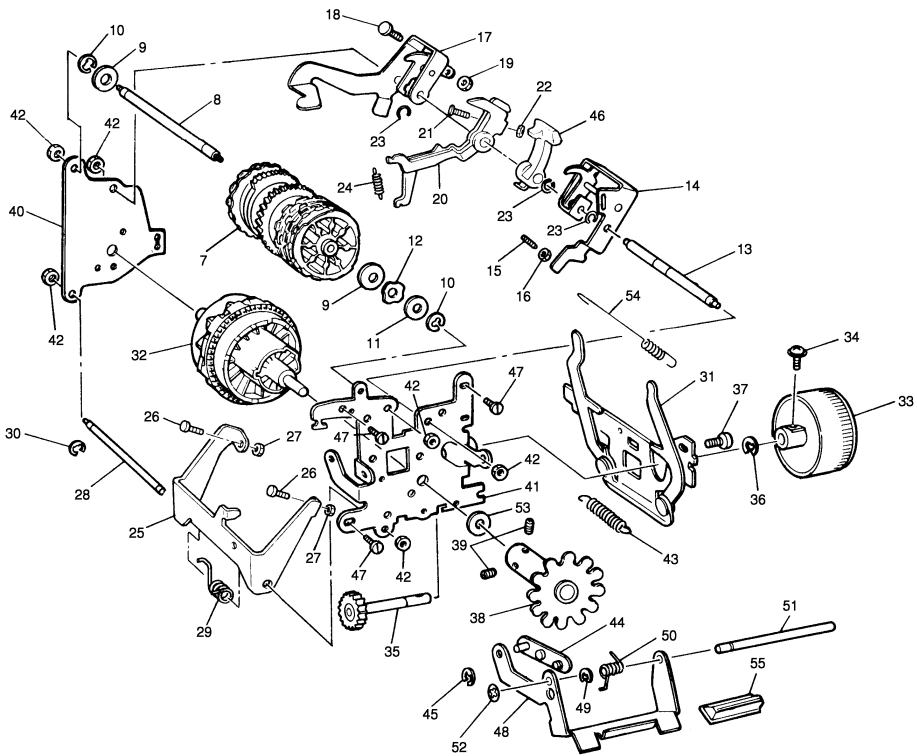
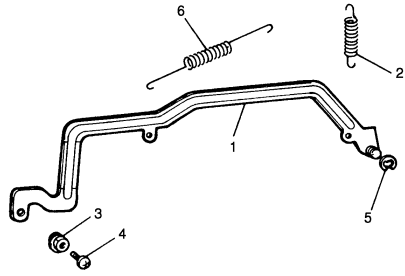
(3) SHUTTLE HOOK, BH AND FEED ADJUST MECHANISM

| No. | PARTS No. | PARTS NAME | REMARKS | No. | PARTS No. | PARTS NAME | REMARKS |
|-----|-----------|-----------------------------|---------|-----|-----------|---------------------------|---------|
| 1 | X55473051 | Slide block | | 45 | 128581051 | Shuttle hook | |
| 2 | X59710051 | Feed regulator assembly | | 46 | X54429051 | Shuttle driver assembly | |
| 3 | X59200051 | Screw | | 47 | X54433051 | Collar | |
| 4 | X56960051 | Nut | | 48 | 014400432 | Screw | |
| 5 | X59127051 | Spring | | 49 | X54514050 | Shuttle driver shaft gear | |
| 6 | 014400632 | Screw | | 50 | 151602051 | Screw | |
| 7 | X59604051 | Reverse sewing lever C | CHG | 51 | 128582053 | Bobbin case assembly | |
| 8 | X59223051 | Screw | | 52 | 014400632 | Screw | |
| 9 | X56960051 | Nut | | 53 | 136994351 | BH change arm | |
| 10 | 048040346 | Stop ring | | 54 | 014400432 | Screw | |
| 11 | X53330050 | Washer | | 55 | 136996151 | BH notched spring plate | |
| 12 | X59130051 | Feed bracket plate assembly | | 56 | 136997051 | BH spring | |
| 13 | X51965151 | Feed dial gear A assembly | CHG | 57 | 060400816 | Screw | |
| 14 | 014400432 | Screw | | 58 | X54458151 | BH stopper plate assembly | |
| 15 | X59184151 | Feed regulating dial | CHG | 59 | X57236051 | BH lever assembly | |
| 16 | X54979051 | Spring | | 60 | X54464151 | BH change shaft | |
| 17 | 048040346 | Stop ring | | 61 | 048020346 | Stop ring | |
| 18 | 060400416 | Screw | | 62 | 048050346 | Stop ring | |
| 19 | X57803051 | BH adjusting eccentric stud | | 63 | X54461051 | Spring | |
| 20 | 128491051 | Washer | | 64 | 060400616 | Screw | |
| 21 | 048050346 | Stop ring | | 65 | 131428051 | BH lever plate | |
| 22 | X57150051 | Spring washer | | 66 | X57908051 | Screw | |
| 23 | X57422051 | BH adjusting lever | | 67 | X59138051 | BH stopper assembly | |
| 24 | 048030346 | Stop ring | | 68 | X57908051 | Screw | |
| 25 | X59198051 | Feed gear B assembly | | 69 | X53330050 | Washer | |
| 26 | 060401416 | Screw | | | | | |
| 27 | X51978051 | Spring | | | | | |
| 28 | X59189051 | Bobbin winder assembly | | | | | |
| 29 | X52102051 | Spring | | | | | |
| 30 | X57908051 | Screw | | | | | |
| 31 | X58483051 | Lower shaft assembly | | | | | |
| 32 | X54424050 | Vertical feed cam | | | | | |
| 33 | 014400432 | Screw | | | | | |
| 34 | X51383050 | Washer | | | | | |
| 35 | X52664050 | Lower shaft bushing | | | | | |
| 36 | 137768151 | Collar | | | | | |
| 37 | 014400432 | Screw | | | | | |
| 38 | XA1319051 | Lower shaft crank assembly | | | | | |
| 39 | X59255051 | Screw | | | | | |
| 40 | 048050346 | Stop ring | | | | | |
| 41 | X57943051 | Bushing presser | | | | | |
| 42 | X57908051 | Screw | | | | | |
| 43 | XA0532051 | Shaft | | | | | |
| 44 | X56767051 | Shuttle race assembly | | | | | |



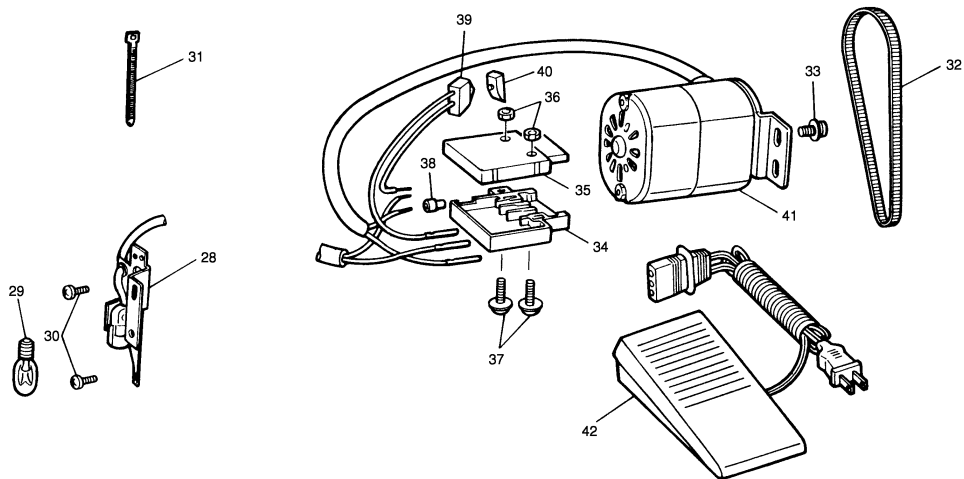
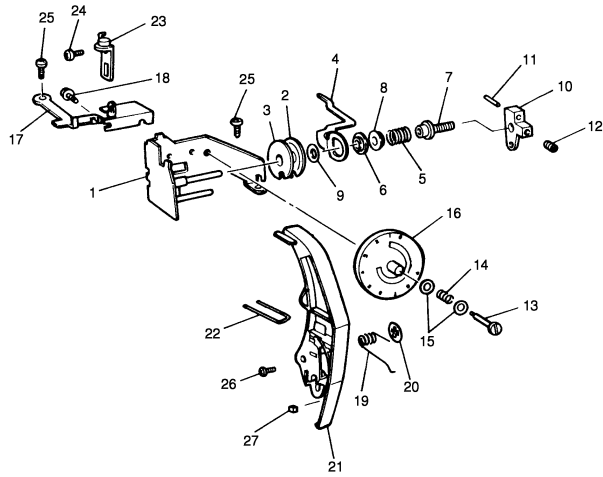
(4) PATTERN SELECTION MECHANISM

| No. | PARTS No. | PARTS NAME | REMARKS | No. | PARTS No. | PARTS NAME | REMARKS |
|-----|-----------|--|---------|-----|-----------|---------------------------------|---------|
| 1 | X59135151 | Zigzag connecting rod assembly | | 44 | X59616051 | Reverse sewing lever B assembly | |
| 2 | X59387051 | Spring | | 45 | 048040346 | Stop ring | |
| 3 | X50559050 | Adjusting nut | | 46 | X56868051 | BHZ finger | |
| 4 | 062301006 | Screw | | 47 | X57908051 | Screw | |
| 5 | 048040346 | Stop ring | | 48 | X59612051 | Reverse sewing lever A assembly | |
| 6 | X52005151 | Spring | | 49 | 048030346 | Stop ring | |
| 7 | X59143051 | Pattern cam assembly | | 50 | X59620051 | Spring | |
| 8 | X59788051 | Pattern cam shaft | | 51 | XA0060051 | Reverse sewing lever shaft | |
| 9 | 128491051 | Washer | | 52 | 146200051 | Stop ring | |
| 10 | 048050346 | Stop ring | | 53 | X53330050 | Washer | |
| 11 | X59743051 | Washer | | 54 | X56887051 | Spring | |
| 12 | X59765051 | Spring washer | | 55 | X59615051 | Reverse sewing button | |
| 13 | X56863051 | Finger shaft | | | | | |
| 14 | X59146051 | Z finger frame assembly | | | | | |
| 15 | 125322051 | Screw | | | | | |
| 16 | 021670102 | Nut | | | | | |
| 17 | X59148051 | F finger frame assembly | | | | | |
| 18 | 120258051 | Screw | | | | | |
| 19 | 021670102 | Nut | | | | | |
| 20 | X52053051 | BHF finger assembly | | | | | |
| 21 | 120258051 | Screw | | | | | |
| 22 | 021670102 | Nut | | | | | |
| 23 | 137191051 | Stop ring | | | | | |
| 24 | X52058051 | Spring | | | | | |
| 25 | X54991151 | Release lever | | | | | |
| 26 | 120258051 | Screw | | | | | |
| 27 | 021670102 | Nut | | | | | |
| 28 | X52063151 | Release lever shaft | | | | | |
| 29 | X52064051 | Spring | | | | | |
| 30 | 048040346 | Stop ring | | | | | |
| 31 | X57485051 | Selecting lever holder assembly | | | | | |
| 32 | X59152051 | Selecting cam assembly (21 pattern) | | | | | |
| 33 | X59154051 | Selecting dial | | | | | |
| 34 | 052401406 | Screw | | | | | |
| 35 | X59155051 | Selecting gear | | | | | |
| 36 | 048050346 | Stop ring | | | | | |
| 37 | X57908051 | Screw | | | | | |
| 38 | X59621051 | Indication gear | | | | | |
| 39 | 014400632 | Screw | | | | | |
| 40 | X56881051 | Unit base B assembly | | | | | |
| 41 | X59609051 | Unit base F assembly | | | | | |
| 42 | 021400205 | Nut | | | | | |
| 43 | X56886051 | Spring | | | | | |



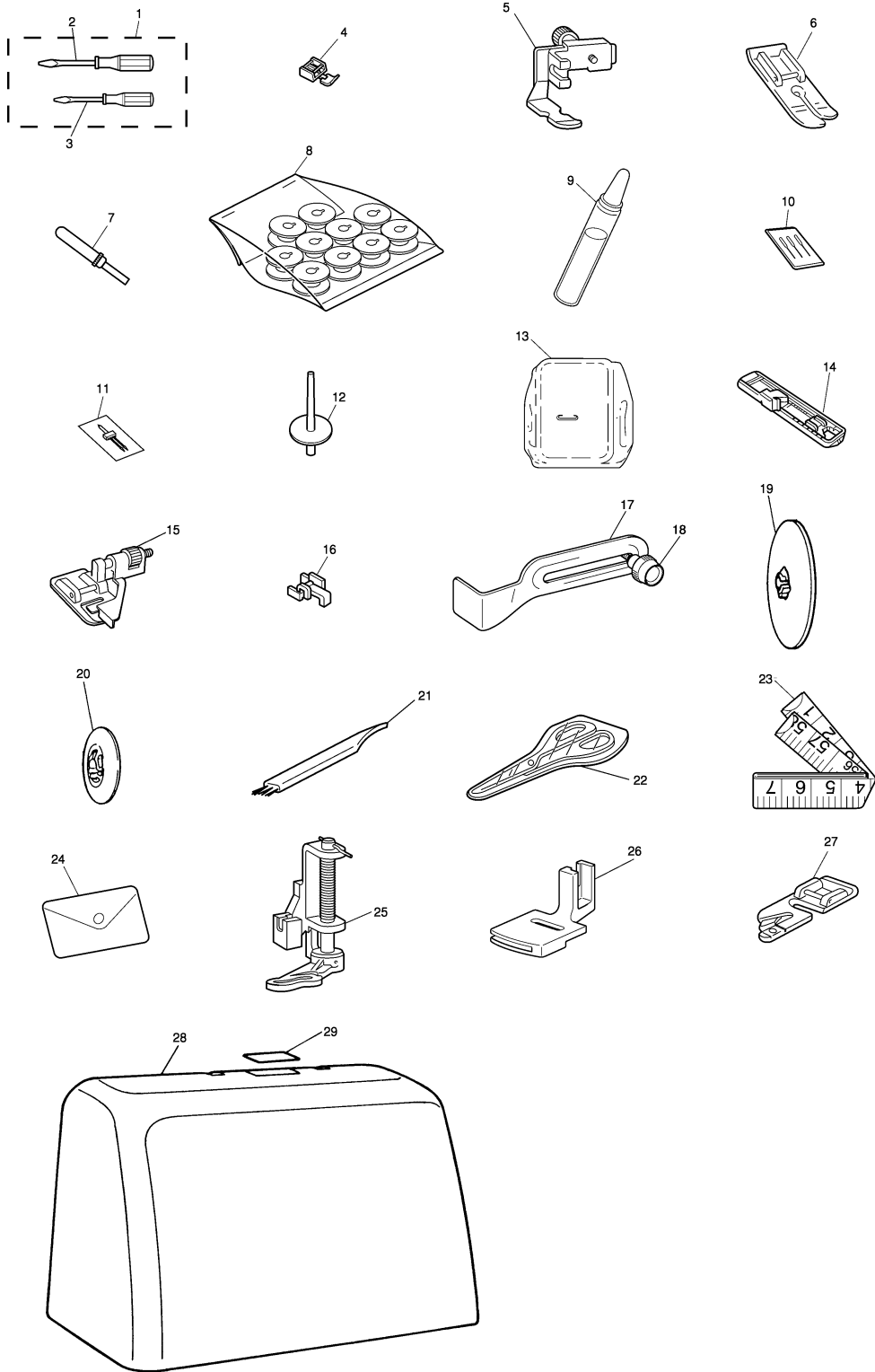
(5) LAMP, THREAD GUIDE AND MOTOR UNIT

| No. | PARTS No. | PARTS NAME | REMARKS | No. | PARTS No. | PARTS NAME | REMARKS |
|-----|-----------|--|---------|-----|-----------|--|---------|
| 1 | X59164051 | Thread guard assembly | | 41 | X57041151 | Motor complete (U.S.A.) | |
| 2 | XA0084051 | Tension disc | | | X55352151 | Motor complete (Canada) | |
| 3 | XA0083051 | Tension disc | | | J13127849 | Motor complete (220V) | |
| 4 | X52122051 | Tension releaser B | | | J13127172 | Motor complete (230V) | |
| 5 | X55842051 | Spring | | | XC1691051 | MOTOR : MM-271-96 (240V) | CHG |
| 6 | 137881051 | Tension disc washer | | | XA1228051 | Motor complete (220V/230-240V) | |
| 7 | X50765251 | Thread tension control screw | | | J01694051 | Motor complete (110-120/220V) | |
| 8 | X50702050 | Spring washer | | 42 | XC6659051 | FOOT CONTROLLER : FC-317-21-LF (U.S.A.) | CHG |
| 9 | 025060132 | Washer | | | XC6661051 | FOOT CONTROLLER : FC-317-22-LF (Canada) | CHG |
| 10 | X52643051 | Tension control nut | | | XA6400051 | Foot controller complete (220-240V) | |
| 11 | 047260850 | Spring pin | | | XA6402051 | Foot controller complete (U.K.) | |
| 12 | 012400432 | Screw | | | XA6404051 | Foot controller complete (Australia, New Zealand) | |
| 13 | X52120051 | Tension dial shaft | | | XA6434051 | Foot controller complete (dual motor) | |
| 14 | X59290051 | Spring | | | XA6418051 | Foot controller complete (Germany) | |
| 15 | 226392050 | Washer | | | | | |
| 16 | X59166051 | Tension dial | | | | | |
| 17 | X59167051 | Thread guard supporter plate | | | | | |
| 18 | 060300416 | Screw | | | | | |
| 19 | X59168151 | Spring | | | | | |
| 20 | 138384051 | Stop ring | | | | | |
| 21 | X59624151 | Thread guard cover | | | | | |
| 22 | X59170050 | Thread guard wire | | | | | |
| 23 | X59226151 | Bobbin winder thread guide assembly | CHG | | | | |
| 24 | U12017051 | Screw | | | | | |
| 25 | X57908051 | Screw | | | | | |
| 26 | 060400816 | Screw | | | | | |
| 27 | X59786050 | Gum | | | | | |
| 28 | XC0496051 | Sew-light assembly (110-120V) | CHG | | | | |
| | X59291051 | Sew-light assembly (220-240V) | | | | | |
| 29 | X53061050 | Sew-light bulb (110-120V) | | | | | |
| | 205336050 | Sew-light bulb (220-240V) | | | | | |
| 30 | X57908051 | Screw | | | | | |
| 31 | X53169050 | Band | | | | | |
| 32 | 130944051 | Belt | | | | | |
| 33 | XA3004051 | Screw | | | | | |
| 34 | X59176051 | 3P socket body | | | | | |
| 35 | X59177051 | 3P socket cover | | | | | |
| 36 | 021400205 | Nut | | | | | |
| 37 | 052403006 | Screw | | | | | |
| 38 | 214808050 | Connector | CHG | | | | |
| 39 | X59178051 | PW switch assembly (110-120V) | | | | | |
| | X59337051 | PW switch assembly (220-240V) | | | | | |
| 40 | X57554051 | PW switch key-top | | | | | |



(6) ACCESSORY

| No. | PARTS No. | PARTS NAME | REMARKS |
|-----|-----------|----------------------------------|---------|
| 1 | X55466051 | Screwdriver | |
| 2 | X55467051 | Screwdriver (M) | |
| 3 | X55468051 | Screwdriver (S) | |
| 4 | X59370051 | Zipper foot | |
| 5 | 128585051 | Zipper foot | |
| 6 | XA6124001 | Straight foot (with UPC) | |
| | XA6124002 | Straight foot (without UPC) | |
| 7 | X54243001 | Seam ripper | |
| 8 | XA5537051 | Bobbin (with UPC) | |
| | XA5537052 | Bobbin (without UPC) | |
| 9 | X55465051 | Oiler | |
| 10 | X57117051 | Needle set | |
| 11 | X57521001 | Needle set T | |
| 12 | 130920051 | Extra spool pin | |
| 13 | XA3442151 | Feed dog cover | |
| 14 | 128215081 | Buttonhole foot | |
| 15 | XA7000001 | Blind stitch foot (with UPC) | |
| | XA7000002 | Blind stitch foot (without UPC) | |
| 16 | X59375051 | Button fitting foot | |
| 17 | 128590051 | Stitch guide | |
| 18 | 128591051 | Screw | |
| 19 | 130012053 | Spool presser A | |
| 20 | 130013053 | Spool presser B | |
| 21 | X59476051 | Cleaning brush | |
| 22 | XA5771051 | Scissors | |
| 23 | XA5772051 | Tape measure | |
| 24 | XC4487051 | ACCESSORY BAG | CHG |
| 25 | X81021001 | Quilting foot (with UPC) | |
| | X81021002 | Quilting foot (without UPC) | |
| 26 | XA6123001 | Gathering Foot (with UPC) | |
| | XA6123002 | Gathering Foot (without UPC) | |
| 27 | X81014001 | Narrow hemmer foot (with UPC) | |
| | X81014002 | Narrow hemmer foot (without UPC) | |
| 28 | X52769652 | Machine cover | CHG |
| 29 | X52762051 | Medallion | |
| 30 | X60439151 | BAG 630X630T | CHG |
| 31 | 130800051 | BAG 220X310 | ADD |
| 32 | X53984057 | DUST COVER ASSY | ADD |
| | | | |
| | | | |
| | | | |
| | | | |
| | | | |
| | | | |



XL3025
XL4040
XL4041/XL4041 AV
XL4045
T4040003 ①
Printed in xxxxx