

PARTS CATALOGUE FOR

XL 3010

XL 4010/XL 4010AV

XL 4011

XL 4012

XL 4013

XL 4014

XL 4015/XL 4015AV

CH801

ACE100

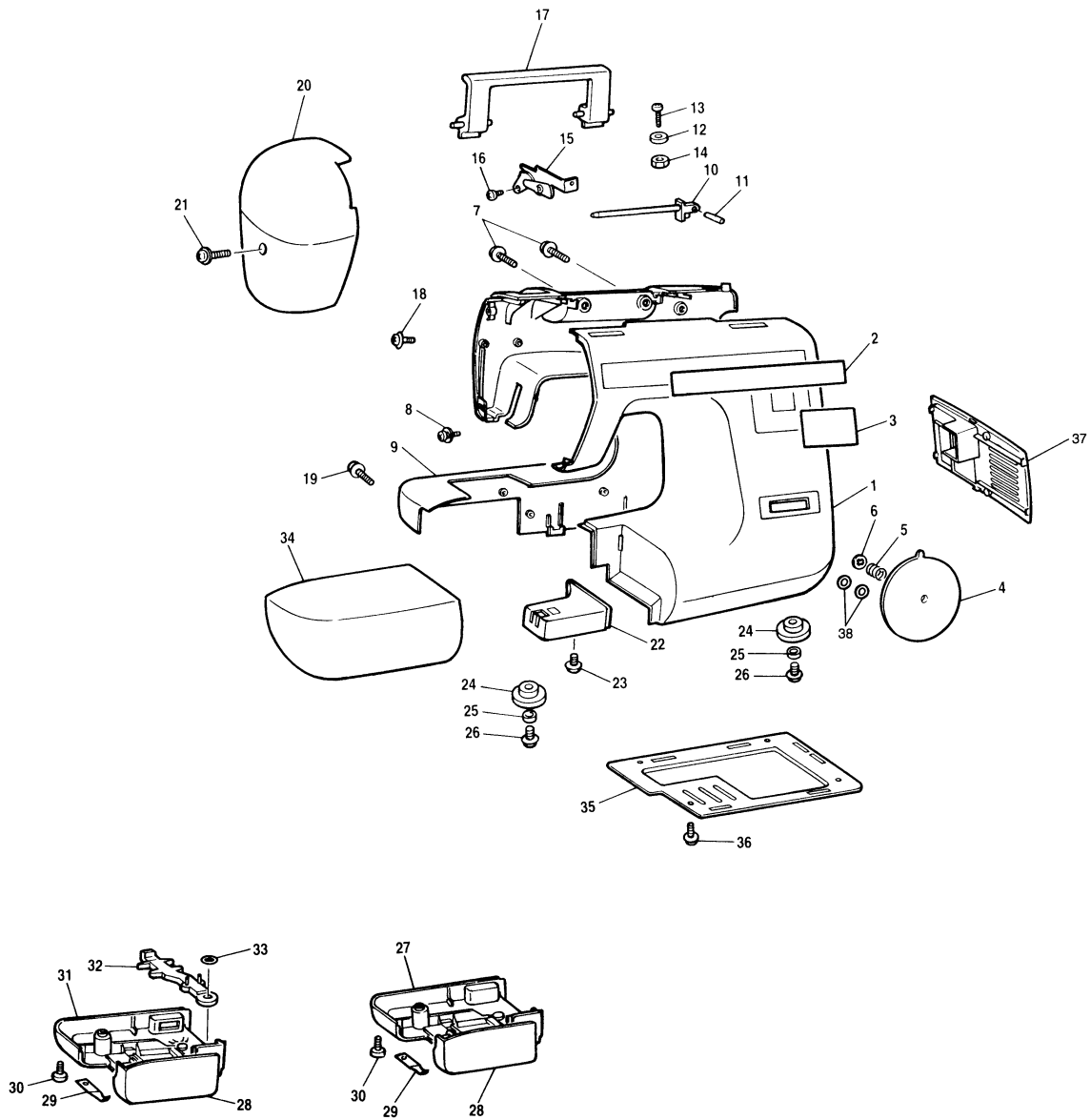
STAR1000

CONTENTS

(1) PRINCIPAL PARTS	2
(2) UPPER SHAFT, NEEDLE BAR AND FEED MECHANISM	4
(3) SHUTTLE HOOK, BH AND FEED ADJUST MECHANISM	8
(4) PATTERN SELECTION MECHANISM.....	10
(5) LAMP, THREAD GUIDE AND MOTOR UNIT.....	12
(6) ACCESSORY	14

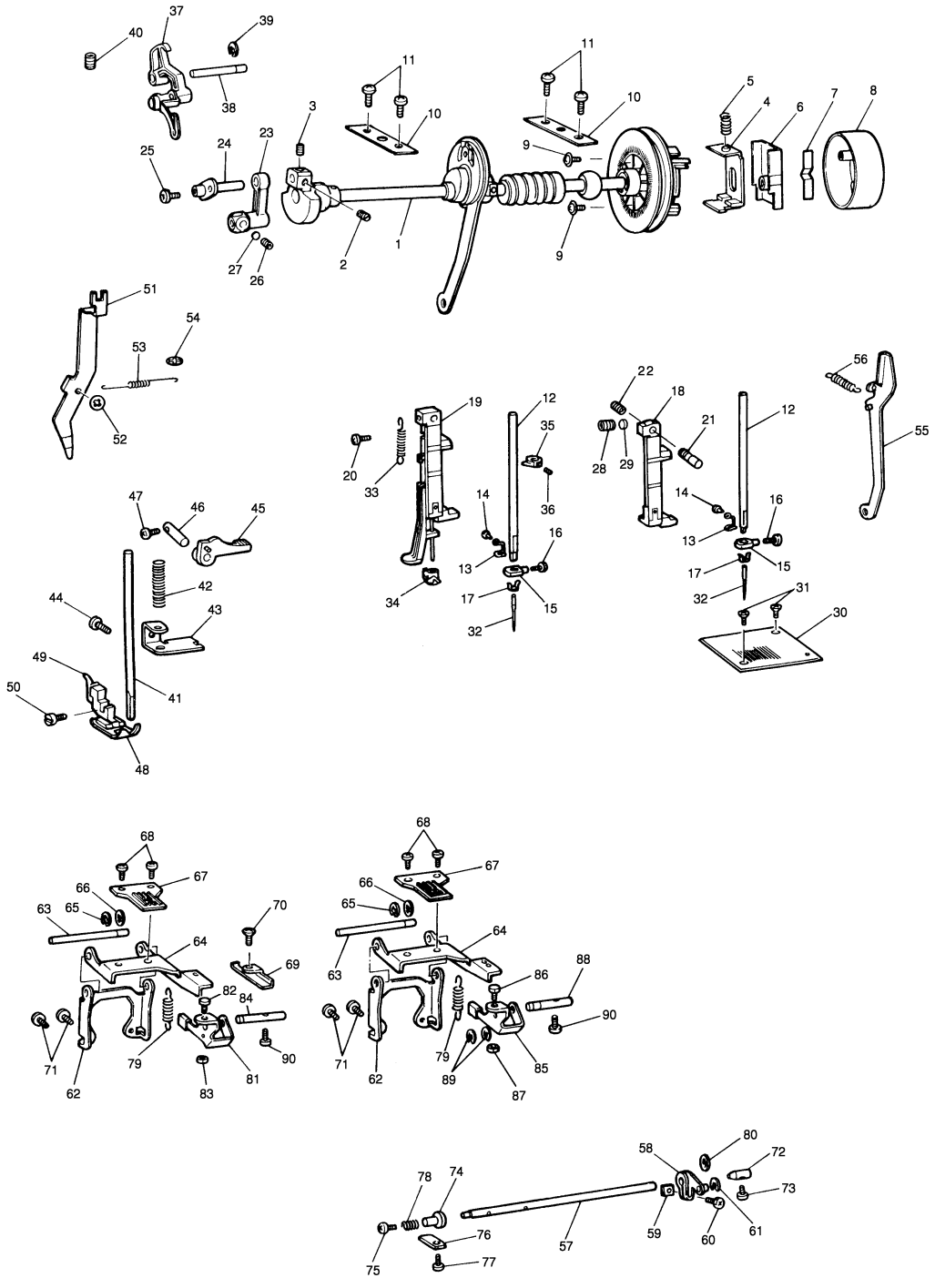
(1) PRINCIPAL PARTS

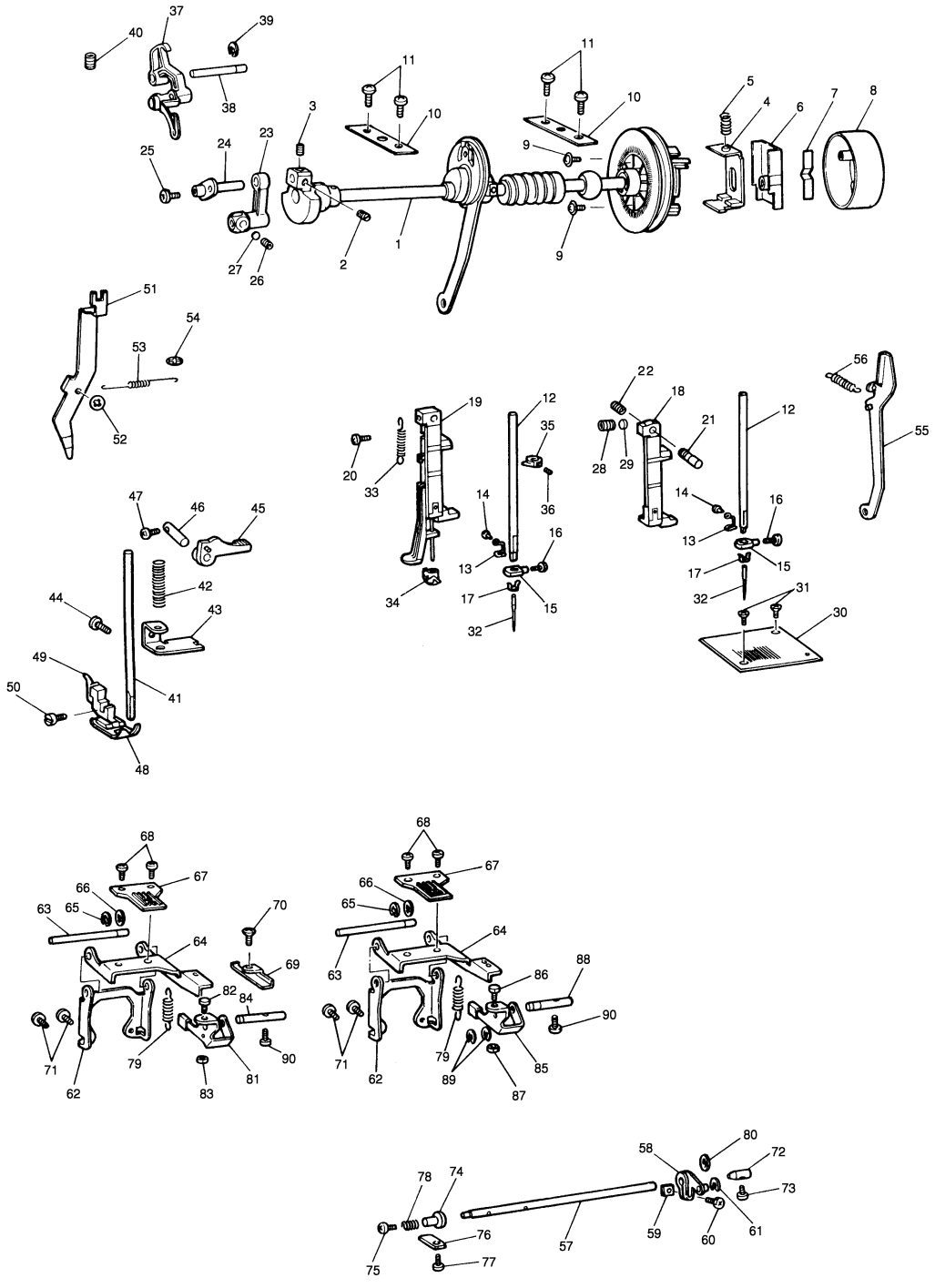
No.	CODE	PARTS NAME	REMARKS	No.	CODE	PARTS NAME	REMARKS
1	X59592151	Front cover		24	X58361021	RUBBER CUSHION	CHG
2	X59593052	Decoration plate A (XL3010)		25	X56474051	Spacer	
	X59593079	Decoration plate A (XL4010)		26	X57297051	Screw	
	X59593083	Decoration plate A (XL4014)		27	X59103051	Bed cover	
	X59593080	Decoration plate A (XL4011)		28	X59104051	Hinged door	
	X59593082	Decoration plate A (XL4013)		29	X53638121	SPRING	CHG
	XA2335070	Decoration plate A (ACE100)		30	052401406	Screw	
	XA2335071	Decoration plate A (STAR1000)		31	X59106051	Bed cover	
	X59593081	Decoration plate A (XL4012)		32	X59348051	Drop lever	
	XA2335061	Decoration plate A (XL4015)		33	138384051	Stop ring	
	XA2335065	Decoration plate A (CH801)		34	X59602051	Accessory table	
3	X59594052	Decoration plate B (XL3010)		35	X59108050	Base plate	
	X59594069	Decoration plate B (XL4010)			X59465050	Base plate (dual motor)	
	X59594073	Decoration plate B (XL4014)		36	X57297051	Screw	
	X59594070	Decoration plate B (XL4011)		37	X59109051	Switch cover A	
	X59594072	Decoration plate B (XL4013)		38	X57355050	Washer	
	X59594093	Decoration plate B (ACE100)		39	XC4167051	CAUTION STICKER	ADD
	X59594094	Decoration plate B (STAR1000)					
	X59594071	Decoration plate B (XL4012)					
	X59594089	Decoration plate B (XL4015, CH801)					
4	X59597051	Pattern indicator plate					
5	X50223051	Spring					
6	146200051	Stop ring					
7	XA3337051	Screw					
8	053400806	Screw					
9	X59052151	Rear cover					
10	X59053051	Spool pin					
11	XA4471051	Spool pin shaft					
12	X59864121	BOBBIN PRESSER	CHG				
13	052301606	Screw					
14	021300106	Nut					
15	X59055051	Thread guide assembly					
16	138433051	Screw					
17	X59101151	Carrying handle					
18	053400806	Screw					
19	052401406	Screw					
20	X59598051	Face plate					
	X59665051	Face plate (U.S.A.)					
	X59599051	Face plate (U.K.)					
	X59666051	Face plate (Germany)					
21	052401406	Screw					
22	X59601051	Foot cover					
23	X57300051	Screw					



(2) UPPER SHAFT, NEEDLE BAR AND FEED MECHANISM

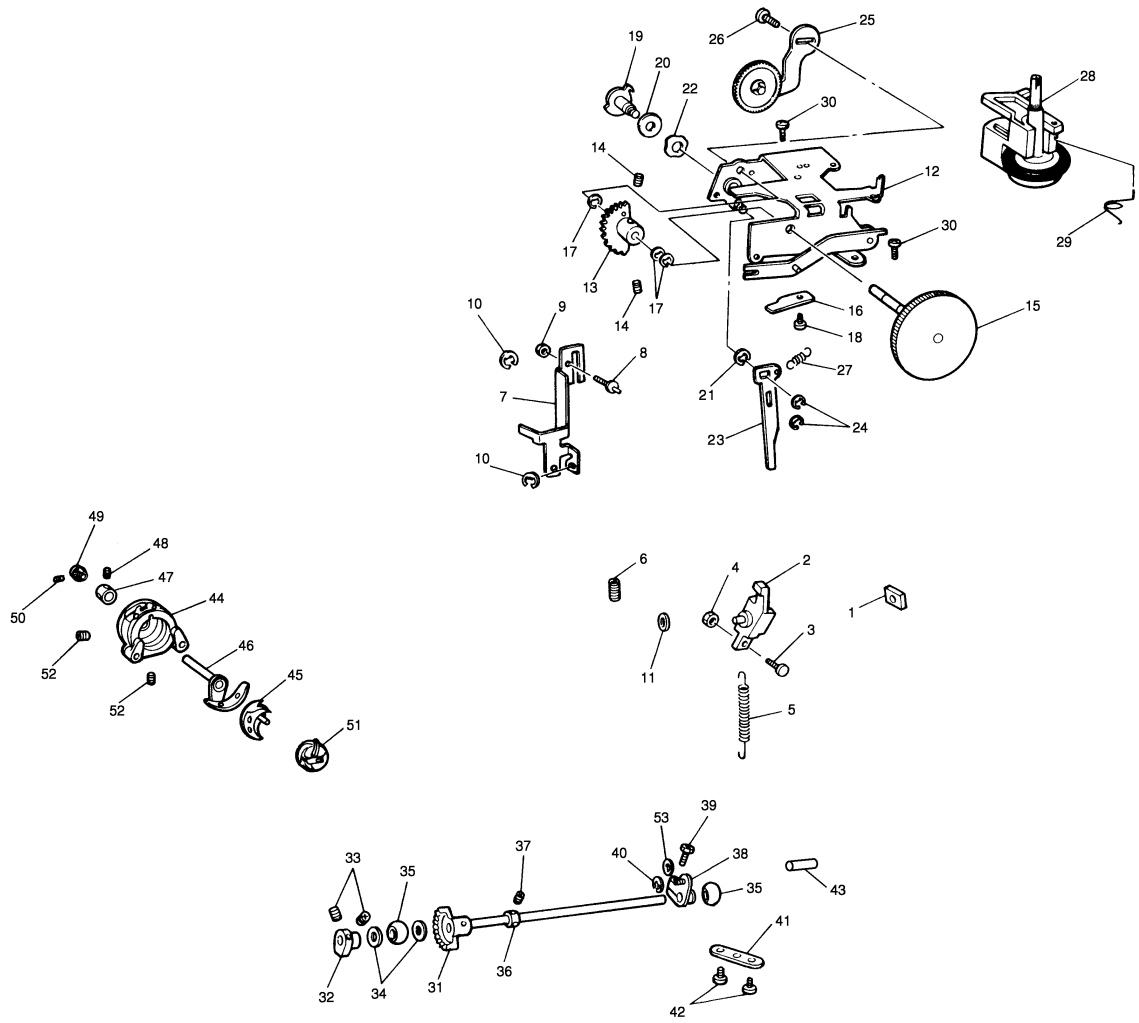
No.	CODE	PARTS NAME	REMARKS	No.	CODE	PARTS NAME	REMARKS
1	XA0297251	Upper shaft assembly		44	X52760051	Screw	
2	X54013051	Screw		45	X51943151	Presser foot lifter	
3	123006051	Screw		46	X54552051	Presser foot lifter stud	
4	X59284050	Clutch release		47	X57913051	Screw	
5	X59285051	Spring	CHG	48	138135052	Zigzag presser foot	
6	X59286051	Clutch release switch		49	138134051	Presser foot holder assembly	
7	X59287051	Spring	CHG	50	132730151	Thumb screw	
8	X59289051	Balance wheel	CHG	51	X52653151	Tension release plate C	
9	136869051	Screw		52	120454051	Stop ring	
10	X57907051	Bushing presser		53	X51946051	Spring	
11	X57908051	Screw		54	120454051	Stop ring	
12	136872151	Needle bar		55	X54375051	Feed connecting rod	
13	XA0974151	Needle bar thread guide		56	X54378051	Spring	
14	X53053052	Screw		57	X57917051	Horizontal feed shaft	
15	129627051	Needle clamp		58	X54381051	Horizontal feed shaft arm	
16	131226051	Needle clamp screw		59	X54384051	Nut	
17	125161080	Needle guide plate		60	060401416	Screw	
18	X54366150	Needle bar supporter		61	048050346	Stop ring	
19	X54713451	Needle bar supporter assembly		62	X57919051	Horizontal feed plate	
20	060300616	Screw		63	X57920051	Feed bar shaft	
21	X54368051	Needle bar supporter stud		64	X59118051	Feed bar	
22	X54369051	Spring		65	048030346	Stop ring	
23	X52650151	Needle bar crank rod assembly		66	146200051	Stop ring	
24	X59115151	Needle bar crank		67	X54389051	Feed dog	
25	132051052	Screw		68	060300416	Screw	
26	014680432	Screw		69	X59120051	Feed plate cover	
27	100507050	Metal plate		70	061300416	Screw	
28	014400432	Screw		71	060400816	Screw	
29	138607050	Washer		72	X54390051	Taper point stud R	
30	X57911051	Zigzag needle plate		73	X57913051	Screw	
31	X50487051	Screw		74	X54391150	Taper point stud L	
32	100028014	Needle		75	062400416	Screw	
	117914114	Needle (Germany)		76	137734051	Presser plate A	
33	X50476051	Spring		77	X57908051	Screw	
34	X54817102	Hook assembly		78	X56613051	Spring	
35	X52882150	Needle threader position setter		79	X54393051	Spring	
36	014400432	Screw		80	X53330050	Washer	
37	X52651151	Thread take-up assembly		81	X59122051	Vertical feed plate	
38	X59254051	Thread take-up lever stud		82	X59124051	Adjusting screw	
39	048040346	Stop ring		83	X56960051	Nut	
40	014400632	Screw		84	X59125051	Vertical feed shaft	
41	128437050	Presser bar		85	X54395051	Vertical feed plate	
42	X57914151	Presser bar spring		86	X54397051	Adjusting screw	
43	X57915051	Presser bar guide bracket		87	102571056	Nut	





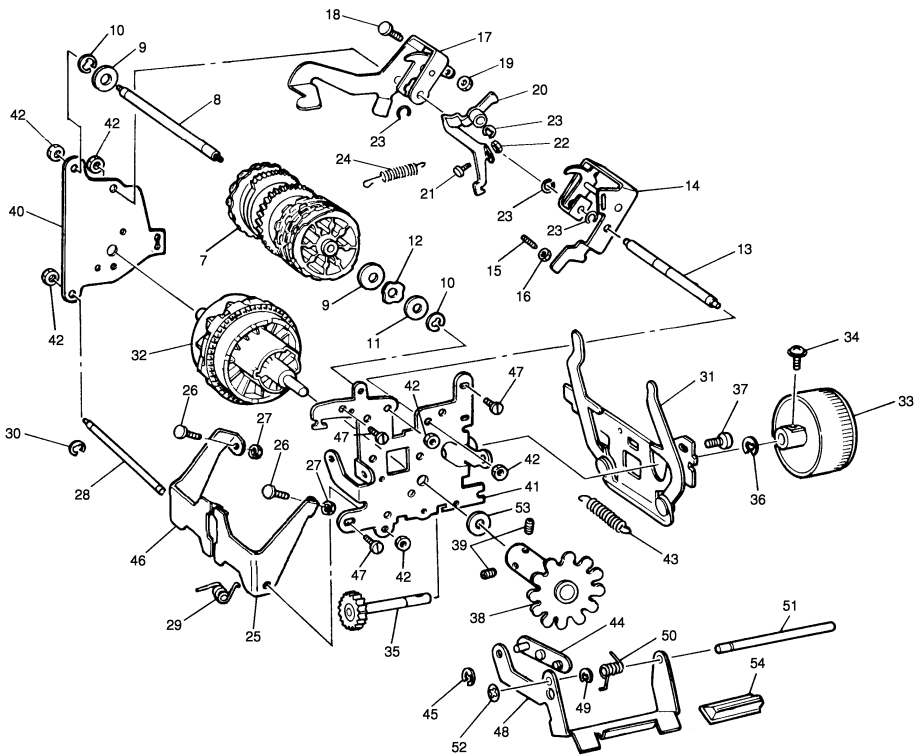
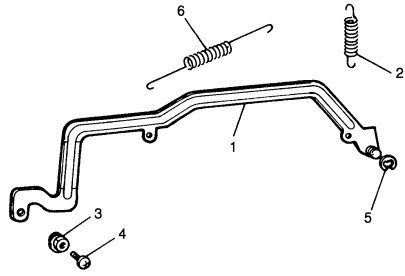
(3) SHUTTLE HOOK, BH AND FEED ADJUST MECHANISM

No.	CODE	PARTS NAME	REMARKS	No.	CODE	PARTS NAME	REMARKS
1	X55473051	Slide block		45	128581051	Shuttle hook	
2	X59710051	Feed regulator assembly		46	X54429051	Shuttle driver assembly	
3	X59200051	Screw		47	X54433051	Collar	
4	X56960051	Nut		48	014400432	Screw	
5	X59127051	Spring		49	X54514050	Shuttle driver shaft gear	
6	014400632	Screw		50	151602051	Screw	
7	X59604051	Reverse sewing lever C		51	128582053	Bobbin case assembly	
8	X59223051	Screw		52	014400632	Screw	
9	X56960051	Nut		53	X53330050	Washer	
10	048040346	Stop ring					
11	X53330050	Washer					
12	X59130051	Feed bracket plate assembly					
13	X51965151	Feed dial gear A assembly	CHG				
14	014400432	Screw					
15	X59184151	Feed regulating dial	CHG				
16	X54979051	Spring					
17	048040346	Stop ring					
18	060400416	Screw					
19	X57803051	BH adjusting eccentric stud					
20	128491051	Washer					
21	048050346	Stop ring					
22	X57150051	Spring washer					
23	X57422051	BH adjusting lever					
24	048030346	Stop ring					
25	X59198051	Feed gear B assembly					
26	060401416	Screw					
27	X51978051	Spring					
28	X59189051	Bobbin winder assembly					
29	X52102051	Spring					
30	X57908051	Screw					
31	X58483051	Lower shaft assembly					
32	X54424050	Vertical feed cam					
33	014400432	Screw					
34	X51383050	Washer					
35	X52664050	Lower shaft bushing					
36	137768151	Collar					
37	014400432	Screw					
38	XA1319051	Lower shaft crank assembly					
39	X59255051	Screw					
40	048050346	Stop ring					
41	X57943051	Bushing presser					
42	X57908051	Screw					
43	XA0532051	Shaft					
44	X56767051	Shuttle race assembly					



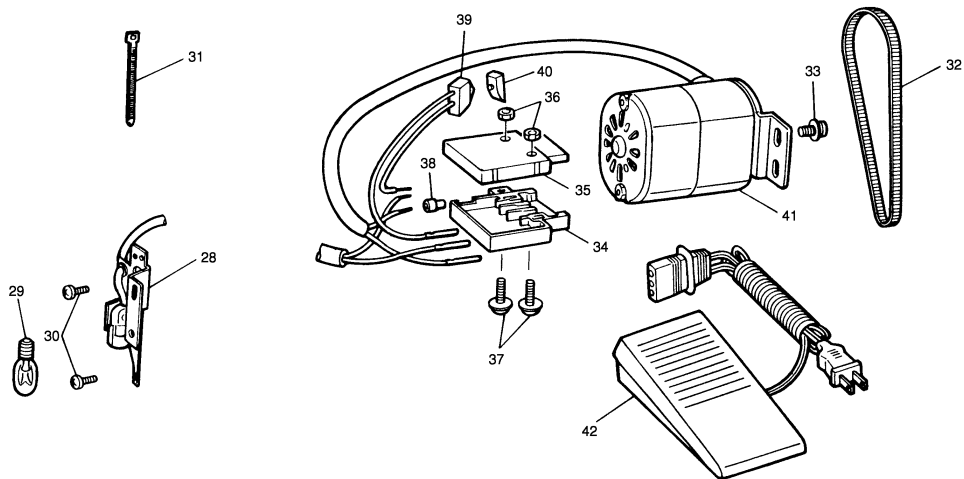
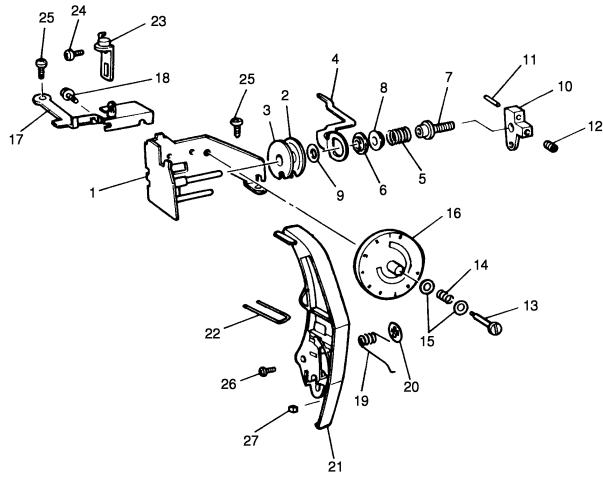
(4) PATTERN SELECTION MECHANISM

No.	CODE	PARTS NAME	REMARKS	No.	CODE	PARTS NAME	REMARKS
1	X59135151	Zigzag connecting rod assembly		44	X59616051	Reverse sewing lever B assembly	
2	X59387051	Spring		45	048040346	Stop ring	
3	X50559050	Adjusting nut		46	X59241051	Release lever B	
4	062301006	Screw		47	X57908051	Screw	
5	048040346	Stop ring		48	X59612051	Reverse sewing lever A assembly	
6	X52005151	Spring		49	048030346	Stop ring	
7	X59234151	Pattern cam assembly		50	X59620051	Spring	
8	X59788051	Pattern cam shaft		51	XA0060051	Reverse sewing lever shaft	
9	128491051	Washer		52	146200051	Stop ring	
10	048050346	Stop ring		53	X53330050	Washer	
11	X59743051	Washer		54	X59615051	Reverse sewing button	
12	X59765051	Spring washer					
13	X59238051	Finger shaft					
14	X59146051	Z finger frame assembly					
15	125322051	Screw					
16	021670102	Nut					
17	X59148051	F finger frame assembly					
18	120258051	Screw					
19	021670102	Nut					
20	X59249051	BHF finger assembly					
21	120258051	Screw					
22	021670102	Nut					
23	137191051	Stop ring					
24	X54564051	Spring					
25	X59240051	Release lever A					
26	120258051	Screw					
27	021670102	Nut					
28	X52063151	Release lever shaft					
29	X59295051	Spring					
30	048040346	Stop ring					
31	X59242051	Selecting lever holder assembly					
32	X59244051	Selecting cam assembly (15 pattern)					
33	X59154051	Selecting dial					
34	052401406	Screw					
35	X59155051	Selecting gear					
36	048050346	Stop ring					
37	060400616	Screw					
38	X59621051	Indication gear					
39	014400632	Screw					
40	X56881051	Unit base B assembly					
41	X59609051	Unit base F assembly					
42	021400205	Nut					
43	X56886051	Spring					



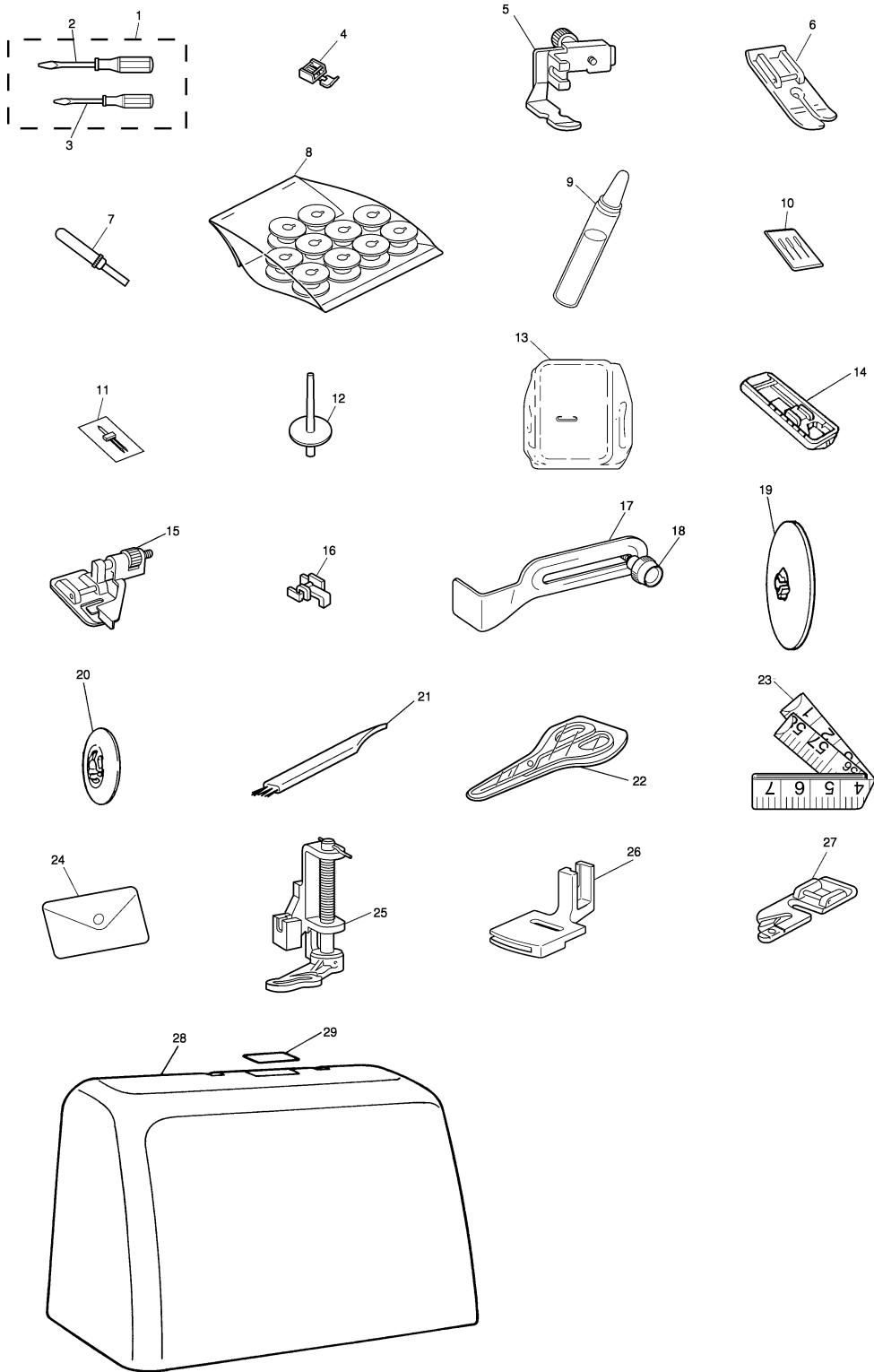
(5) LAMP, THREAD GUIDE AND MOTOR UNIT

No.	CODE	PARTS NAME	REMARKS	No.	CODE	PARTS NAME	REMARKS
1	X59164051	Thread guard assembly		41	X57041151	Motor complete (U.S.A.)	
2	XA0084051	Tension disc			X55352151	Motor complete (Canada)	
3	XA0083051	Tension disc			J13127849	Motor complete (220V)	
4	X52122051	Tension releaser B			J13127172	Motor complete (230V)	
5	X55842051	Spring			J01719051	Motor complete (240V) (Saudi Arabia)	
6	137881051	Tension disc washer			XA1228051	Motor complete (220V/230-240V)	
7	X50765251	Thread tension control screw			XA1286051	Motor complete (110-120/220V)(Korea)	
8	X50702050	Spring washer		42	XC6659051	FOOT CONTROLLER : FC-317-21-LF (U.S.A.)	CHG
9	025060132	Washer			XC6661051	FOOT CONTROLLER : FC-317-22-LF (Canada)	CHG
10	X52643051	Tension control nut			XA6400051	Foot controller complete (220-240V)	
11	047260850	Spring pin			XA6402051	Foot controller complete (U.K.)	
12	012400432	Screw			XA6404051	Foot controller complete (Australia, New Zealand)	
13	X52120051	Tension dial shaft			XA6434051	Foot controller complete (dual motor)	
14	X59290051	Spring			XA6418051	Foot controller complete (Germany)	
15	226392050	Washer			XA6416051	Foot controller complete (Korea)	
16	X59166051	Tension dial					
17	X59167051	Thread guard supporter plate					
18	060300416	Screw					
19	X59168151	Spring					
20	138384051	Stop ring					
21	X59624151	Thread guard cover					
22	X59170050	Thread guard wire					
23	X59226151	Bobbin winder thread guide assembly	CHG				
24	U12017051	Screw					
25	X57908051	Screw					
26	060400816	Screw					
27	X59786050	Gum					
28	XC0496051	Sew-light assembly (110-120V)	CHG				
	X59291051	Sew-light assembly (220-240V)					
29	X53061050	Sew-light bulb (110-120V)					
	205336050	Sew-light bulb (220-240V)					
30	X57908051	Screw					
31	X53169050	Band					
32	130944051	Belt					
33	XA3004051	Screw					
34	X59176051	3P socket body					
35	X59177051	3P socket cover					
36	021400205	Nut					
37	052403006	Screw					
38	214808050	Connector	CHG				
39	X59178051	PW switch assembly (110-120V)					
	X59337051	PW switch assembly (220-240V)					
40	X57554051	PW switch key-top					



(6) ACCESSORY

No.	CODE	PARTS NAME	REMARKS
1	X55466051	Screwdriver	
2	X55467051	Screwdriver (M)	
3	X55468051	Screwdriver (S)	
4	X59370051	Zipper foot	
5	128585051	Zipper foot	
6	XA6124001	Straight foot (with UPC)	
	XA6124002	Straight foot (without UPC)	
7	X54243001	Seam ripper	
8	XA5537051	Bobbin (with UPC)	
	XA5537052	Bobbin (without UPC)	
9	X55465051	Oiler	
10	X57117051	Needle set	
11	X57521001	Needle set T	
10	130920021	EXTRA SPOOL PIN	CHG
13	XA3442151	Feed dog cover	
14	X59369351	BUTTON HOLE FOOT ASSY	CHG
15	XA7000001	Blind stitch foot (with UPC)	
	XA7000002	Blind stitch foot (without UPC)	
16	X59375051	Button fitting foot	
17	128590051	Stitch guide	
18	128591051	Screw	
19	130012053	Spool presser A	
20	130013053	Spool presser B	
21	X59476051	Cleaning brush	
22	XA5771051	Scissors	
23	XA5772051	Tape measure	
24	XC4487051	ACCESSORY BAG	CHG
25	X81021001	Quilting foot (with UPC)	
	X81021002	Quilting foot (without UPC)	
26	XA6123001	Gathering Foot (with UPC)	
	XA6123002	Gathering Foot (without UPC)	
27	X81014001	Narrow hemmer foot (with UPC)	
	X81014002	Narrow hemmer foot (without UPC)	
28	X52769652	Machine cover	CHG
29	X52762051	Medallion	
30	X60439121	BAG 630X630T	CHG
31	X60439151	BAG 630X630T	CHG
32	130800021	BAG 220X310	ADD
33	130800051	BAG 220X310	ADD
34	X53984057	DUST COVER ASSY	ADD



XL3010
XL4010/XL4010 AV
XL4011
XL4012
XL4013
XL4014
XL4015/XL4015 AV
CH801
ACE100
STAR1000