

PARTS CATALOGUE FOR

XL2120

XL2121

XL2130

XL2140

XL2150

XL2220

XL2230

XL2240

XL2250

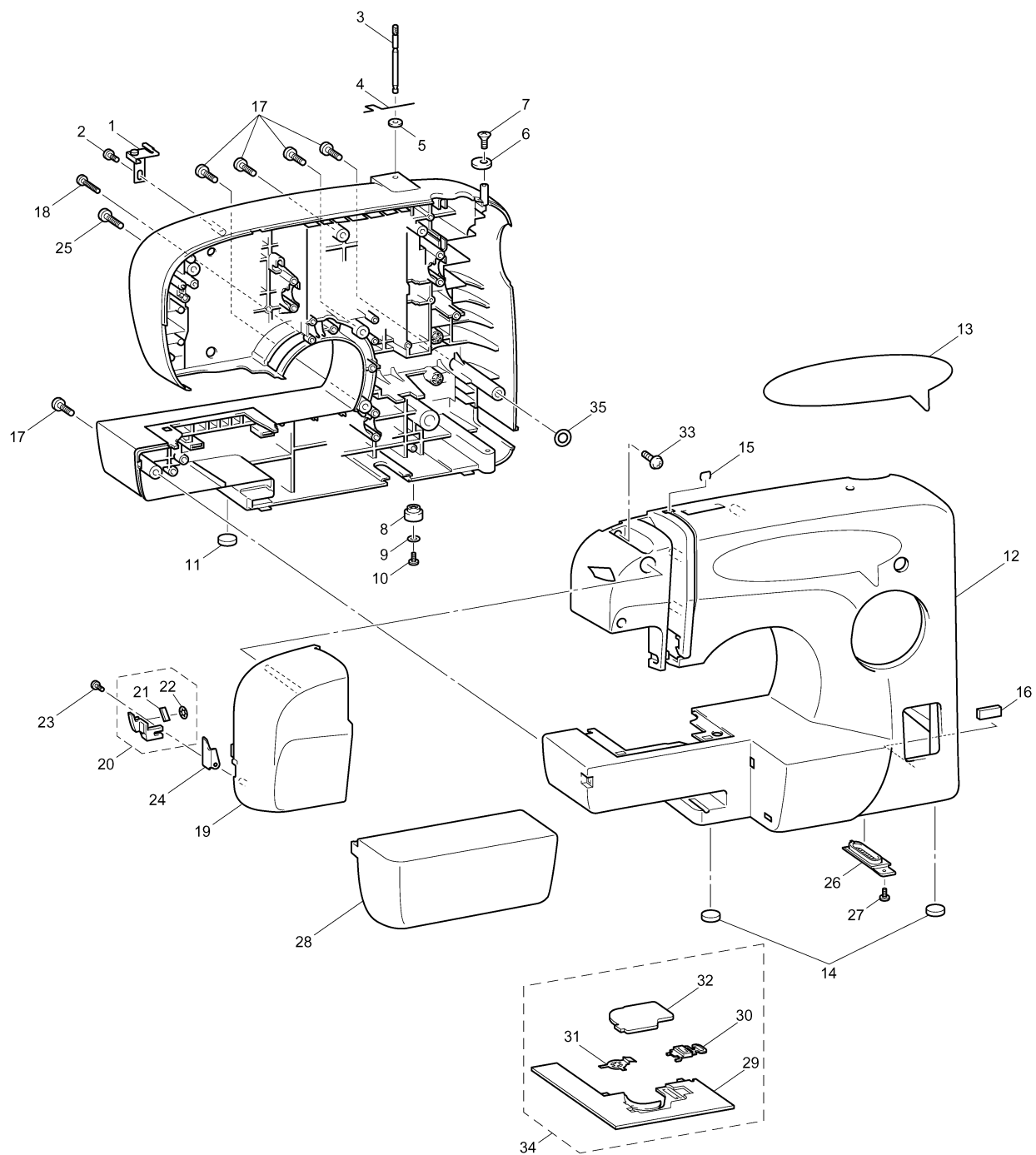
XL3800

CONTENTS

(1) PRINCIPAL PARTS.....	2
(2) UPPER SHAFT / NEEDLE BAR, PRESSER / ZIGZAG MECHANISM.....	4
(3) FEED / FEED ADJUSTMENT MECHANISM	6
(4) PATTERN SELECTION MECHANISM.....	8
(5) BOBBIN WINDER / THREAD GUIDE MECHANISM	10
(6) LAMP MECHANISM / MOTOR UNIT	12
(7) ATTACHMENTS / PRINTED MATTER / PACKING MATERIALS	14

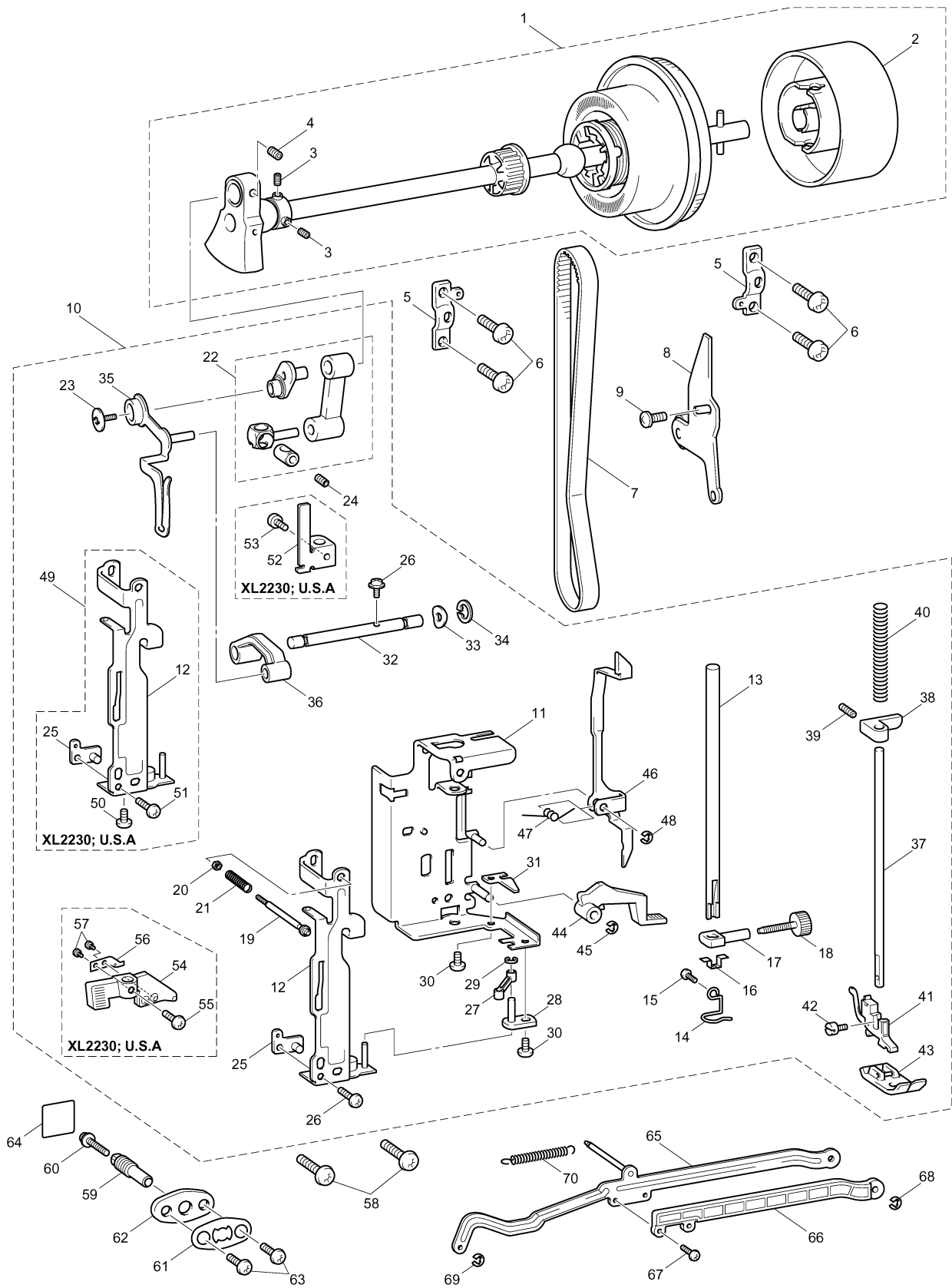
(1) PRINCIPAL PARTS

No.	CODE	NAME	REMARKS	No.	CODE	NAME	REMARKS
1	XC4846021	THREAD GUIDE ASSY		23	XC6305021	TAPTITE, PAN B (S/P W) 3 x 12	CHG
2	XC3588021	GIZA TITE 4 x 12	CHG	24	XC6057020	GUARD PLATE	
3	188058121	SPOOL PIN		25	XA3337022	TAPTITE,CUP P M4 x 20	
4	XA0628021	SPOOL PIN SPRING		26	XC4857021	BASE COVER	
5	XA8851121	SPOOL PIN STAND	050073	27	084310815	TAPTITE, FLAT B M3 x 8	
6	XC4481121	BOBBIN PRESSER	040153	28	XC4858021	ACCESSORY TABLE	
7	XC6305021	TAPTITE PAN B (S/P W) 3 x 12		29	XC4860021	NEEDLE PLATE B	
8	138337022	RUBBER CUSHION A	050098	30	XC7371021	SLIDE BUTTON	CHG
9	026350235	WASHER, PLAIN M 3.5		31	XC2368021	SPRING PLATE	
10	083361216	TAPTITE, PAN B M3.5 x 12		32	XD1645051	NEEDLE PLATE COVER SUPPLY ASSY	050259
11	XC4077051	BASE PLATE RUBBER		33	085411416	TAPTITE BIND B M4X14	040232
12	XC4848021	FRONT COVER ASSY (XL2121)	CHG	34	XC4859021	NEEDLE PLATE B ASSY	040211
	XC4848023	FRONT COVER ASSY (XL2120)	CHG	35	XC5261021	RING	040217
	XC4848028	FRONT COVER ASSY (XL2130)					
	XC4848029	FRONT COVER ASSY (XL2140)					
	XC4848030	FRONT COVER ASSY (XL2150)	ADD				
	XC4848024	FRONT COVER ASSY (XL2230; U.S.A., CANADA)					
	XC4848022	FRONT COVER ASSY (XL2220)					
	XC4848025	FRONT COVER ASSY (XL2230)					
	XC4848026	FRONT COVER ASSY (XL2240)					
	XC4848027	FRONT COVER ASSY (XL2250)					
	XC4848031	FRONT COVER ASSY (XL3800)	ADD				
	13	XC4850021	STITCH PATTERN SHEET (XL2121)	ADD			
XC4850023		STITCH PATTERN SHEET (XL2120)	CHG				
XC4850028		STITCH PATTERN SHEET (XL2130)	ADD				
XC4850029		STITCH PATTERN SHEET (XL2140)	ADD				
XC4850030		STITCH PATTERN SHEET (XL2150)	ADD				
XC4850022		STITCH PATTERN SHEET (XL2220)	ADD				
XC4850024		STITCH PATTERN SHEET (XL2230; U.S.A., CANADA)	ADD				
XC4850025		STITCH PATTERN SHEET (XL2230)	ADD				
XC4850026		STITCH PATTERN SHEET (XL2240)	ADD				
XC4850027		STITCH PATTERN SHEET (XL2250)	ADD				
XC4850031		STITCH PATTERN SHEET (XL3800)	ADD				
14	XC4077051	BASE PLATE RUBBER					
15	X53625121	UPPER COVER THREAD GUIDE					
16	XA7769051	CUSHION					
17	XC3496021	GIZA TITE 5 x 16	CHG				
18	XC6304021	GIZA TITE (S/P W) 3 x 25	CHG				
19	XC4854021	FACE PLATE					
20	XC4855021	CUTTER COVER ASSY					
21	X80321021	NT LOWER THREAD CUTTER	040083				
22	138384021	RETAINING RING,CS5					



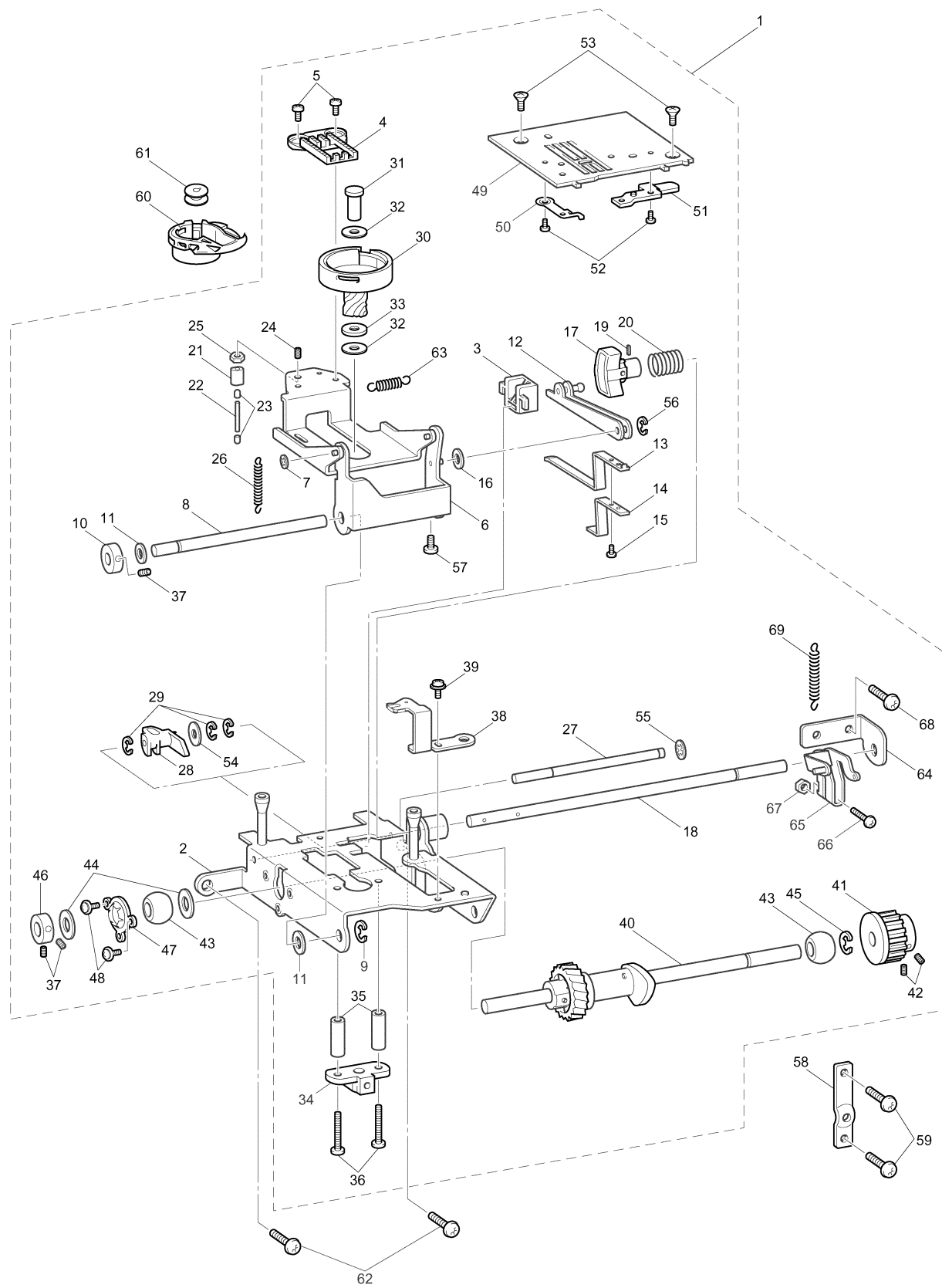
(2) UPPER SHAFT / NEEDLE BAR, PRESSER / ZIGZAG MECHANISM

No.	CODE	NAME	REMARKS	No.	CODE	NAME	REMARKS
UPPER SHAFT MECHANISM							
1	XC4864021	UPPER SHAFT ASSY		38	XC4899121	PRESSER BAR CLAMP	050261
2	XC3529021	PULLEY		39	XC7207021	SCREW STUD M5	050037
3	014400432	SET SCREW, SOCKET (CP) M4 x 4		40	XC4900021	SPRING	
4	012500532	SET SCREW, SOCKET (FT) M5 x 5		41	138134051	PRESSER FOOT HOLDER	
5	XC4868020	UPPER SHAFT BEARING PRESSER		42	132730122	TIGHTENING SCREW 3.57	
6	XC3496021	GIZA TITE 5 x 16	CHG	43	XC4901051	ZIGZAG PRESSER FOOT	
7	XC4869021	T BELT 420-5GT-6		44	XC4902021	PRESSER FOOT LIFTER	
8	XC4870021	TENSION PULLEY ASSY		45	048040346	RETAINING RING, E4	
9	0A4400806	SCREW, PAN (S/P WASHER) M4 x 8		46	XC4903020	THREAD RELEASE LEVER	
NEEDLE BAR, PRESSER MECHANISM				47	XC4904121	SPRING	040135
10	XC4874021	NEEDLE-PRESSER MODULE		48	146200021	RETAINING RING, CS4	
	XC6558021	NEEDLE-PRESSER MODULE (XL2230; U.S.A.)		49	XC6559021	NEEDLE HOLDER ASSY (XL2230; U.S.A.)	
11	XC4875221	BASE HOLDER ASSY	050255	50	018300636	BOLT, SOCKET M3 x 6 (XL2230; U.S.A.)	
12	XC4880021	NEEDLE HOLDER SUB ASSY		51	052300606	SCREW, PAN (S/P WASHER) M3 x 6 (XL2230; U.S.A.)	
13	XC2423021	NEEDLE BAR		52	XC6564020	THREAD POSITIONING PLATE (XL2230; U.S.A.)	
14	XC2424021	NEEDLE BAR THREAD GUIDE		53	060260406	SCREW, BIND M2.6 x 4 (XL2230; U.S.A.)	
15	X53053052	SCREW SM2.38		54	XC6566021	NEEDLE THREADING LEVER (XL2230; U.S.A.)	
16	XC2426020	NEEDLE THREAD PLATE		55	0A5260606	SCREW,PAN(S/P WASHER)M2.6 x 6 (XL2230; U.S.A.)	
17	XC2427051	NEEDLE BLOCK		56	XA0445151	THREADER HOOK ASSEMBLY (XL2230; U.S.A.)	
18	XC2428021	NEEDLE CLAMP SCREW		57	037200516	TAPPING SCREW, PAN V M2 x 5 (XL2230; U.S.A.)	040207
19	XC4884021	NEEDLE HOLDER SHAFT		58	XC7525121	NEEDLE HOLDER STOPPER	040145
20	X56851021	LOCK NUT		59	XC4961021	GIZA TITE 5 x 20	CHG
21	XC4885021	SPRING		60	XC4905021	ADJUSTING SCREW	
22	XC4886031	NEEDLE BAR CRANK ROD ASSY	040230	61	060302506	SCREW BIND M3X25	050143
	XC6562131	NEEDLE BAR CRANK ROD ASSY (XL2230; U.S.A.)	050169	62	XC6056020	PLATE SPRING	
23	132051022	SCREW, FLAT SM3.57-40 x 7 L	CHG	63	XC4906020	ADJUSTING PLATE	
24	012400432	SET SCREW, SOCKET (FT) M4 x 4		64	085411416	TAPTITE, BIND B M4 x 14	CHG
25	XC4888021	ZIGZAG ADJUST PLATE ASSY		65	XC4907021	LABEL	
26	052300606	SCREW, PAN (S/P WASHER) M3 x 6	050080	ZIGZAG MECHANISM			
27	XC4963020	NEEDLE BAR SUPPORTER ARM		66	XC4964021	ZIGZAG LEVER A ASSY	
28	XC4891021	NEEDLE SHAFT HOLDER ASSY		67	XC4966020	ZIGZAG LEVER B	
29	048020346	RETAINING RING, E2		68	0A4400806	SCREW, PAN (S/P WASHER) M4 x 8	
30	018300636	BOLT, SOCKET M3 x 6		69	048030346	RETAINING RING, E3	
31	XC4894021	STOPPER		70	048040346	RETAINING RING, E4	
32	XC4895021	SHAFT	CHG	71	XA4200021	SPRING	
33	XA1866021	WASHER,SPRING	050186				
34	048050346	RETAINING RING, E5					
35	XC8564031	THREAD TAKE-UP LEVER	040230				
36	XC4897020	THREAD TAKE-UP LEVER LINK					
37	XC4898021	PRESSER BAR					
	XC6565021	PRESSER BAR (XL2230; U.S.A.)	ADD				



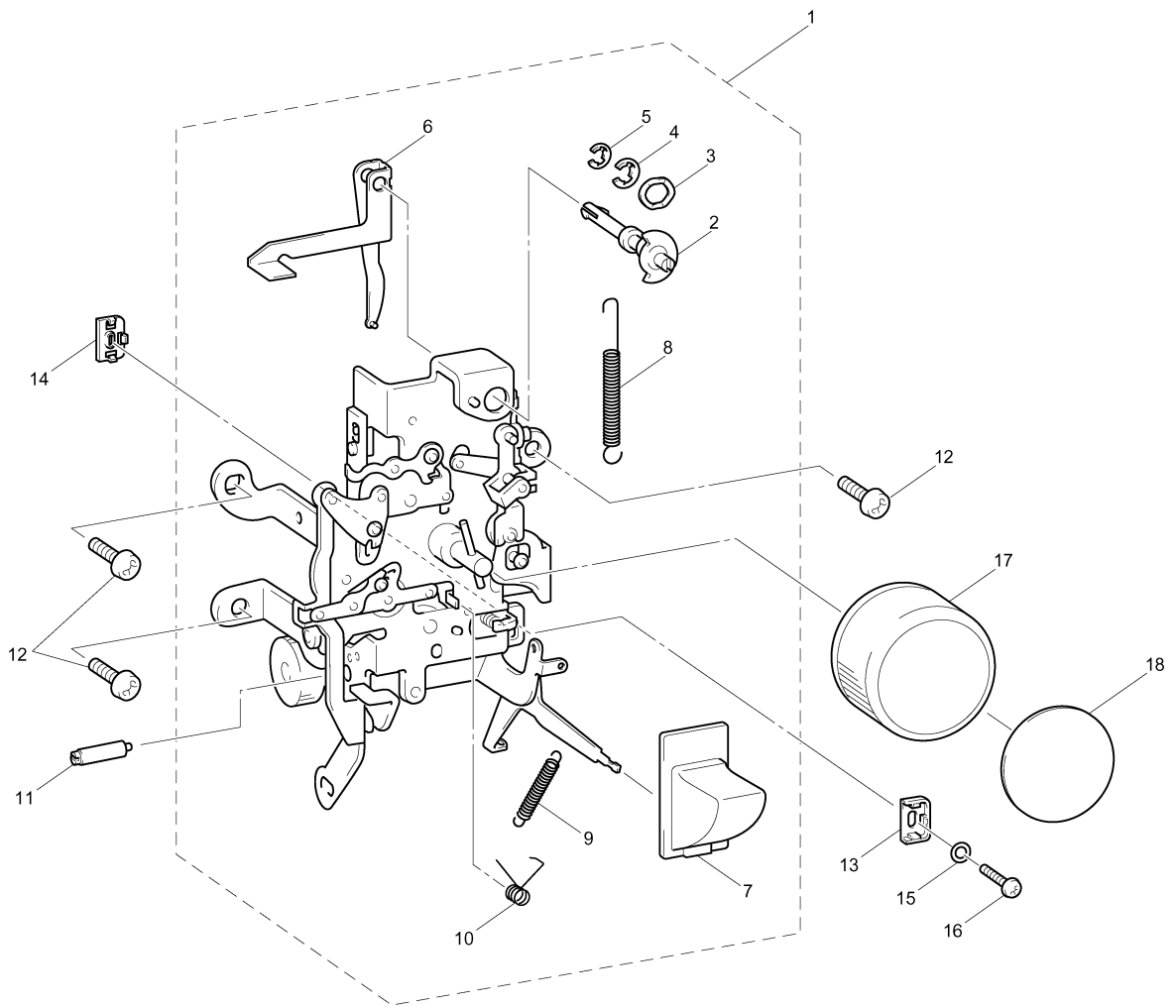
(3) FEED / FEED ADJUSTMENT MECHANISM

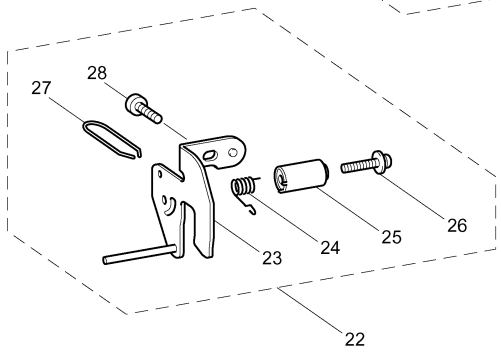
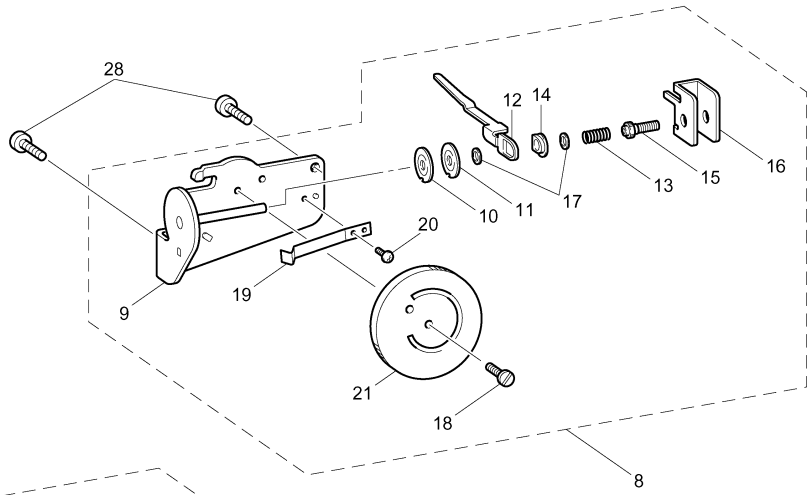
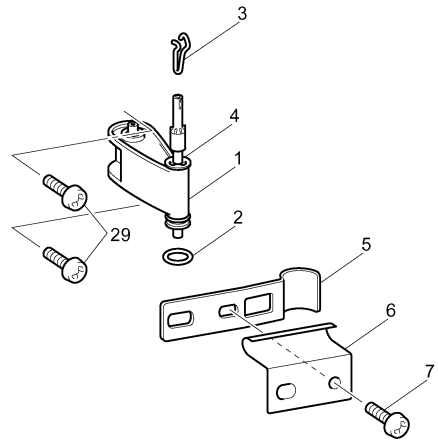
No.	CODE	NAME	REMARKS	No.	CODE	NAME	REMARKS
FEED MECHANISM							
1	XC4908121	FEED MODULE	040238	44	X51383020	WASHER,THRUST	
2	XC4909021	BASE PLATE ASSY		45	048060346	RETAINING RING, E6	
3	XC4914021	FEED ARM SUPPORTER		46	137768121	SET SCREW COLLAR	
4	XC4915021	FEED DOG		47	XC4944021	BUSHING PRESSER B	
5	060300616	SCREW, BIND M3 x 6		48	085310615	TAPTITE, BIND B M3 x 6	
6	XC4916021	FEED BAR ASSY		49	XC4946121	NEEDLE PLATE A	040214
7	120454021	RETAINING RING,CS3		50	XC2570121	STOPPER PLATE	050293
8	XC4923020	HORIZONTAL FEED SHAFT		51	XC4947021	F GEAR STOPPER PLATE	
9	048050346	RETAINING RING, E5		52	060260316	SCREW, BIND M2.6 x 3	
10	130676121	SET SCREW COLLAR		53	X50487051	SCREW M4	
11	X50546020	WASHER,THRUST		54	025040332	WASHER, PLAIN L 4	
12	XC4924021	FEED ARM ASSY		55	146200021	RETAINING RING, CS4	
13	XC4927021	FEED SUPPORTING PLATE		56	X56655021	RETAINING RING: CSTW-3.5	
14	XC4928020	FEED SUPPORTING PLATE B		57	060400816	SCREW, BIND M4 x 8	
15	060300416	SCREW, BIND M3 x 4	DEL	58	XC4948020	BUSHING PRESSER A	
16	137999020	POLYESTER SLIDER		59	XC3496021	GIZA TITE 5 x 16	CHG
17	XC4929020	FEED ADJUSTER		60	XC2209021	INNER ROTARY HOOK ASSY	040238
18	XC4930121	FEED ADJUSTING SHAFT	040218	61	X52800120	BOBBIN	
19	047201242	PIN, SPRING ROLL AW2		62	XC3805021	GIZA TITE 5 x 16	CHG
20	XC4931021	SPRING		63	XC6364021	SPRING	ADD
21	XC4932020	VERTICAL ADJUSTER		FEED ADJUSTMENT MECHANISM			
22	XC4933020	VERTICAL ROD		64	XC4949020	FEED CONNECTING HOLDER	
23	XC4934020	VERTICAL ROD HEAD		65	XC4950021	FEED CONNECTING LEVER ASSY	
24	014401032	SET SCREW, SOCKET (CP) M4 x 10		66	060401416	SCREW, BIND M4 x 14	
25	X56851021	LOCK NUT		67	021400205	NUT, 2 M4	
26	XC4935021	SPRING		68	XC3496021	GIZA TITE 5 x 16	CHG
27	XC4936020	VERTICAL FEED SHAFT		69	XC5062021	SPRING	
28	XC2551020	VERTICAL LEVER					
29	048030346	RETAINING RING, E3					
30	XD0115021	OUTER ROTARY HOOK ASSY	040238				
31	XC2230021	OUTER ROTARY HOOK SHAFT					
32	137805052	SPACER					
33	137976021	WASHER 6					
34	XC4937020	SHAFT SUPPORTER					
35	XC4938020	COLLAR					
36	XC6551021	SCREW, PAN (S/P WASHER) M4 x 22	CHG				
37	014400432	SET SCREW, SOCKET (CP) M4 x 4					
38	XC4939021	INNER ROTARY HOOK BRACKET ASSY					
39	052300606	SCREW, PAN (S/P WASHER) M3 x 6					
40	XC4941021	LOWER SHAFT ASSY					
41	XC4943021	TIMING PULLEY D					
42	014500532	SET SCREW, SOCKET (CP) M5 x 5					
43	X52664020	LOWER SHAFT BUSHING					



(4) PATTERN SELECTION MECHANISM

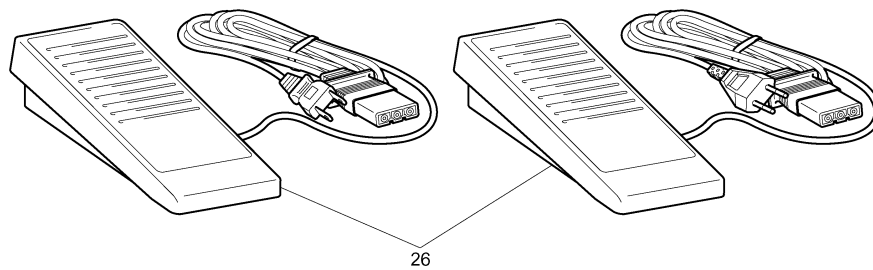
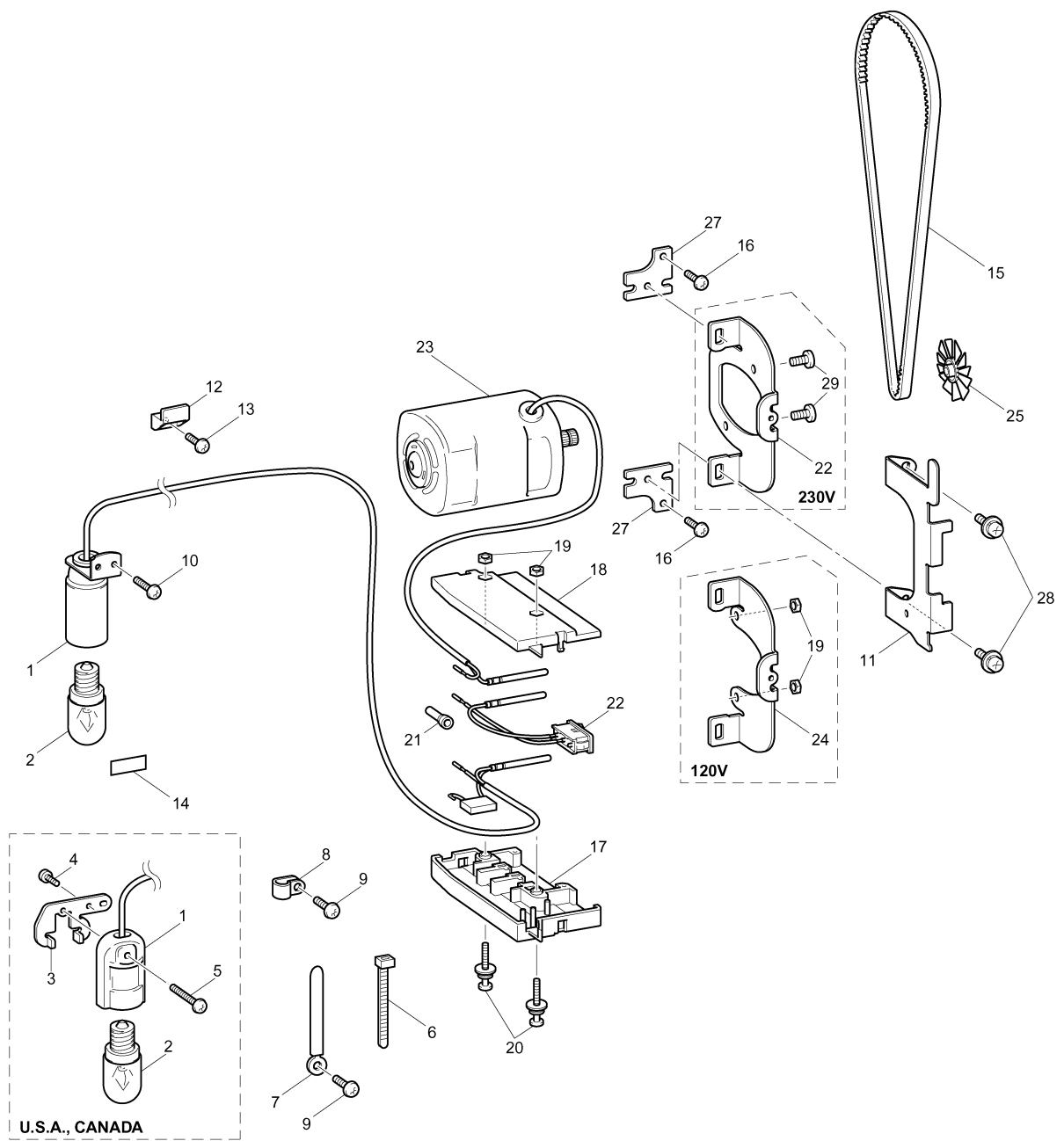
No.	CODE	NAME	REMARKS
1	XC4968021	SELECTING UNIT ASSEMBLY (XL2100 Series)	
	XC5156021	PATTERN SELECTING UNIT ASSY (XL2200 Series, XL3800)	ADD
2	XC4976021	BH ADJUSTING KNOB	
3	X59928021	SPRING WASHER	
4	048080346	RETAINING RING, E8	
5	048060346	RETAINING RING, E6	
6	XC4999021	BH FEED LEVER ASSEMBLY	
7	XC5028021	REVERSE SEWING BUTTON	
8	XC5029021	SPRING	
9	X59905021	SPRING	
10	XC5092021	SPRING (XL2200 Series)	
11	XC5034021	SHAFT	
12	XC3805021	GIZA TITE 5 x 16	CHG
13	XC5035020	SPACER	
14	XC5036020	WASHER	
15	025040332	WASHER, PLAIN L 4	
16	XC6584021	SCREW, STUD M3	CHG
17	XC5038021	SELECTING DIAL	
18	XC5039023	DECORATION PLATE (XL2121)	
	XC5039021	DECORATION PLATE (XL2120)	
	XC5039028	DECORATION PLATE (XL2130)	
	XC5039029	DECORATION PLATE (XL2140)	
	XC5039030	DECORATION PLATE (XL2150)	ADD
	XC5039024	DECORATION PLATE (XL2230; U.S.A., CANADA)	
	XC5039022	DECORATION PLATE (XL2220)	
	XC5039025	DECORATION PLATE (XL2230)	
	XC5039026	DECORATION PLATE (XL2240)	
	XC5039027	DECORATION PLATE (XL2250)	
	XC5039031	DECORATION PLATE (XL3800)	ADD





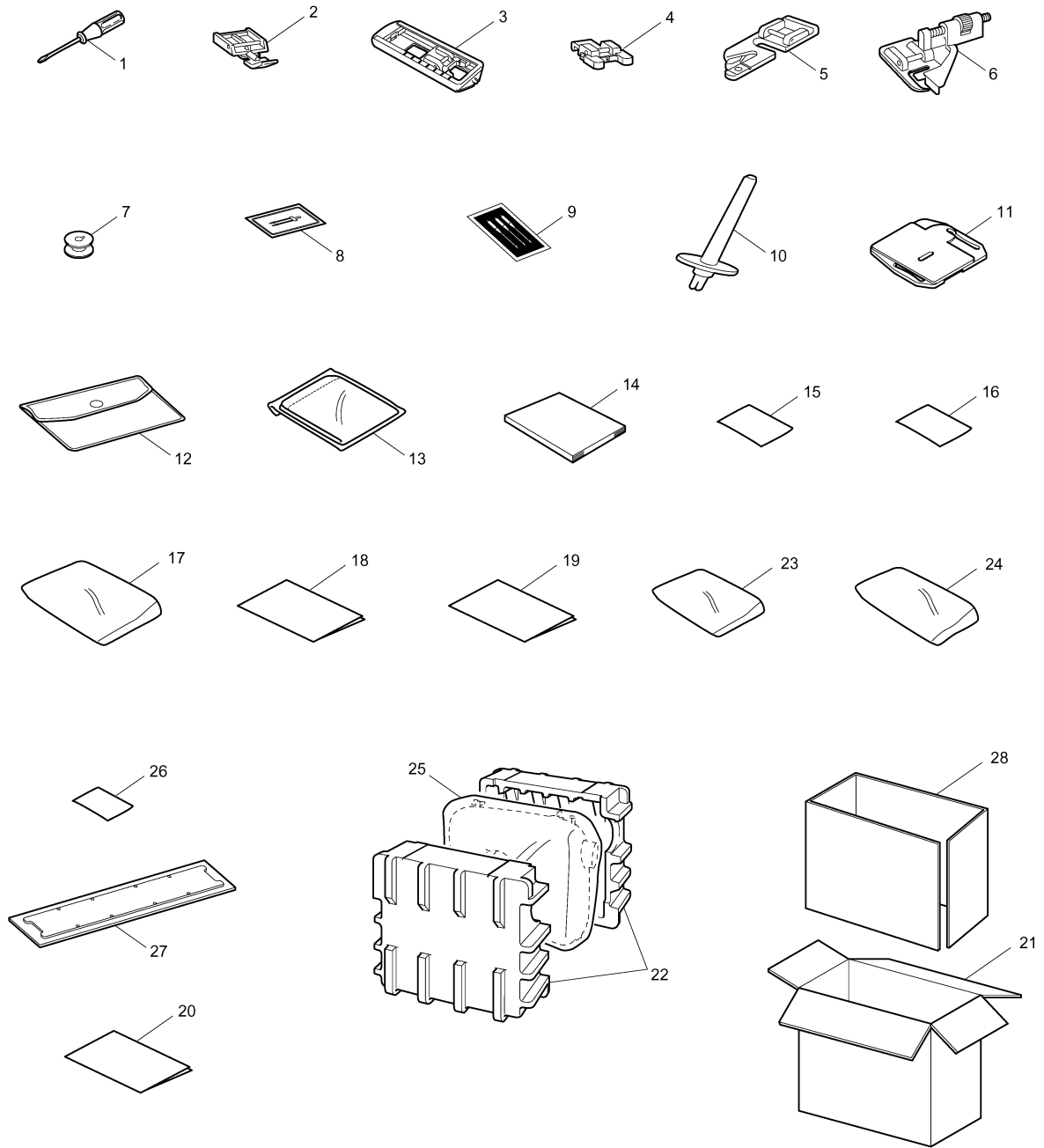
(6) LAMP MECHANISM / MOTOR UNIT

No.	CODE	NAME	REMARKS	No.	CODE	NAME	REMARKS
LAMP MECHANISM				26	XC7359022	FOOT CONTROLLER: KD-1902 (XL2121, XL2230, XL3800)	050240
1	XC5233021	LAMP ASSY,E12C #023 (U.S.A., CANADA)					
	XC5238021	LAMP ASSY,E14K #185					
2	X53061020	SEW-LIGHT BULB (U.S.A., CANADA)					
	205336020	SEW-LIGHT BULB L-4					
3	XC5065020	LAMP HOLDER 120V (U.S.A., CANADA)					
4	060400616	SCREW, BIND M4 x 6 (U.S.A., CANADA)					
5	060302016	SCREW, BIND M3 x 20 (U.S.A., CANADA)					
6	X53169020	BAND					
7	XA0286051	WIRE CLIP					
8	XC5243021	CORD CLAMP:NK-5N					
9	085411416	TAPTITE, BIND B M4 x 14	040232				
10	085311215	TAPTITE, BIND B M3 x 12 (EXCEPT U.S.A., CANADA)					
11	XC5066020	CORD GUIDE PLATE	CHG				
12	XC4972021	CORD CLAMP					
13	085411416	TAPTITE, BIND B M4 x14	040232				
14	125782021	SEW-LIGHT RATING STICKER					
MOTOR UNIT							
15	XC3806121	TIMING BELT 372-2GT-6	CHG				
16	XC3496021	GIZA TITE 5 x 16	040232				
17	XA8786021	3P SOCKET BODY					
18	XA8787021	3P SOCKET COVER					
19	021400205	NUT, 2 M4					
20	052403006	SCREW, PAN (S/P WASHER) M4 x 30					
21	214808050	CONNECTOR:#3					
22	XC5232021	POWER SWITCH ASSY					
23	XC6501021	MOTOR SUPPLY ASSY,120V					
	XC6502021	MOTOR SUPPLY ASSY,230V					
	XC6503021	MOTOR SUPPLY ASSY,240V					
24	XC5075020	YDK-120V MOTOR HOLDER (U.S.A., CANADA)	DEL 050120				
	XD0871020	MOTOR HOLDER FDM230V	050187				
25	XC3803020	MOTOR FAN					
26	XC6665021	FOOT CONTROLLER:FC-316-27-LF (U.S.A., CANADA)					
	XC7438322	FOOT CONTROLLER: KD-2902	050240				
	XC7456322	FOOT CONTROLLER:KD-2902UK	050240				
	XC9632021	FOOT CONTROLLER:FC-317-59 (AUSTRALIA)	040195				
27	XC4955020	MOTOR FIXED PLATE					
28	XA3004051	BOLT,(S/P WASHER) M5 x 12					
23	XC7225021	MOTOR SUPPLY ASSY,220V	ADD				
29	138172021	SCREW, PAN (S/P WASHER) M4X10	050187				



(7) ATTACHMENTS / PRINTED MATTER / PACKING MATERIALS

No.	CODE	NAME	REMARKS	No.	CODE	NAME	REMARKS
ATTACHMENTS				PACKING MATERIALS			
1	X55467021	SCREW DRIVER	040105	21	XC5079045	COLOR CARTON (XL2121)	050260
2	X59370051	ZIPPER FOOT			XC5152021	CARTON (XL2120) (Except for KOREA)	CHG
3	X59369321	BUTTON HOLE FOOT ASSY	050186		XC5152026	CARTON (XL2130)	
4	X59375151	BUTTON SEWING FOOT			XC5152027	CARTON (XL2140)	
5	X59371021	NARROW HEMMER FOOT (XL2230; U.S.A., CHILE, TAIWAN)	040232		XC5152028	CARTON (XL2150)	ADD
6	X59372021	BLIND STITCH FOOT (XL2230; U.S.A., CHILE, TAIWAN)	040232		XC5079044	COLOR CARTON (XL2230; U.S.A.)	050260
7	X52800120	BOBBIN			XC5079022	CARTON (XL2230; CANADA)	
8	X57521001	NEEDLE PACKAGE (1 PCE)			XC5152022	CARTON (XL2220) (Except for KOREA)	CHG
9	129583001	NEEDLE SET (3PCS)			XC5152023	CARTON (XL2230)	
10	130920021	EXTRA SPOOL PIN			XC5152024	CARTON (XL2240)	
11	XC6063021	FEED DOG COVER			XC5152025	CARTON (XL2250)	
12	XC4487021	ACCESSORY BAG			XC5079025	CARTON (XL3800)	ADD
13	XA2112022	DUST COVER ASSY (EXCEPT U.S.A., CANADA, KOREA)	CHG	22	XC5081220	S22SF ASSY (Except for KOREA)	050003
	XA3805021	QUILTING FOOT (XL3800)	ADD	23	264030021	BAG,165 x 250	
	122326001	CORDING FOOT (XL3800)	ADD	24	160670021	BAG,150 x 350	
PRINTED MATTER				NEW SPEC			
14	XC5142021	INSTRUCTION BOOK (English)		13	XC4842022	DUST COVER ASSY (KOREA)	ADD
	XC5145021	INSTRUCTION BOOK (Spanish)		18	XC7194021	QUICK REFERENCE GUIDE (Korean)	ADD
	XC5147021	INSTRUCTION BOOK (French)		21	XC5079024	CARTON (KOREA)	ADD
	XC5146021	INSTRUCTION BOOK (German)			XC5152023	CARTON (XL2230; CHILE)	ADD
	XC5148021	INSTRUCTION BOOK (Dutch)			XC5079027	CARTON (XL2230; AUSTRALIA)	ADD
	XC5149021	INSTRUCTION BOOK (Italian)			XC5079039	COLOR CARTON (XL2130NT:U.K.)	050252
	XC7413021	INSTRUCTION BOOK (Swedish)	ADD	22	XC5081221	S22SF ASSY (KOREA)	050003
	XC7381021	INSTRUCTION BOOK (Russian)	ADD		XD1002021	INSTRUCTION DVD PAL (U.K.)	050234
	XC6769021	INSTRUCTION BOOK (Finnish)	ADD		XD1122021	EEU WARRANTY CARD (EAST EUROPE)	050198
15	XC0380021	WARRANTY CARD (U.S.A.)		14	XD0086021	INSTRUCTION BOOK (EEU)	050030
	UH3851001	WARRANTY CARD EUR (EXCEPT U.S.A., CANADA, AUSTRALIA, RUSSIA, FINLAND)	CHG		XC7381121	INSTRUCTION MANUAL (Russian)	050192
	XC6402021	WARRANTY CARD (U.K.)			XC6893021	INSTRUCTION BOOK (Korean)	050197
	XA6351121	WARRANTY CARD (ITALY)	040235				
16	181401172	INSERTION WARRANTY COUPON (CANADA)					
17	130800021	BAG,220 x 310					
18	XC5077021	QUICK REFERENCE GUIDE					
	XC5052021	QUICK REFERENCE GUIDE (XL2230; U.S.A.)					
19	XC1885021	MANUAL (for NARROW HEMMER FOOT) (XL2230; U.S.A. , AUSTRALIA)	CHG				
20	XA7201021	USER'S MANUAL (for BLIND STITCH FOOT)	CHG				



XL2120/21/30/40/50
XL2220/30/40/50
XL3800
30F03HF885S22/23