

PARTS CATALOGUE FOR

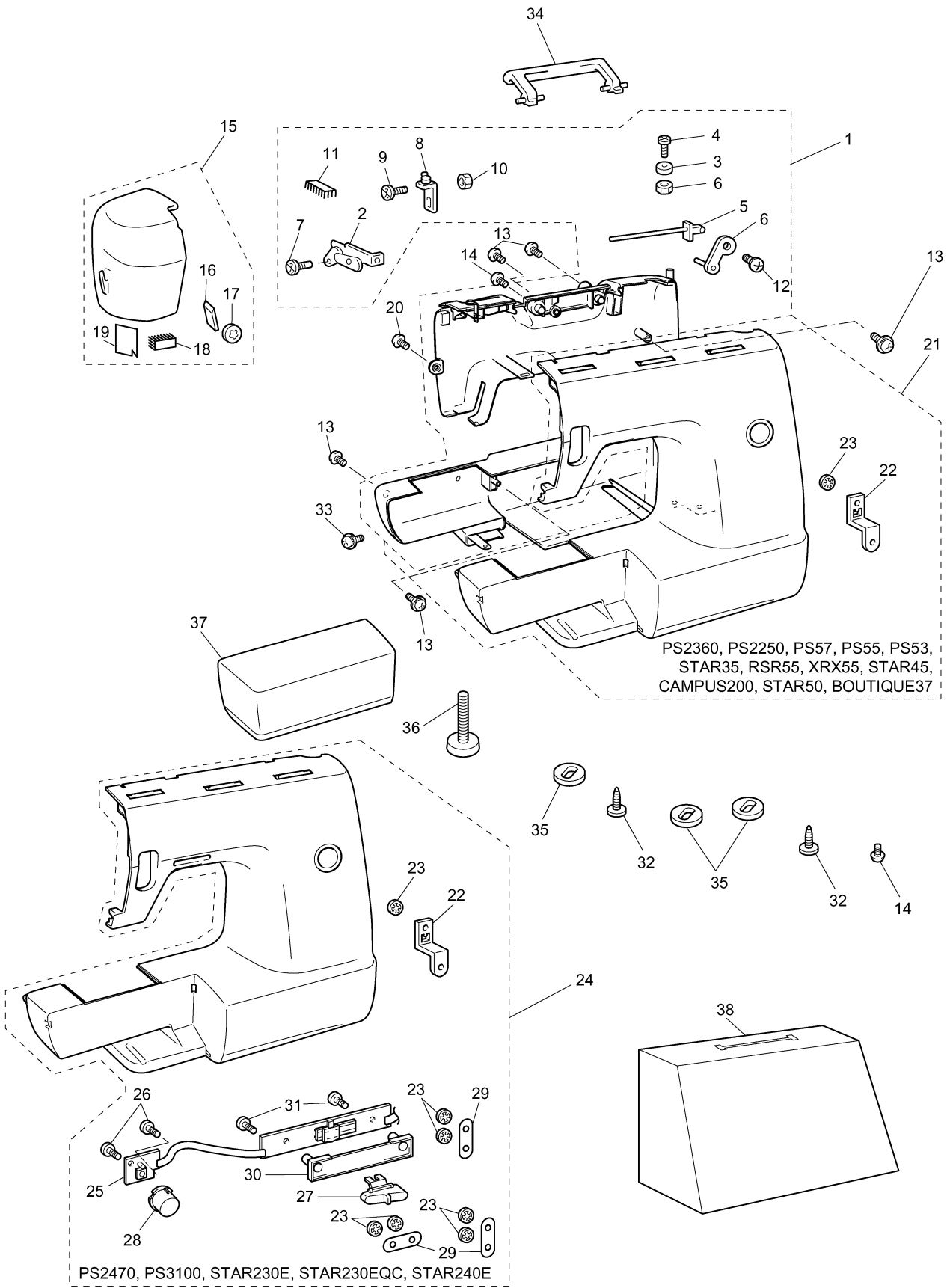
PS2250	STAR35
PS2360	STAR45
PS2470	STAR50
PS3100	
	STAR230E
PS53	STAR230EQC
PS55	STAR240E
PS57	
	CAMPUS200
RSR55	BOUTIQUE37
XRX55	

CONTENTS

(1) PRINCIPAL PARTS	2
(2) UPPER SHAFT AND NEEDLE BAR	4
(3) FEED MECHANISM AND SHUTTLE HOOK.....	6
(4) ZIGZAG, BH MECHANISM AND PATTERN SELECTION.....	10
(5) THREAD GUARD MECHANISM, LAMP MECHANISM	12
(6) MOTOR UNIT.....	14
(7) ATTACHEMENTS.....	16

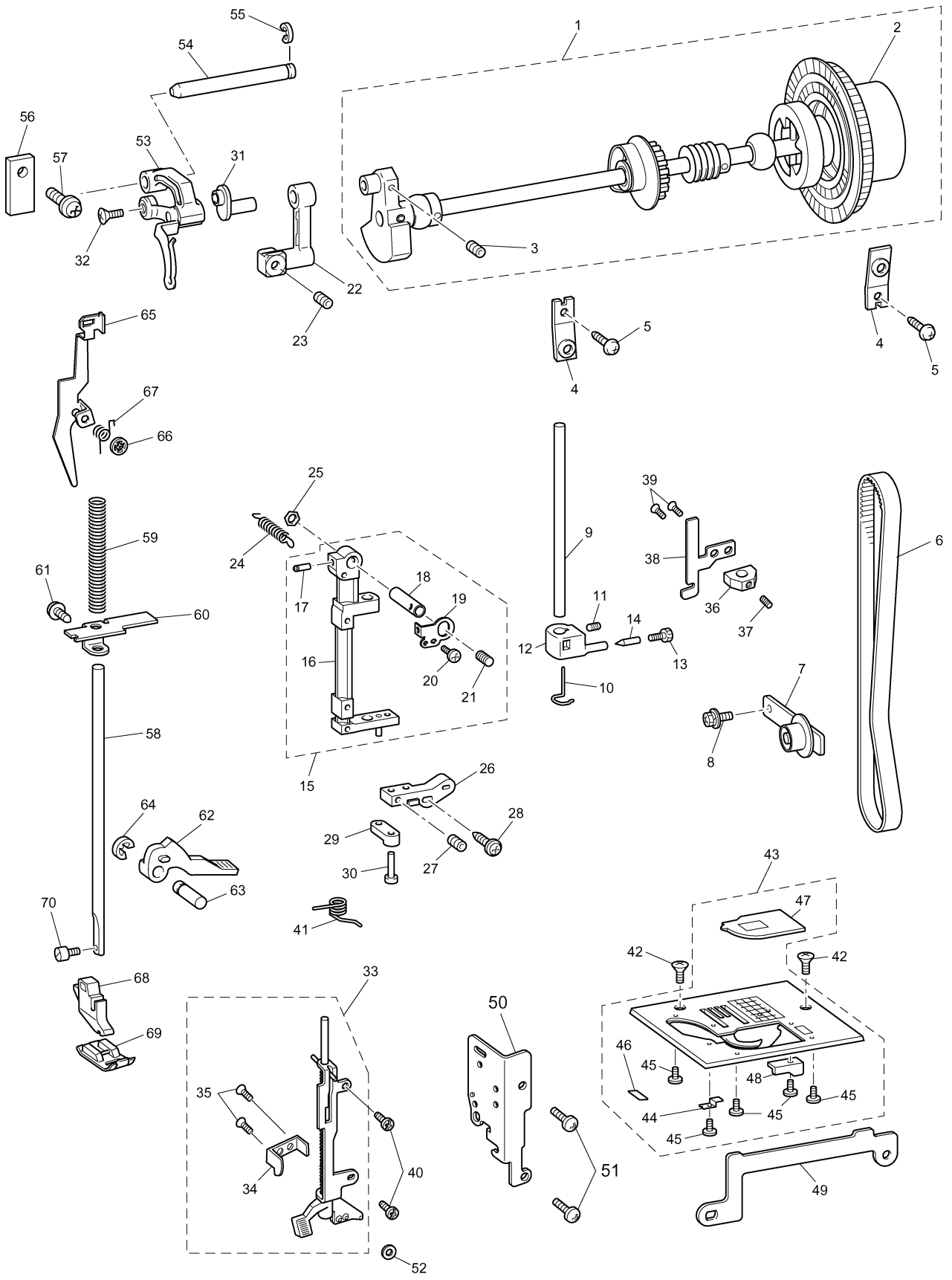
(1) PRINCIPAL PARTS

No.	CODE	NAME	REMARKS	No.	CODE	NAME	REMARKS
1	XC0844021	REAR COVER ASSEMBLY		23	146200021	RETAINING RING, CS4	
	XC0783021	REAR COVER ASSEMBLY (STAR230E, STAR230EQC, STAR240E, PS2470, PS3100)				(STAR230E, STAR230EQC, STAR240E, PS2470, PS3100)	
2	X59862051	THREAD GUIDE ASSY		24	XC0637021	FRONT COVER ASSEMBLY (PS2470)	
3	XC0751121	BOBBIN PRESSER			XC0637022	FRONT COVER ASSEMBLY (PS3100)	
4	0A4302006	SCREW PAN (S/P WASHER) M3X20			XC0996021	FRONT COVER ASSEMBLY (STAR230E)	
5	X59053022	SPOOL PIN			XC0996022	FRONT COVER ASSEMBLY (STAR230EQC)	
6	XA7273021	SPOOL PIN HOLDER ASSEMBLY			XC0884021	FRONT COVER ASSEMBLY (STAR240E)	
7	138433021	TAPTITE, PAN B M3X6		25	XC0908121	PCB ASSY:SS-VR 6P (STAR240E, PS2470, PS3100)	
8	X59226121	BOBBIN WINDER GUIDE ASSY			XC0640121	PCB ASSY:SS-VR 4P (STAR230E, STAR230EQC)	
9	X59642021	SCREW		26	138433021	TAPTITE, PAN B M3X6	
10	021300106	NUT 1 M3		27	XC0644021	SPEED KEY TOP	
11	X52654001	PILE 19X6X6		28	XC0645021	SS KEY TOP (STAR240E, PS2470, PS3100)	
12	136681021	TAPTITE, BIND B M3X8			XC0645023	SS KEY TOP (STAR230E, STAR230EQC)	
13	XA3337022	TAPTITE CUP P M4X20		29	XA9196020	CORD PRESSER	
14	060401216	SCREW, BIND M4X12		30	XC0648021	KEY TOP HOLDER	
15	X81363021	FACE PLATE ASSY		31	X59629021	TAPTITE, BIND B M3X10	
	XC0635021	FACE PLATE ASSEMBLY (STAR230E, STAR230EQC, STAR240E, PS2470, PS3100)		32	085411015	TAPTITE BIND B M4X10	
16	X80321021	NT LOWER THREAD CUTTER		33	053400806	SCREW, PAN (T WASHER) M4X8	
17	138384051	RETAINING RING, CS5		34	X59101122	CARRYING HANDLE	
18	XA6661021	PILE		35	XA7930021	BASE FOOT RUBBER	
19	XZ0134021	REFLECTOR (PS2250, PS53, PS55, RSR55, XRX55, STAR45, CAMPUS200, STAR50, PS57, BOUTIQUE37)		36	XA8611021	ADJUST SCREW ASSEMBLY	
20	052401406	SCREW, PAN (S/P WASHER) M4X14		37	XC0651121	ACCESSORY TABLE ASSEMBLY	
21	XC0848021	FRONT COVER ASSEMBLY (PS2250)			XC0651122	ACCESSORY TABLE ASSEMBLY (STAR35, STAR45)	
	XC0956021	FRONT COVER ASSEMBLY (PS53)		38	X52769656	CASE ASSEMBLY (PS53, PS55, PS57 : KOR, AUS, NZL, RSR55, XRX55, CAMPUS200, STAR50, BOUTIQUE37, STAR230E, STAR230EQC, PS2360, PS2470,	
	XD0203021	FRONT COVER ASSEMBLY (STAR35)					
	XC1003022	FRONT COVER ASSEMBLY (PS55)					
	XC2260022	FRONT COVER ASSEMBLY (RSR55)					
	XC2260023	FRONT COVER ASSEMBLY (XRX55)					
	XD0211021	FRONT COVER ASSEMBLY (STAR45)					
	XC2260024	FRONT COVER ASSEMBLY (CAMPUS200)					
	XC2260021	FRONT COVER ASSEMBLY (STAR50)					
	XC1003021	FRONT COVER ASSEMBLY (PS57)					
	XC1003023	FRONT COVER ASSEMBLY (BOUTIQUE37)					
	XC0881021	FRONT COVER ASSEMBLY (PS2360)					
22	XC0646021	PATTERN INDICATER PLATE SPRING					



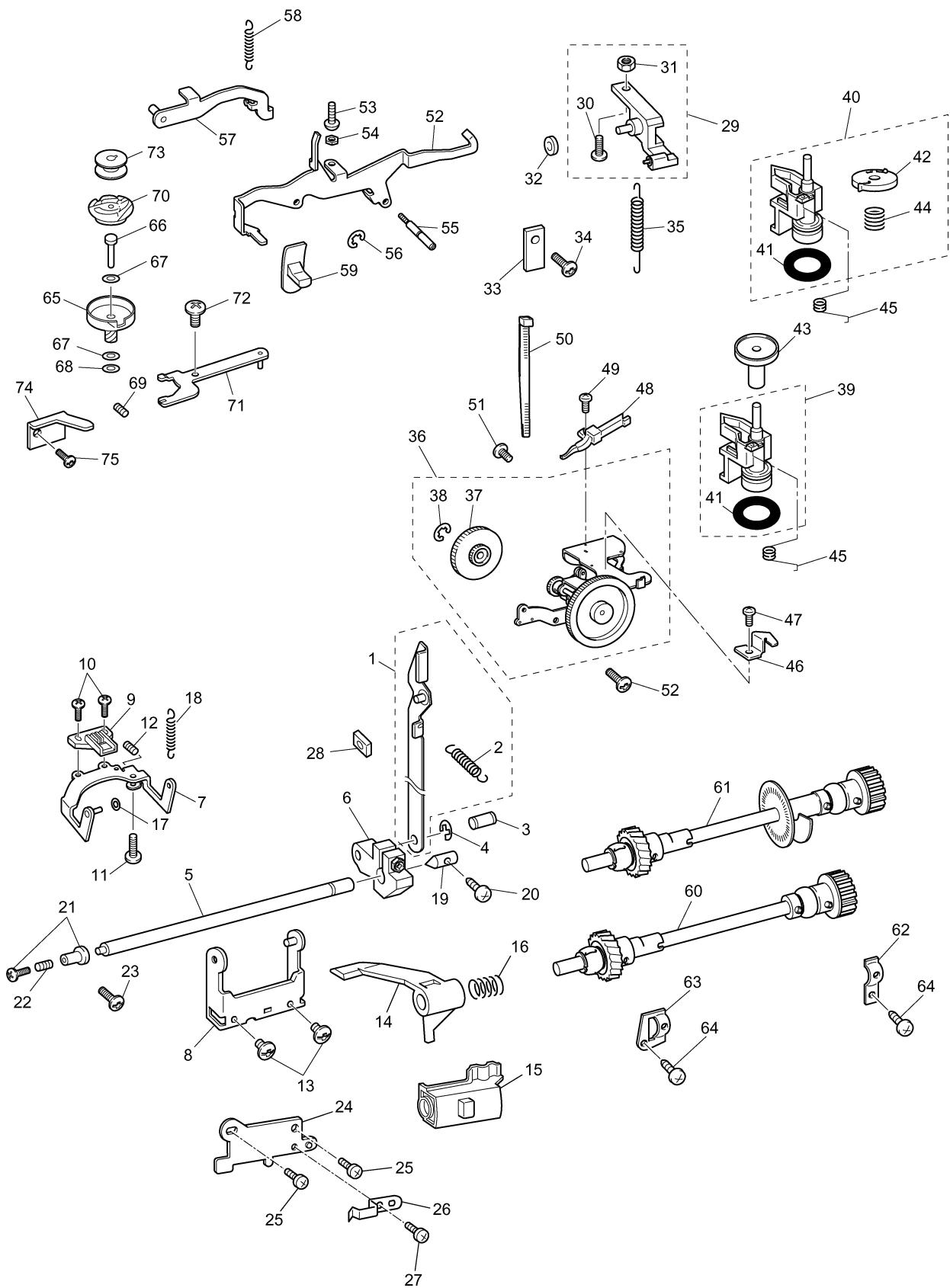
(2) UPPER SHAFT AND NEEDLE BAR

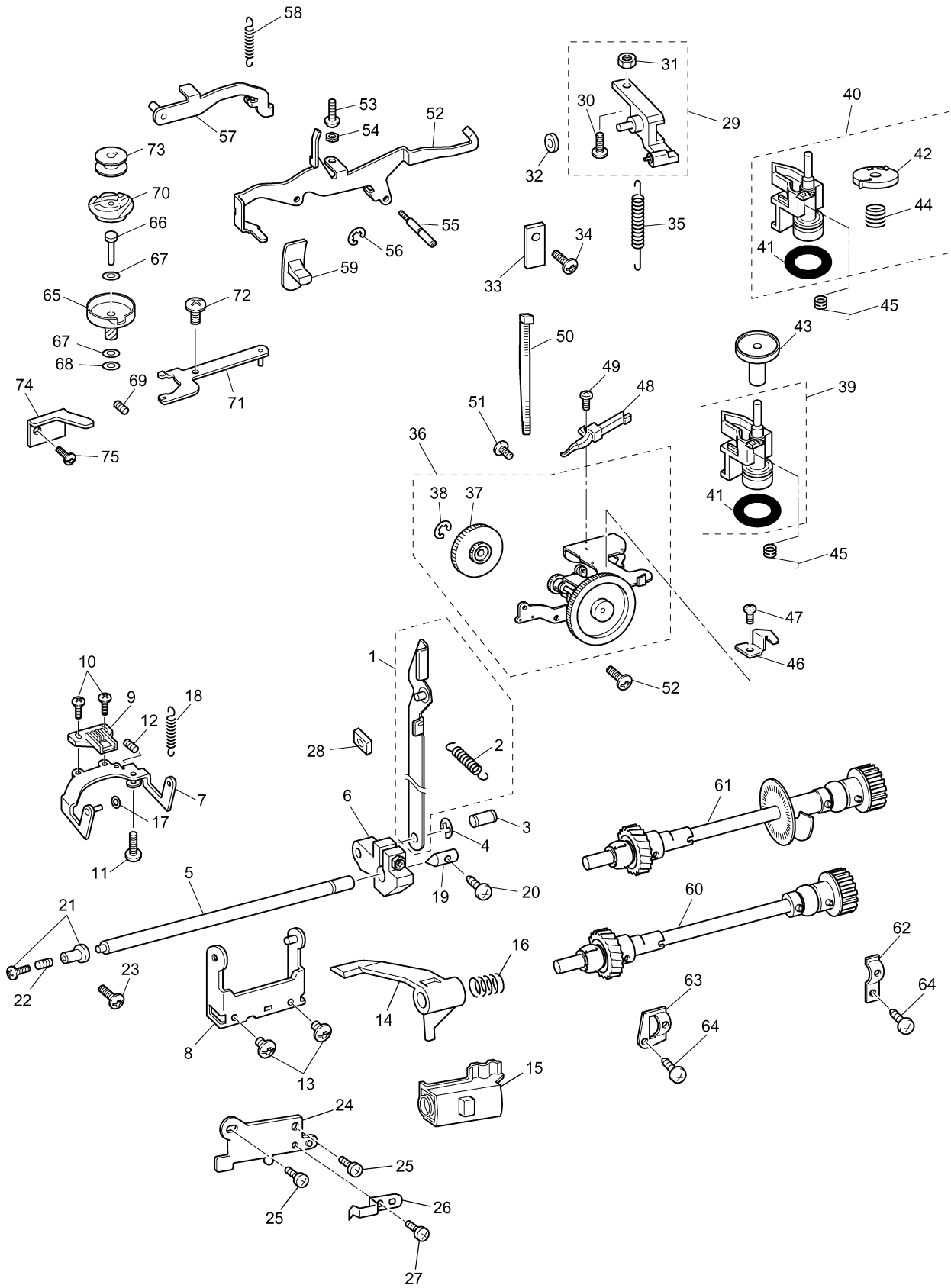
No.	CODE	NAME	REMARKS	No.	CODE	NAME	REMARKS
1	XA8029121	UPPER SHAFT ASSEMBLY		39	004260405	SCREW FLAT M2.6X4 (Except PS2250)	
2	X57370022	PULLEY		40	060400616	SCREW BIND M4X6 (Except PS2250)	
3	X54013051	SET SCREW SM6.35		41	XA8064021	SPRING	
4	X52478021	BUSHING PRESSER		42	X50487051	SCREW M4	
5	X57908021	TAPTITE BIND S M4 x 10		43	XC0614021	NEEDLE PLATE ASSEMBLY	
6	XA8039021	TIMING BELT		44	X56029050	SPRING,PLATE	
7	XA8040021	TENSION PULLEY ASSEMBLY		45	060260316	SCREW BIND M2.6X3	
8	XA3004021	BOLT, (S/P WASHER) M5X12		46	X80321021	NT LOWER THREAD CUTTER	
9	XA2358121	NEEDLE BAR		47	X56828151	NEEDLE PLATE COVER	
10	XC0947020	NEEDLE BAR THREAD GUIDE		48	XC1013020	UPPER THREAD KEEPING PLATE	
11	012400432	SET SCREW SOCKET (FT) M4X4		49	XA9251020	PLATE QB	
12	XZ0001121	NEEDLE CLAMP		50	XC0226021	BH LEVER HOLDER (PS2250, PS53, STAR35)	
13	XZ0002021	NEEDLE CLAMP SCREW		51	X57908021	TAPTITE,BIND S M4X10	
14	XA5718121	NEEDLE CLAMP PIN		52	025680133	WASHER, PLAIN S 4.37 (Except PS2250)	
15	XA8044021	NEEDLE BAR SUPPORTER ASSY		53	XA2505021	THREAD TAKE-UP LEVER ASSEMBLY	
16	XA8045021	NEEDLE BAR SUPPORTER SUB ASSY		54	XC0175021	TAKE-UP LEVER SHAFT	
17	XA8047020	NEEDLE BAR SUPPORTER SHAFT		55	048050346	RETAINING RING E5	
18	XA8048021	NEEDLE BAR SUPPORTER SHAFT		56	XA8083021	PRESSER PLATE	
19	XA8613021	SET PLATE		57	X57913021	TAPTITE, BIND S M4X16	
20	060300616	SCREW BIND M3X6		58	XA2402020	PRESSER BAR	
21	012400432	SET SCREW SOCKET (FT) M4X4		59	X55770021	PRESSER BAR SPRING	
22	XA1289121	NEEDLE BAR CRANK ROD ASSY		60	XA3955121	PRESSER BAR BRACKET	
23	014401232	SET SCREW SOCKET (CP) M4X12		61	X52760021	SET SCREW, PAN M6 x 12	
24	XC0600021	SPRING		62	XA2511121	PRESSER FOOT LIFTER	
25	X56851021	LOCK NUT		63	XA4422020	PRESSER FOOT LIFTER STUD	
26	XC0613051	H SHAFT HOLDER ASSY		64	048050346	RETAINING RING E5	
27	014400432	SET SCREW SOCKET (CP) M4X4		65	XA8065021	TENSION RELEASER C	
28	XA0649021	TAPTITE, CUP S M4X14		66	120454021	RETAINING RING, CS3	
29	XA7996051	NEEDLE BAR SUPPORTER ARM		67	XA5797021	SPRING	
30	X57647021	NEEDLE BAR SUPPORTER STUD		68	XC3015051	PRESSER FEED HOLDER ASSY	
31	XA2499021	NEEDLE BAR CRANK		69	137748151	PRESSER FOOT	
32	132051022	SCREW, FLAT SM3.57-40X7 L		70	132730122	TIGHTENING SCREW 3.57	
33	XA8052021	THREAD GUIDE PLATE ASSEMBLY (Except PS2250)					
34	XA0445151	THREADER HOOK ASSEMBLY (Except PS2250)					
35	037200516	TAPPING SCREW PAN V M2X5 (Except PS2250)					
36	XA2367020	NEEDLE THREADER SET COLLAR (Except PS2250)					
37	012400432	SET SCREW SOCKET (FT) M4X4 (Except PS2250)					
38	XA8056021	NEEDLE THREAD POSITION SETTER (Except PS2250)					



(3) FEED MECHANISM AND SHUTTLE HOOK

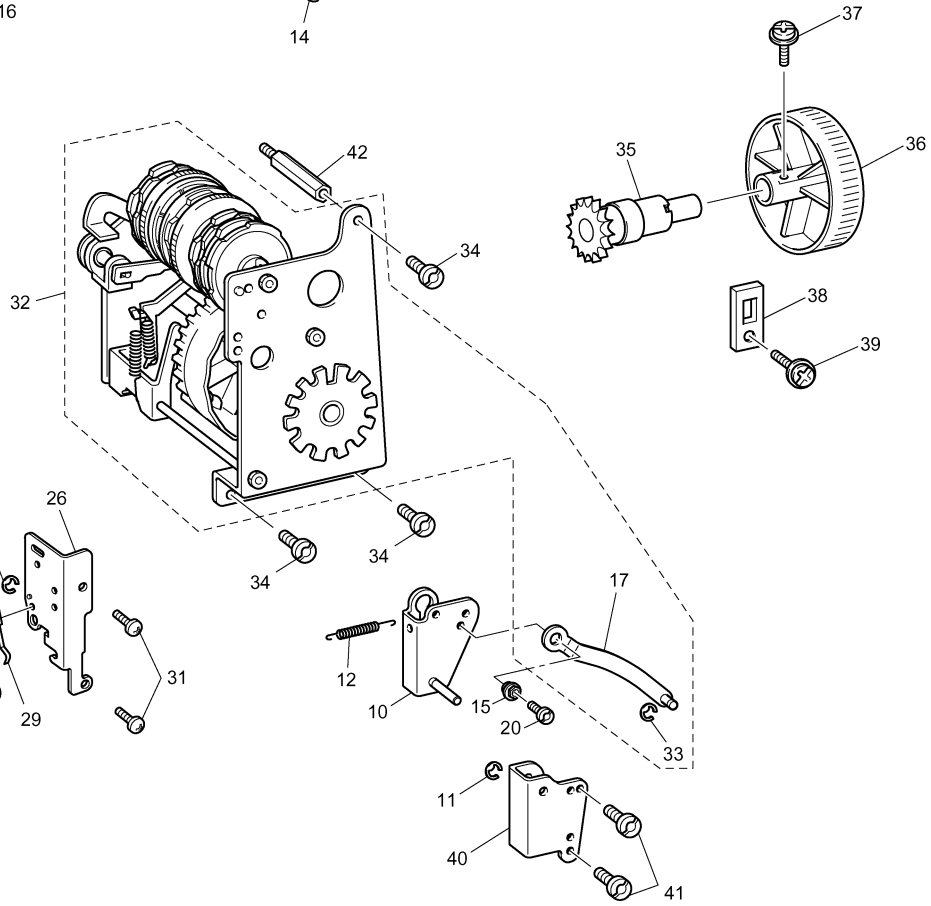
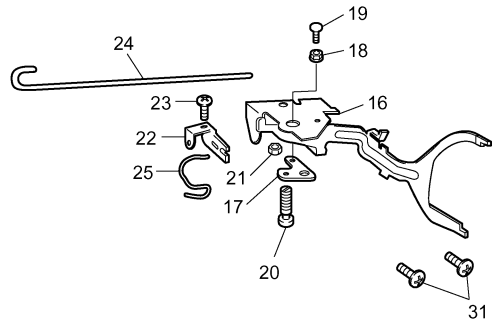
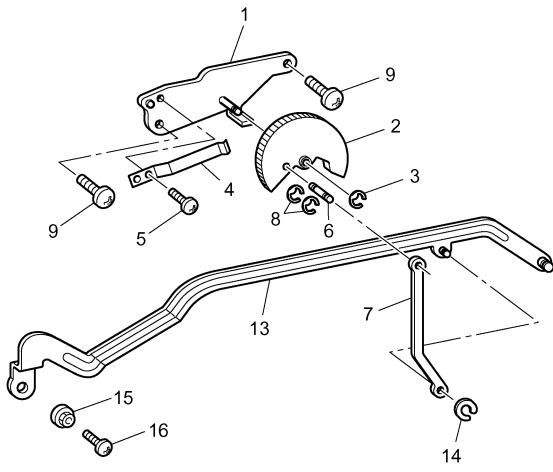
No.	CODE	NAME	REMARKS	No.	CODE	NAME	REMARKS
1	XA8066021	FEED CONNECTING ROD ASSY		41	120448021	BOBBIN WINDER RUBBER BAND	
2	X57350021	SPRING EXTENSION		42	XA2951021	BOBBIN BASE ASSY (STAR230E, STAR230EQC, STAR240E, PS2470, PS3100)	
3	X57345021	STUD		43	XA8099021	BOBBIN BASE	
4	048050346	RETAINING RING E5		44	XA2696021	SPRING (STAR230E, STAR230EQC, STAR240E, PS2470, PS3100)	
5	XA8070020	HORIZONTAL FEED SHAFT		45	XZ0070021	BOBBIN WINDER SPRING	
6	X57347021	HORIZONTAL FEED ARM ASSY		46	XA2862021	BOBBIN WINDER SHAFT STOPPER (STAR230E, STAR230EQC, STAR240E, PS2470, PS3100)	
7	XA8075021	FEED STAND ASSY		47	060300616	SCREW BIND M3X6 (STAR230E, STAR230EQC, STAR240E, PS2470, PS3100)	
8	XA8071021	HORIZONTAL FEED PLATE		48	XA8102021	BW LEAD WIRE ASSY (STAR230E, STAR230EQC, STAR240E, PS2470, PS3100)	
9	XC0618021	FEED DOG		49	062260516	SCREW PAN M2.6X5 (STAR230E, STAR230EQC, STAR240E, PS2470, PS3100)	
10	060301016	SCREW BIND M3X10		50	X53169020	BAND (STAR230E, STAR230EQC, STAR240E, PS2470, PS3100)	
11	XA8077051	VERTICAL FEED FINGER		51	060400616	SCREW BIND M4X6	
12	014401632	SET SCREW SOCKET (CP) M4X16		52	XA8105021	REVERSE SEWING LEVER A	
13	060400816	SCREW BIND M4X8		53	X59200021	SCREW	
14	XA2526021	DROP PLATE		54	X56960021	NUT 4	
15	XA5858022	DROP KNOB		55	XC0203021	SCREW, STUD M4	
16	XA2199021	SPRING		56	048050346	RETAINING RING E5	
17	120454021	RETAINING RING,CS3		57	XA8531021	REVERSE SEWING LEVER B ASSY	
18	XA1911021	SPRING		58	XA8111021	SPRING	
19	X54390051	TAPER POINT STUD R		59	XC0202021	REVERSE SEWING BUTTON	
20	X57913021	TAPTITE, BIND S M4X16		60	XC0852121	LOWER SHAFT ASSEMBLY	
21	X55472021	TAPER POINT STUD L ASSEMBLY		61	XA8112121	LOWER SHAFT ASSEMBLY (STAR230E, STAR230EQC, STAR240E, PS2470, PS3100)	
22	X56613021	SPRING		62	132421021	BUSHING PRESSER	
23	XZ0074021	TAPTITE, CUP S 4X16		63	XA1975021	BUSHING PRESSER L	
24	XC0324021	DROP GUIDE PLATE		64	X57908021	TAPTITE, BIND S M4X10	
25	X57908021	TAPTITE, BIND S M4X10		65	XC0752121	OUTER ROTARY HOOK ASSY	
26	XA5859020	SPRING		66	XA0360121	OUTER ROTERY HOOK SHAFT	
27	060300516	SCREW BIND M3X5		67	XA2190020	WASHER U	
28	XA0030021	FEED SQUARE BLOCK		68	XA0362021	WASHER	
29	XA8079051	FEED REGULATOR ASSEMBLY					
30	XA8081051	ADJUST SCREW					
31	X56960021	NUT 4					
32	X53330020	WASHER					
33	XA8083021	PRESSER PLATE					
34	X57908021	TAPTITE, BIND S M4X10					
35	XA0998021	SPRING					
36	XC0195021	FEED BRACKET SUB ASSEMBLY					
	XC0195023	FEED BRACKET SUB ASSEMBLY (BOUTIQUE37)					
37	XA8090020	IDLE GEAR					
38	048040346	RETAINING RING E4					
39	XC0199021	BOBBIN WINDER SHAFT BASE ASSY					
40	XC0620021	BOBBIN WINDER SHAFT BASE ASSY (STAR230E, STAR230EQC, STAR240E, PS3100, PS2470)					





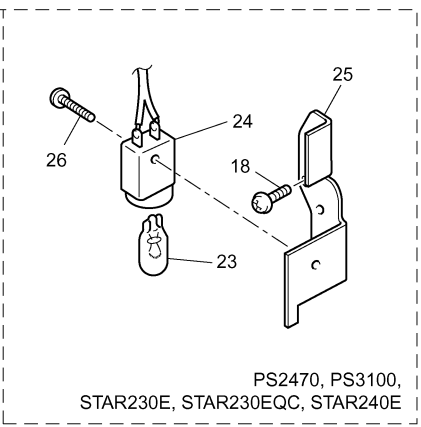
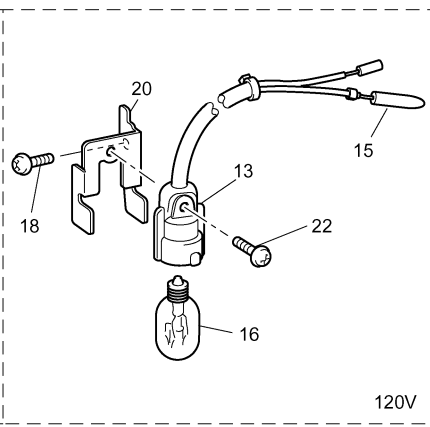
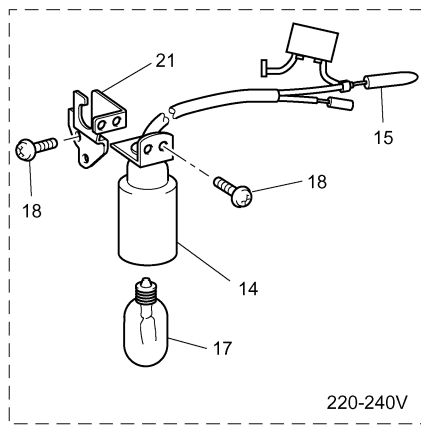
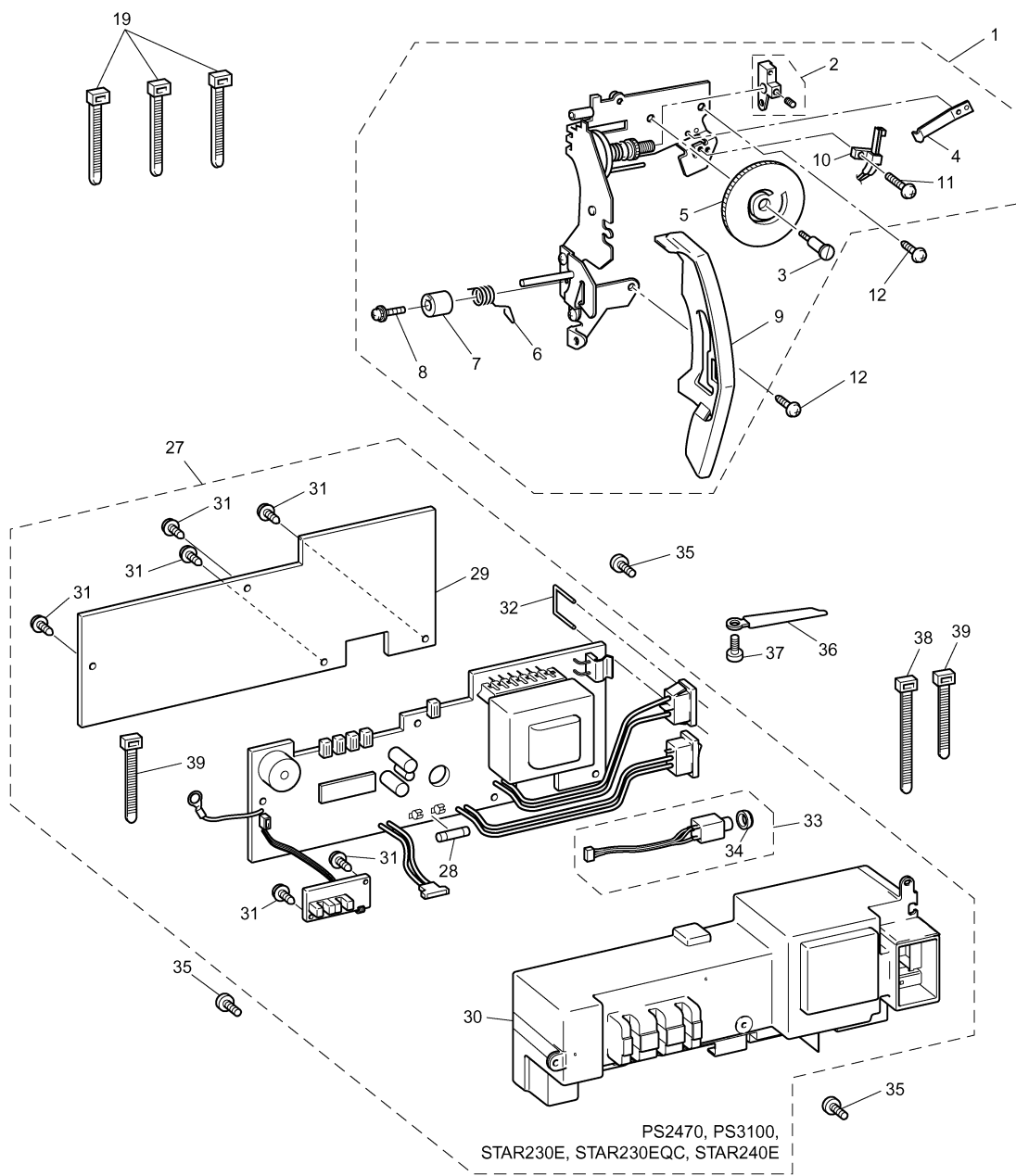
(4) ZIGZAG, BH MECHANISM AND PATTERN SELECTION

No.	CODE	NAME	REMARKS	No.	CODE	NAME	REMARKS
ZIGZAG MECHANISM				PATTERN SELECTION MECHANISM			
1	XC0206021	Z DIAL HOLDER ASSY		32	XC0853021	PATTERN SELECTING UNIT ASSY (PS2250, PS53, STAR35)	
2	XC0210021	Z DIAL			XC0998021	PATTERN SELECTING UNIT ASSY (PS55, RSR55, XRX55, STAR45, STAR50 CAMPUS200, STAR230E, STAR230EQC)	
3	048040346	RETAINING RING E4			XC0888021	PATTERN SELECTING UNIT ASSY (PS57, BOUTIQUE37, STAR240E)	
4	X56839021	NOTCHED SPRING			XC0883021	PATTERN SELECTING UNIT ASSY (PS2360)	
5	062300416	SCREW PAN M3X4			XC0623021	PATTERN SELECTING UNIT ASSY (PS2470, PS3100)	
6	XC0211021	Z DIAL PIN		33	048040346	RETAINING RING E4	
7	XC0221021	Z DIAL CONNECTING ROD		34	060400816	SCREW BIND M4X8	
8	048020346	RETAINING RING E2		35	XC0629021	SELECTING GEAR ASSY (PS2250, PS53, STAR35, PS2360, PS2470, PS3100)	
9	060400816	SCREW BIND M4X8			XC0260121	SELECTING GEAR ASSY (PS55, RSR55, XRX55, STAR45, STAR50 CAMPUS200, STAR230E, STAR230EQC, PS57, BOUTIQUE37, STAR240E)	
10	XC0212021	ZIGZAG LINK ASSY Z7R		36	X59154022	PATTERN SELECTING DIAL	
11	048050346	RETAINING RING E5		37	052401406	SCREW, PAN (S/P WASHER) M4X14	
12	XC0215021	SPRING		38	XA8190021	PRESSER PLATE	
13	XC0216021	Z CONNECTING ROD ASSY		39	X57908021	TAPTITE, BIND S M4X10	
14	048020346	RETAINING RING E2		40	XC0263021	ZIGZAG LINK HOLDER Z7R	
15	X50559020	ZIGZAG ADJUSTING NUT		41	060400616	SCREW BIND M4X6	
16	062301006	SCREW PAN M3X10		42	XC0264021	SCREW, HEXAGON M4X40.5	
BH MECHANISM (Except PS2250, PS53, STAR35)							
16	XC0223021	BH STOPPER ASSY					
17	X52176021	BH ADJUSTING PLATE					
18	130833021	ECCENTRIC NUT					
19	062670812	SCREW PAN SM3.57-40X8					
20	X52030221	BH NOTCH ADJUSTING SCREW					
21	102571026	NUT, SM4.37					
22	X52027021	BH CHANGE ARM					
23	060400816	SCREW BIND M4X8					
24	XC0224021	BH CONNECTING SHAFT					
25	XZ0023021	BH NOTCH SPRING					
26	XC0226021	BH LEVER HOLDER					
27	XA3975121	BH LEVER HOLDER ASSEMBLY					
28	048040346	RETAINING RING E4					
29	XC0227021	BH SPRING					
30	060300616	SCREW BIND M3X6					
31	X57908021	TAPTITE, BIND S M4X10					



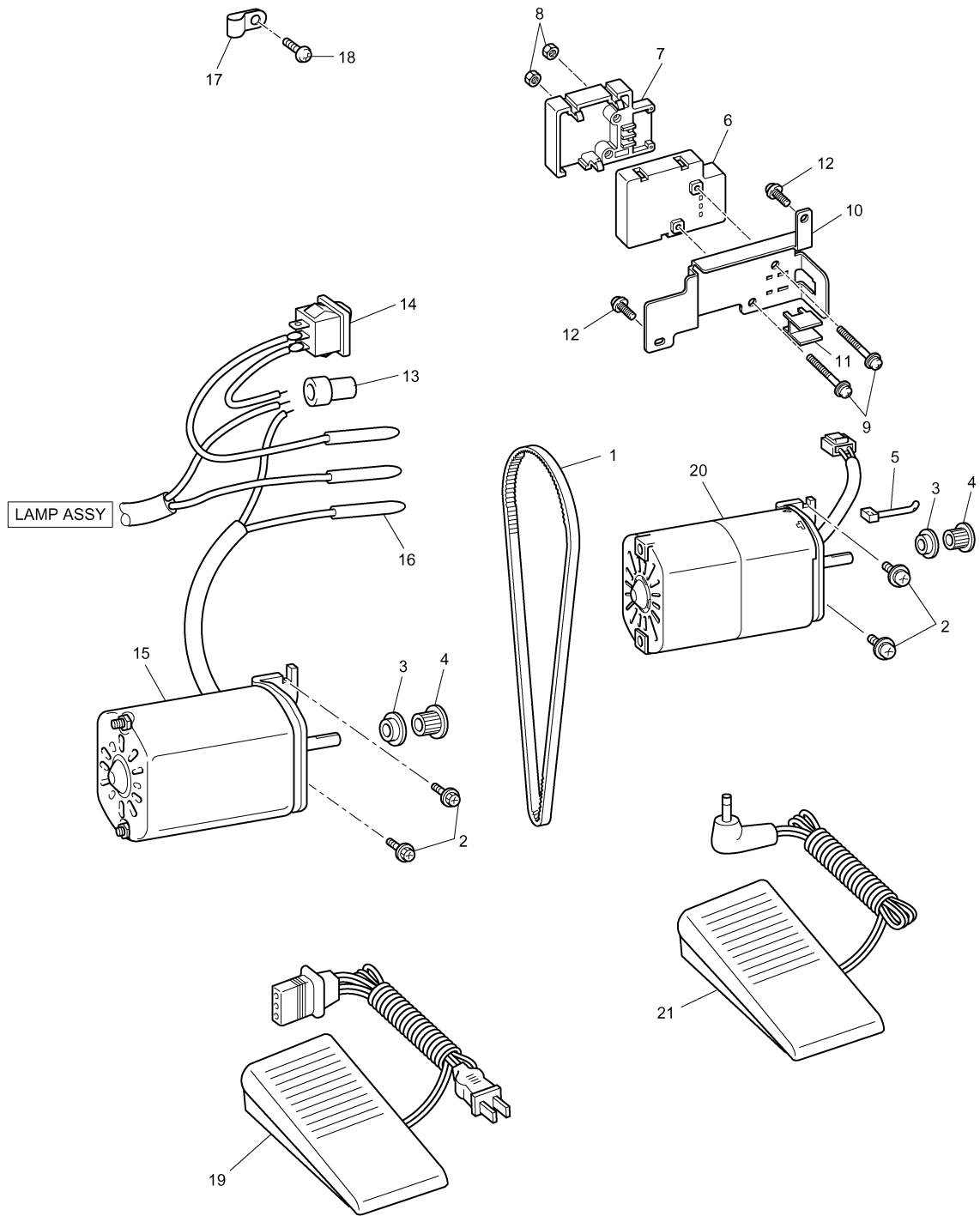
(5) THREAD GUARD MECHANISM, LAMP MECHANISM

No.	CODE	NAME	REMARKS	No.	CODE	NAME	REMARKS
THREAD GUARD MECHANISM				LAMP MECHANISM			
(STAR230E, STAR230EQC, STAR240E, PS2470, PS3100)				(STAR230E, STAR230EQC, STAR240E, PS2470, PS3100)			
1	XC0857021	THREAD GUARD ASSY		23	XA2037021	WB SEW LIGHT BULB	
	XC0632021	THREAD GUARD ASSY (STAR230E, STAR230EQC, STAR240E, PS2470, PS3100)		24	XC0912021	SUB ASSY, WBL LAMP SOCKET	
2	X56975151	NUT, THREAD TENSION ASSY		25	XC0634021	LAMP HOLDER	
3	X59984051	TENSION DIAL SHAFT		26	002261205	SCREW PAN M2.6X12	
4	X56839051	NOTCHED SPRING		27	XC0953121	PCB ASSY:MOTOR CONTROL 276-230 (STAR230E, STAR230EQC)	
5	X59985157	TENSION DIAL			XC0004121	PCB ASSY:MOTOR CONTROL 279-230 (STAR240E)	
6	X58857021	THREAD TAKE UP SPRING			XC0001121	PCB MOTOR CONTROL ASSY 279-120 (PS2470, PS3100)	
7	132305051	THREARD TAKE UP SPRING CASE		28	XA1463021	GLASS FUSE (STAR230E, STAR230EQC, STAR240E)	
8	0A4401606	SCREW PAN (S/P WASHER) M4X16			XA4871021	G FUSE 3.15 AA (PS2470, PS3100)	
9	XC0633051	THREARD GUARD COVER		29	XA8815021	INSULATION PLATE	
10	XA8197051	BT SWITCH ASSY (STAR230E, STAR230EQC, STAR240E, PS2470, PS3100)		30	XA8201221	INSULATION COVER (STAR230E, STAR230EQC, STAR240E)	
11	062260516	SCREW PAN M2.6X5 (STAR230E, STAR230EQC, STAR240E, PS2470, PS3100)			XA8201251	INSULATION COVER (PS2470, PS3100)	
12	X57908021	TAPTITE,BIND S M4X10		31	X59629021	TAPTITE, BIND B M3X10	
LAMP MECHANISM				32	X52737121	SPRING	
(PS2250, PS53, STAR35, PS55, RSR55, XRX55, STAR45, CAMPUS200, STAR50, PS57, BOUTIQUE37, PS2360)				33	X81364021	PIN JACK NUT ASSY	
13	XC0784021	LAMP ASSY, E12C#022 (PS2250, PS2360)		34	X51271021	NUT	
14	XC0789021	LAMP ASSY:E14 #184 (PS53, STAR35, PS55, RSR55, XRX55, STAR45, CAMPUS200, STAR50, PS57, BOUTIQUE37)		35	052401406	SCREW, PAN (S/P WASHER) M4X14	
15	138598021	SOCKET PIN		36	XA0286021	WIRE CLIP	
16	X53061020	SEW-LIGHT BULB (PS2250, PS2360)		37	060400616	SCREW BIND M4X6	
17	205336020	SEW-LIGHT BULB L-4 (PS53, STAR35, PS55, RSR55, XRX55, STAR45, CAMPUS200, STAR50, PS57, BOUTIQUE37)		38	XA9815020	BAND : L150 (STAR230E, STAR230EQC, STAR240E)	
18	060300616	SCREW BIND M3X6		39	X53169020	BAND	
19	X53169020	BAND					
20	XC0273021	LAMP HOLDER 120V (PS2250, PS2360)					
21	XC0398021	LAMP HOLDER 240V (PS53, STAR35, PS55, RSR55, XRX55, STAR45, CAMPUS200, STAR50, PS57, BOUTIQUE37)					
22	060302016	SCREW BIND M3X20					



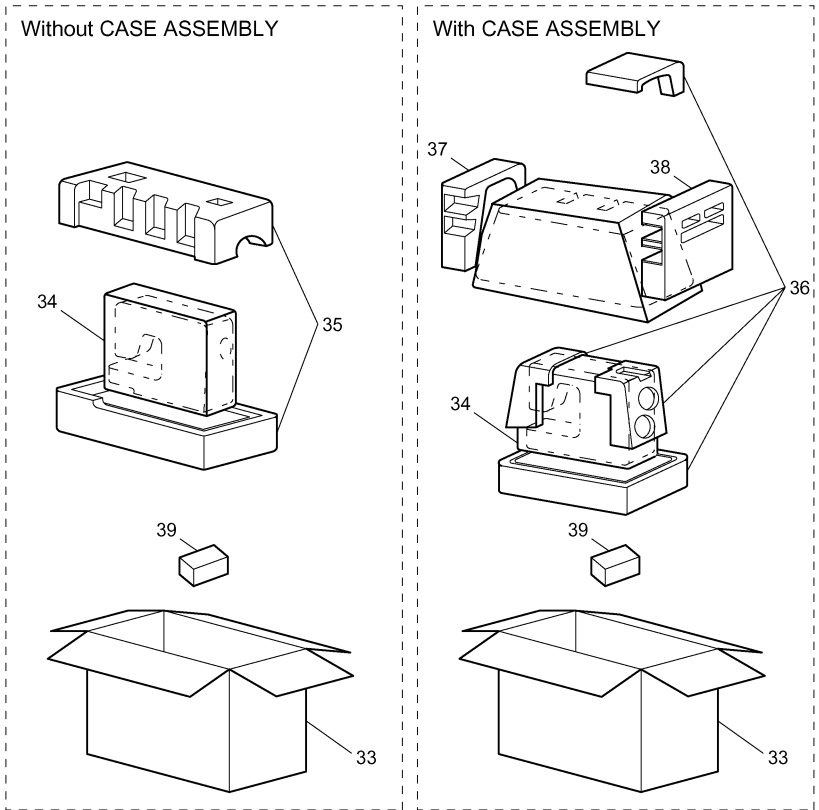
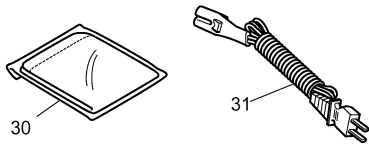
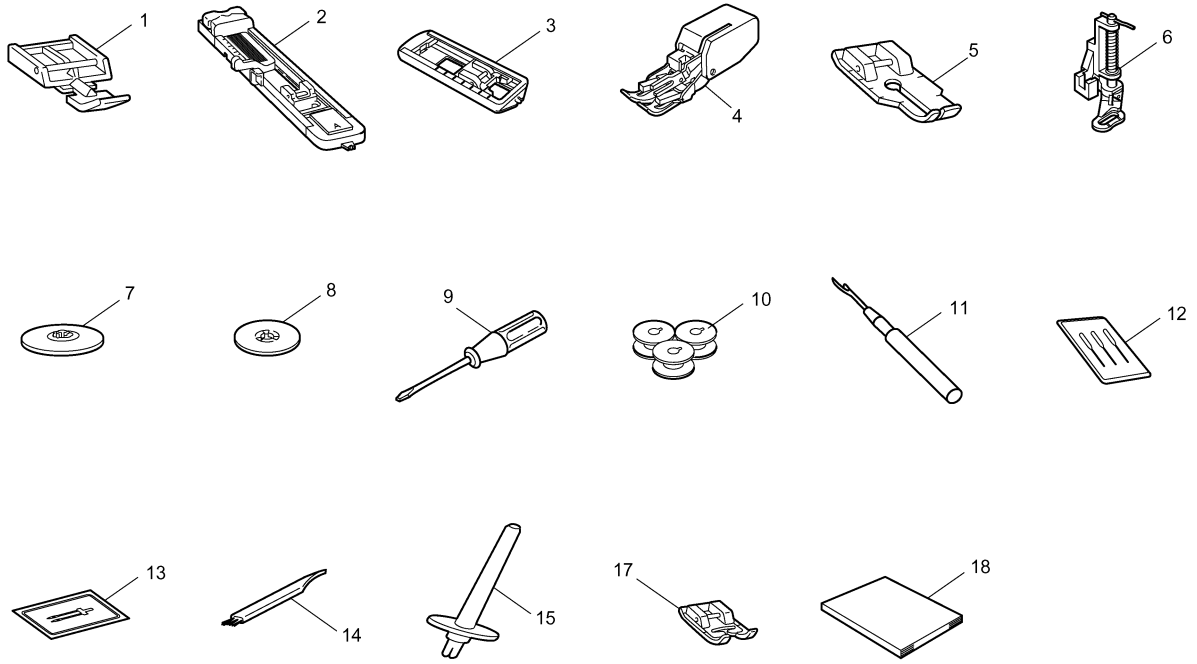
(6) MOTOR UNIT

No.	CODE	NAME	REMARKS	No.	CODE	NAME	REMARKS
1	XA2992021	TIMING BELT		(STAR230E, STAR230EQC, STAR240E, PS2470, PS3100)			
2	XA3004021	BOLT, (S/P WASHER) M5X12		20	XC0711021	MOTOR : MM-514-21 (120V) (PS2470, PS3100)	
3	XA1265120	MOTOR T-PULLY A			XC4533021	MOTOR:MM-514-56 (STAR230E, STAR240E:KOREA)	
4	XA1266120	MOTOR T-PULLY B			XC0717021	MOTOR:MM-514-51 (230V) (OTHER)	
5	220681021	CABLE TIE		21	XD0496021	FOOT CONTROLLER : FC-313-LF-EU (STAR230E:GER, U.K., FRA, ITA, FIN, SWI, STAR240E:GER, U.K., FRA, ITA, FIN)	
(PS2250, PS53, STAR35, PS55, RSR55, XRX55, STAR45, CAMPUS200, STAR50, PS57, BOUTIQUE37, PS2360)					XC6651121	FOOT CONTROLLER : FC-313-81-LF (STAR230E:RUS, KOR, SIN, AUS, STAR230EQC, STAR240E:RUS, KOR SIN, CHINA, AUS, PS2470, PS3100)	
6	X59176121	3P SOCKET BODY					
7	X59177021	3P SOCKET COVER					
8	021400205	NUT 2 M4					
9	XA1653021	SCREW 4X26					
10	XC0274020	3P HOLDER					
11	XC0858021	SWITCH COVER					
12	060400616	SCREW BIND M4X6					
13	214808020	CONNECTOR:#3					
14	XC0814021	POWER SWITCH ASSY (120V) (PS2250, PS2360)					
	XC0817021	POWER SWITCH ASSY (240V) (PS53, STAR35, PS55, RSR55, XRX55, STAR45, CAMPUS200, STAR50, PS57, BOUTIQUE37)					
15	XC0819121	MOTOR:YM230-8C T4 (PS2250, PS2360)					
	XC1063021	MOTOR:MM-514-55 (PS53, PS55, PS57:KOR, CAMPUS200)					
	XC1062021	MOTOR:MM-514-54 (PS53, PS57:AUSTRALIA, PS55:NEW ZEALAND)					
	XC0821021	MOTOR:MM-514-53 (OTHER)					
16	138598021	SOCKET PIN					
17	XA8837021	CORD CLAMP					
18	X57908021	TAPTITE, BIND S M4X10					
19	XC7359021	FOOT CONTROLLER:KD-1902 (PS2250, PS2360)					
	XC7456321	FOOT CONTROLLER:KD-2902UK (PS53, PS55, PS57:U.K.)					
	XA6424121	FOOT CONTROLLER:FC-307-64 (PS53, PS55, PS57:KOR, CAMPUS200)					
	XC9632021	FOOT CONTROLLER:FC-317-59 (PS53, PS57:AUSTRALIA, PS55:NEW ZEALAND)					
	XC7438321	FOOT CONTROLLER:KD-2902 (OTHER)					



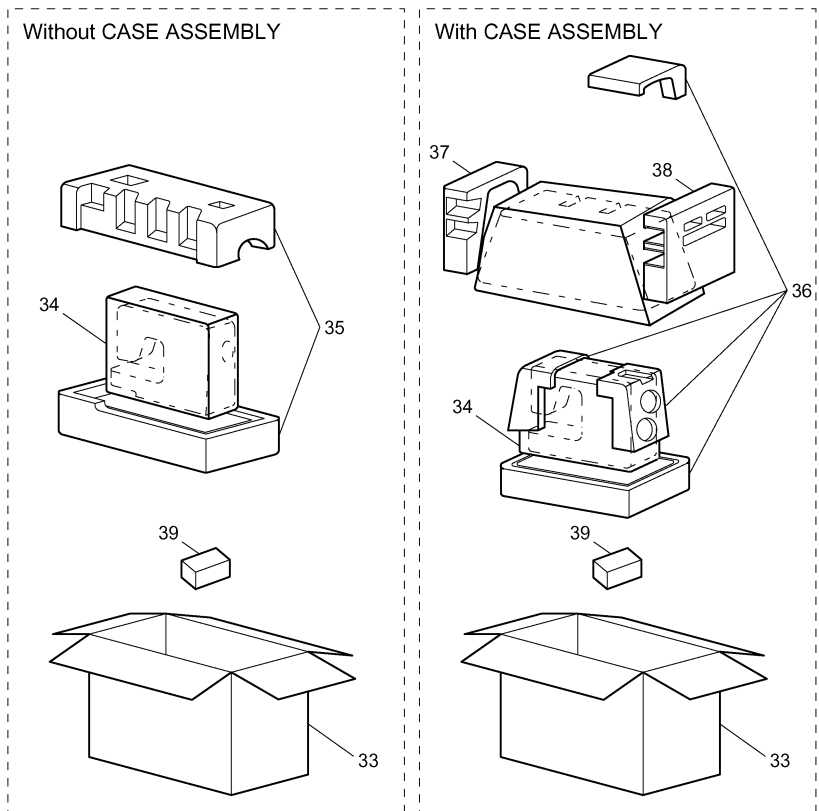
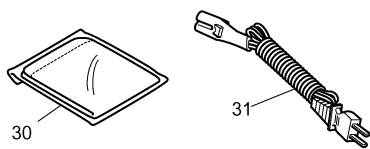
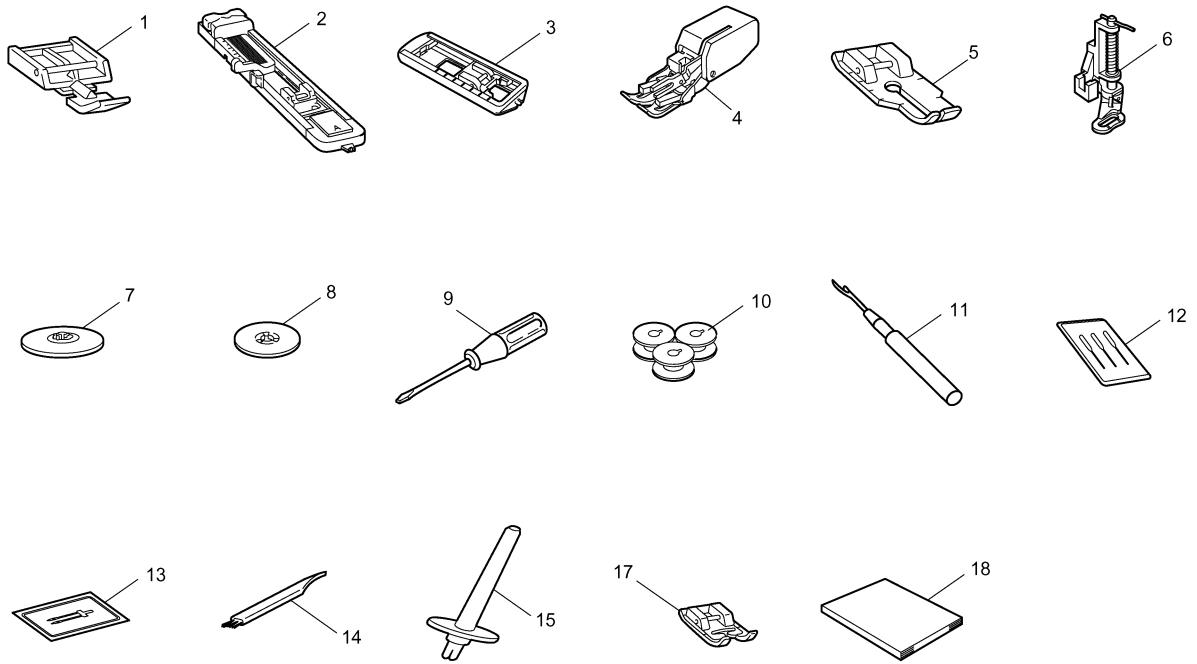
(7) ATTACHEMENTS

No.	CODE	NAME	REMARKS	No.	CODE	NAME	REMARKS
ATTACHEMENTS							
1	X59370051	ZIPPER FOOT		18	194277014	OPERATION MANUAL (Swedish, Finnish, Danish) (PS53:FIN, PS55:FIN, STAR230E:FIN, STAR240E:FIN)	
2	XA4911121	BH PRESSER FOOT ASSY (Except PS2250, PS53, STAR35)			194279111	OPERATION MANUAL (English, French, Spanish) (PS2360, PS2470, PS3100)	
3	X59369351	BUTTON HOLE FOOT ASSY (PS2250, PS53, STAR35)			XC4785021	OPERATION MANUAL (Hangul) (KOREA)	
4	X59816101	WALKING FOOT ASSEMBLY (STAR230EQC, STAR240E)		19	UH3851001	WARRANTY CARD EUR (GER, U.K., FRA, AUS, ITA, SWI)	
5	XA3805021	1/4'QUILTING FOOT (STAR230EQC)		20	XC6402021	WARRANTY CARD UK (U.K.)	
	XA3805051	1/4'QUILTING FOOT (STAR240E)		21	XA6351121	WARRANTY CARD (ITA)	
6	X59821001	QUILTING FOOT (STAR230EQC, STAR240E)		22	XA8411121	WARRANTY CARD (STAR240E:CHINA)	
7	130012054	SPOOL PRESSER A		23	XD0254021	EEU WARRANTY CARD (PS55:AUSTRIA)	
8	130013154	SPOOL PRESSER B		24	XC8946021	WARRANTY CARD C (PS3100)	
9	X55467021	SCREW DRIVER		25	181401172	INSERTION WARRANTY COUPON (CANADA)	
10	X52800120	BOBBIN		26	XD0256021	INSERTION WEEE (GER, U.K., FRA, AUS, ITA, FIN, SWI)	
11	X54243051	SEAM RIPPER		27	XC7143021	INSTRUCTION BOOK (STAR240E:CHINA)	
12	129583021	NEEDLE SET (3PCS)		28	XC9292021	MANUAL ASSY (BOUTIQUE37)	
13	X57521021	NEEDLE PACKAGE (1PCE)		29	XA0188050	BAG (STAR230E:Except KOR, STAR230EQC, STAR240E:Except KOR)	
14	X59476021	CLEANING BRUSH		30	X53984027	DUST COVER ASSY (PS53:Except AUSTRALIA, STAR45, PS55:Except NEW ZEALAND, PS57:Except AUSTRALIA, RSR55, XRX55, STAR50, BOUTIQUE37)	
15	130920021	EXTRA SPOOL PIN		31	XA0070121	POWER SUPPLY CORD (STAR230E:OTHER, STAR240E:OTHER)	
16	X57367021	BAG, 135X150			X59354121	POWER SUPPLY CORD -BS (STAR230E:U.K., STAR240E:U.K.)	
17	137988101	PRESSER FOOT (PS2250, PS2360, PS2470, PS3100)			XA1291021	POWER SUPPLY CORD (STAR230E:KOR, STAR240E:KOR)	
PRINTED MATTERS					XC9548021	POWER SUPPLY CORD : SAA-LF (STAR230E:AUS, STAR240E:AUS, STAR230EQC)	
18	194277011	OPERATION MANUAL (French, Dutch) (PS2250, PS53:FRA, PS55:FRA,SWI, PS57:FRA, STAR230E:FRA,SWI, STAR240E:FRA)			XA5820021	MAIN POWER CORD	
	194277012	OPERATION MANUAL (English, Spanish, Italian) (PS53:ITA, SIN, AUS, PS55:U.K., ITA, SWI, SIN, NZL, PS57:U.K., ITA, SIN, AUS, STAR230E:U.K., ITA, SWI, SIN, AUS, STAR240E:U.K., ITA, SIN, AUS, STAR 230EQC)			XC6052021	POWER SUPPLY CORD : UL CSA-LF (PS2470, PS3100)	
	194277213	OPERATION MANUAL (English, German, Russian) (PS53:GER, U.K., RUS, STAR35, PS55:GER, AUS, RUS, RSR55, XRX55, STAR45, STAR50, PS57:GER, RUS, STAR230E:GER, RUS, STAR240E:GER, RUS)					



(7) ATTACHEMENTS

No.	CODE	NAME	REMARKS	No.	CODE	NAME	REMARKS
32	130800021	BAG, 220X310 (PS53:Except KOR, PS55:Except KOR, RSR55, XRX55, STAR45, STAR50, PS57:Except KOR, BOUTIQUE37, STAR230E:Except KOR, STAR230EQC, STAR240E:Except KOREA, PS2360, PS2470, PS3100)		37	X60018020	OVER CASE POLYSTYRENE L (PS53:AUS, RSR55, XRX55, PS55:NZL, STAR50, PS57:AUS, BOUTIQUE37, STAR230E:Except KOR, STAR230EQC, STAR240E:Except KOR, PS2360, PS2470, PS3100)	
PACKING MATERIALS					X60018021	OVER CASE POLYSTYRENE L (PS53:KOR, PS55:KOR, CAMPUS200, PS57:KOR, STAR230E:KOR, STAR240E:KOR)	
33	X61650021	CARTON (PS2250)		38	X60019020	OVER CASE POLYSTYRENE R (PS53:AUS, RSR55, XRX55, PS55:NZL, STAR50, PS57:AUS, BOUTIQUE37, STAR230E:Except KOR, STAR230EQC, STAR240E:Except KOR, PS2360, PS2470, PS3100)	
	X61650022	CARTON (PS53:OTHER)			X60019021	OVER CASE POLYSTYRENE R (PS53:KOR, PS55:KOR, CAMPUS200, PS57:KOR, STAR230E:KOR, STAR240E:KOR)	
	X61650042	CARTON (STAR35)		39	X60726020	FOOT CONTROLLER BOX	
	X61701025	CARTON (PS53:KOREA)		40	264030021	BAG,165X250 (PS53:KOR, AUS, PS55:KOR, NZL, PS57:KOR, AUS, CAMPUS200, STAR230E:KOR, AUS, STAR230EQC, STAR240E:KOR, AUS, PS2470, PS3100)	
	X61701026	CARTON (PS53:AUSTRALIA)		41	160670021	BAG,150X350 (PS53:KOR, AUS, PS55:KOR, NZL, PS57:KOR, AUS, CAMPUS200, STAR230E:KOR, AUS, STAR230EQC, STAR240E:KOR, AUS, PS2470, PS3100)	
	X61650024	CARTON (PS55:OTHER)		42	XC6899021	LABEL OF CARTON (STAR230EQC)	
	X61649028	CARTON (RSR55)					
	X61649029	CARTON (XRX55)					
	X61650043	CARTON (STAR45)					
	X61701025	CARTON (PS55:KOREA)					
	X61649030	CARTON (CAMPUS200)					
	X61701027	CARTON (PS55:NEW ZEALAND)					
	X61649026	CARTON (STAR50)					
	X61650023	CARTON (PS57:OTHER)					
	X61649031	CARTON (BOUTIQUE37)					
	X61701025	CARTON (PS57:KOREA)					
	X61701028	CARTON (PS57:AUSTRALIA)					
	X61649024	CARTON (STAR230E, STAR230EQC)					
	X61649023	CARTON (STAR240E)					
	X61649022	CARTON (PS2360)					
	X61649021	CARTON (PS2470)					
	X61649032	CARTON (PS3100)					
34	X60439121	BAG, 630X630T					
35	X61774021	STYROFOAM ASSY 271 (PS2250, PS53:Except KOR, AUS, STAR35, PS55:OTHER, PS57:OTHER)					
36	X61773021	STYROFOAM ASSY 279 (PS53:AUS, RSR55, XRX55, PS55:NZL, STAR50, BOUTIQUE37, PS57:AUS, STAR230E:OTHER, STAR230EQC, STAR240E:OTHER, PS2360, PS2470, PS3100)					
	X61773022	STYROFOAM ASSY 279 (PS53:KOR, PS55:KOR, PS57:KOR, CAMPUS200, STAR230E:KOR, STAR240E:KOR)					



PS2250, PS2360, PS2470, PS3100,
PS53, PS55, PS57,
RSR55, XRX55,
STAR35, STAR45, STAR50,
STAR230E, STAR230EQC, STAR240E,
CAMPUS200, BOUTIQUE37