

PARTS CATALOGUE FOR COMPUTERIZED SEWING MACHINE

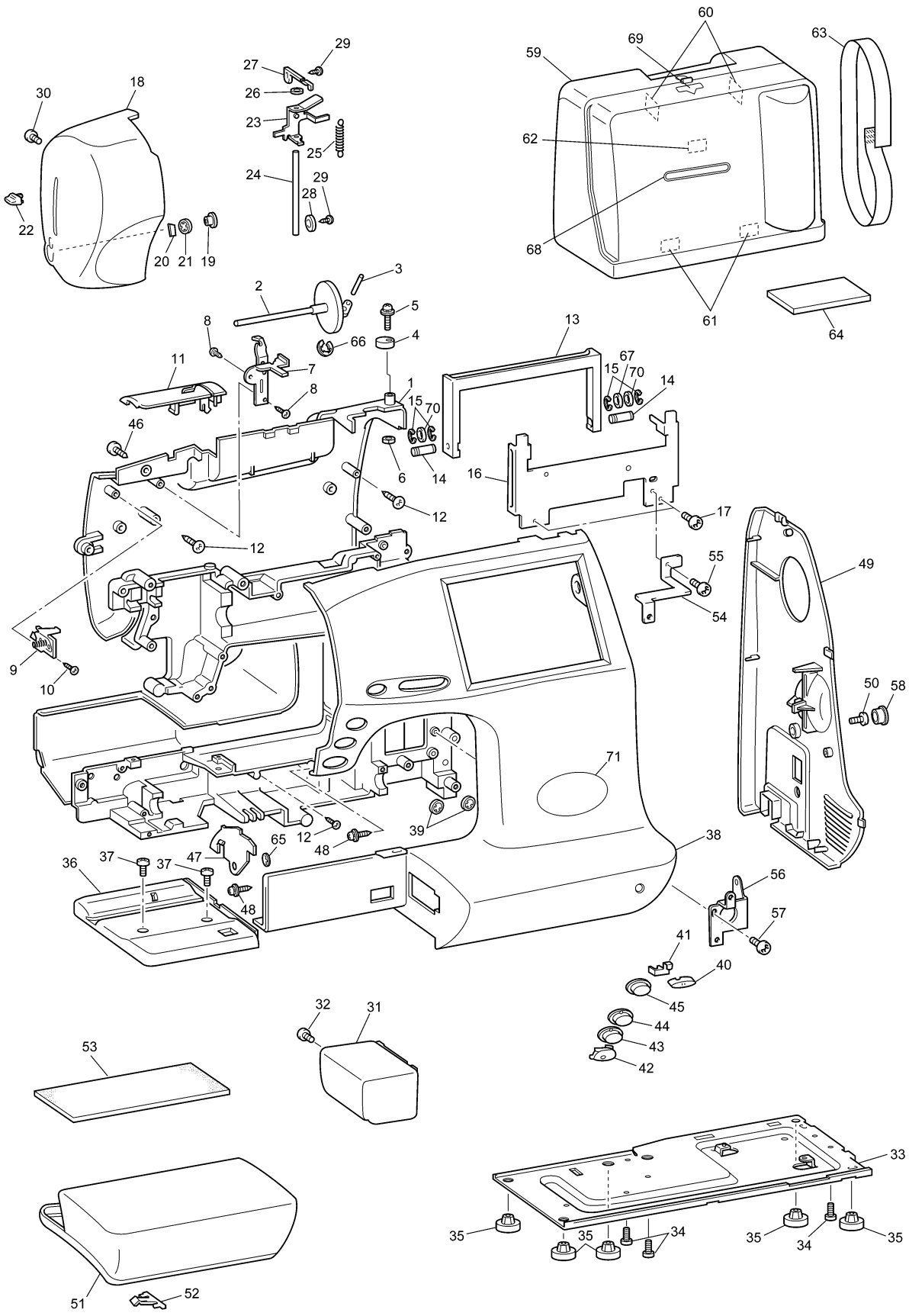
PC-8500
SUPER GALAXIE 2100

CONTENTS

(1) PRINCIPAL PARTS.....	2
(2) UPPER SHAFT AND NEEDLE BAR	4
(3) FEED MECHANISM	8
(4) ROTARY HOOK, THREAD GUIDE AND THREAD CUTTING.....	10
(5) LAMP, MAIN PC BOARD ASSEMBLY AND MOTOR UNIT ..	12
(6) EMBROIDERY UNIT	14
(7) ACCESSORY	16

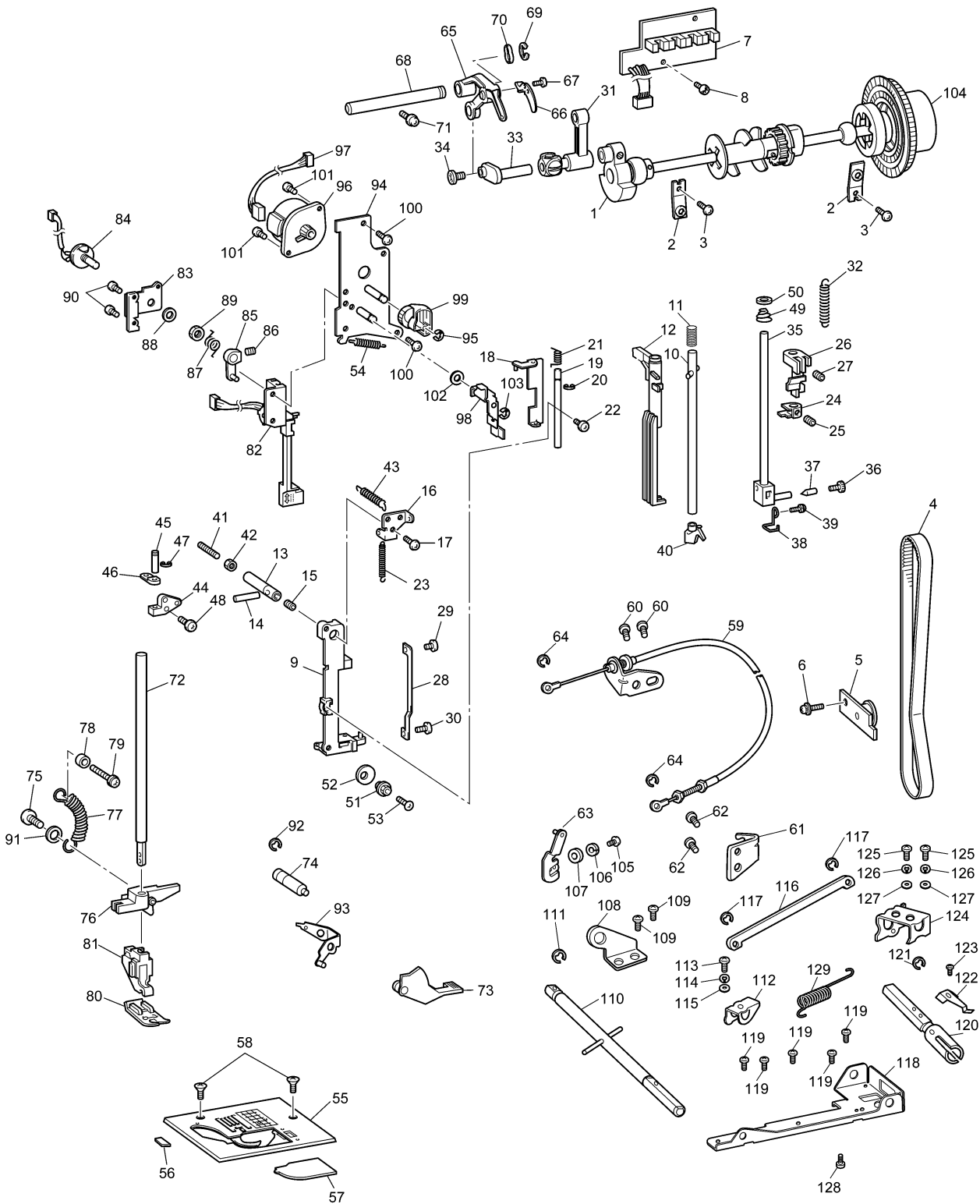
(1) PRINCIPAL PARTS

No.	CODE	NAME	REMARKS	No.	CODE	NAME	REMARKS
1	XA1785203	Rear cover PC-8500		42	XA1810001	SS button S.G.2100, CANADA	
	XA1785204	Rear cover S.G.2100		43	XA1811051	Reverse sewing button	
2	XA1786051	Spool pin		44	XA1812051	NP button	
3	XA3499051	Spool pin shaft		45	XA1813051	Thread cutting button	
4	XA5821001	Bobbin presser		46	087411415	Screw B4 x 14	
5	062301616	Screw 3 x 16		47	XA1814351	Cover	
6	021300106	Nut 3		48	U12017001	Screw 3 x 6	
7	XA5822101	Thread guide holder assembly		49	XA2864202	Belt cover	
8	136681001	Screw B3 x 8		50	060400616	Screw M4 x 6	
9	XA5955101	Thread guide plate assembly		51	XA1816001	Accessory table assembly	
10	136681001	Screw B3 x 8		52	138644051	Accessory table notched spring	
11	XA1794005	Thread guide cover		53	X51434000	Sponge	
12	087411415	Screw B4 x 14		54	XA1819051	Set plate U	
13	XA1795151	Carrying handle		55	060300416	Screw 3 x 4	
14	XA6459001	Carrying handle shaft		56	XA1820050	Set plate D	
15	048040346	Stop ring E4		57	X57908051	Screw S4 x 10	
16	XA1797050	Handle holder		58	X50442001	Screw cover	
17	X57908051	Screw S4 x 10		59	XA1821101	Case assembly	
18	XA1799202	Face plate		60	X56668000	Case felt	
19	X51895051	Fixing face plate		61	129074000	Felt	
20	X80321001	NT thread cutter assembly		62	125440000	Case felt	
21	XA0199001	CS stop ring CSTW-8		63	XA2442001	Embroidery unit band	
22	XA1800101	Needle threader lever knob		64	XA2831000	Foaming sheet	
23	XA1801001	Needle threader lever		65	146200001	Stop ring CS4	
24	X51469001	Needle threader lever shaft		66	048025346	Stop ring 2.5	
25	138260001	Spring		67	XA4718000	Washer 5.5 x 9	
26	129935000	Washer		68	XA2438001	Decoration plate	
27	XA6320000	Shaft presser plate		69	XA3451001	Case mark	
28	513159001	Washer		70	026050135	Washer	
29	138433001	Screw B3 x 6		71	XA6654001	Decoration plate PC-8500	
30	060401616	Screw 4 x 16			XA6654002	Decoration plate S.G.2100	
31	XA1803151	Free arm cover					
32	0A6400806	Screw 4 x 8F					
33	XA6188151	Base plate					
34	X57908051	Screw S4 x 10					
35	XA1805050	Rubber cushion A					
36	XA1806051	Base cover					
37	060400616	Screw M4 x 6					
38	XA6727002	Front cover PC-8500					
	XA6727003	Front cover S.G.2100					
39	123518001	Stop ring CS					
40	XA1808051	S key top					
41	XA1809050	SV connecting block					
42	XA3247001	SS button PC-8500					



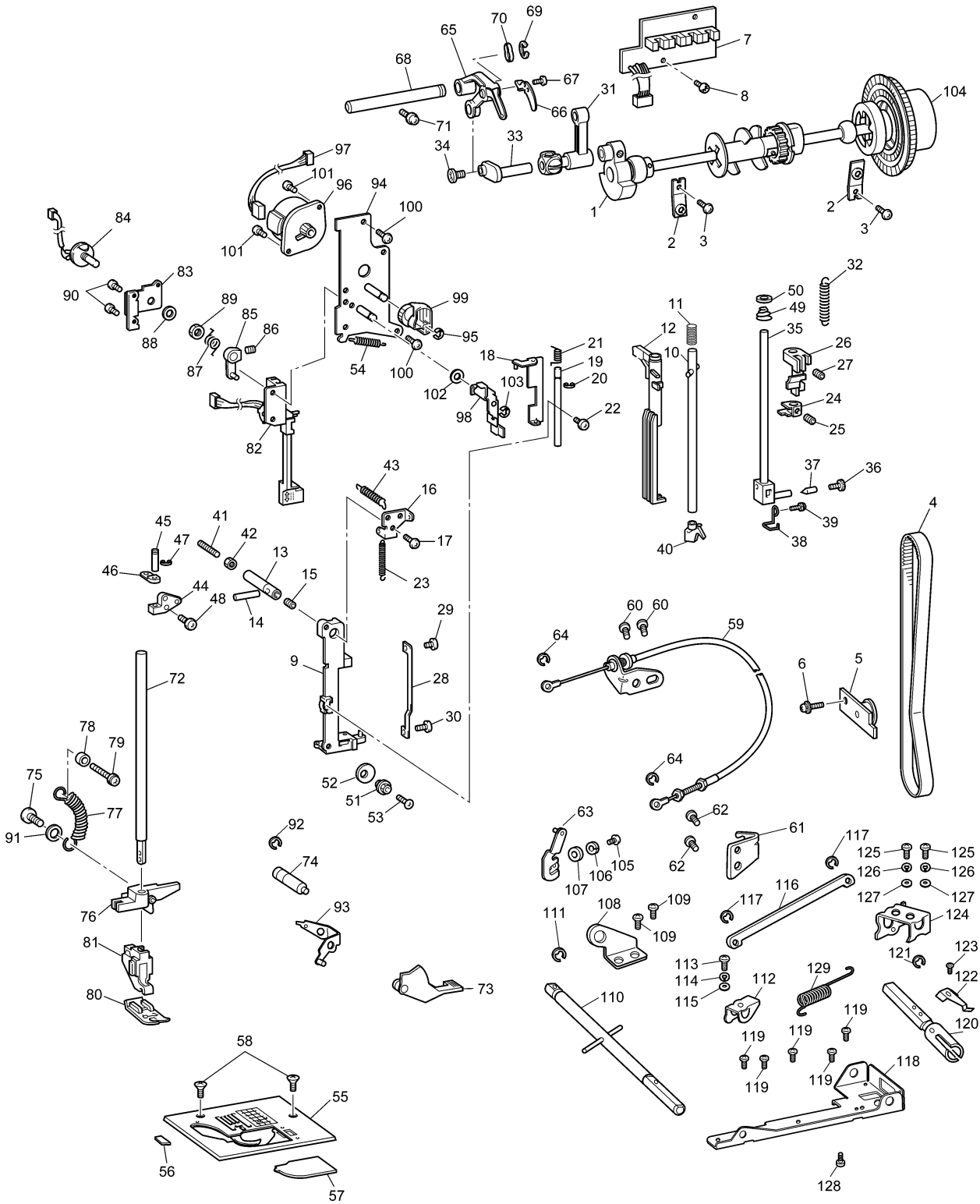
(2) UPPER SHAFT AND NEEDLE BAR

No.	CODE	NAME	REMARKS	No.	CODE	NAME	REMARKS
1	XA1824001	Upper shaft assembly		45	XA1859051	Needle bar supporter stud	
2	X52478001	Presser plate A		46	X56464001	Needle bar supporter arm	
3	X57908051	Screw S4 x 10		47	048025346	Stop ring E2.5	
4	X53125001	Timing belt 176 x L031		48	XA0649051	Screw S4 x 14	
5	XA1830051	Tension pulley assembly		49	X57822101	Spring	
6	138172001	Screw 4 x 10DA		50	X58511100	Washer	
7	XA1832001	NP board assembly		51	X50559050	Nut	
8	533777001	Screw 4 x 8DB		52	XA1860150	Washer	
9	XA2198051	Needle bar supporter assembly		53	062301006	Screw 3 x 10	
10	XA1839051	Needle threader shaft assembly		54	XA1861051	Spring	
11	129839001	Spring		55	XA2115001	Needle plate	
12	XA1841001	Needle threader slider		56	X80321001	Lower thread cutter	
13	XA1842051	Needle bar supporter stud A		57	X56828151	Needle plate cover	
14	X56551000	Needle bar supporter stud C		58	X50487001	Screw M4	
15	014400432	Screw 4 x 4		59	X81160001	Wire assembly	
16	XA1843150	Set plate		60	060400816	Screw 4 x 8	
17	060300616	Screw 3 x 6		61	XA6199001	Wire guide plate D	
18	XA1844051	Needle release lever assembly		62	060400816	Screw 4 x 8	
19	XA1847051	Needle release lever shaft		63	XA6200001	Wire link assembly	
20	048025346	Stop ring E2.5		64	048030346	Stop ring E3	
21	XA1848051	Spring		65	XA1862051	Thread take-up lever assembly	
22	0A2300806	Screw 3 x 8B		66	XA1864050	Thread take-up lever plate	
23	X57758051	Spring		67	008020306	Screw 2 x 3	
24	X55983150	Needle threader position setter		68	XA1865051	Thread take-up lever stud	
25	012400432	Screw 4 x 4		69	048050346	Stop ring E5	
26	X55984101	Needle bar block assembly		70	XA1866001	Washer	
27	012400432	Screw 4 x 4		71	XA0649051	Screw S4 x 14	
28	X55990001	Needle bar guide		72	XA5854001	Presser bar	
29	060300416	Screw 3 x 4		73	XA1868051	Presser foot lifter	
30	061300516	Screw M3 x 5		74	XA6190001	Stud for presser foot lifter	
31	X55991051	Needle bar crank rod assembly		75	X52760051	Screw 6 x 12	
32	X58237001	Spring		76	XA1870051	Presser bar clamp assembly	
33	XA2389051	Needle bar crank		77	137736051	Spring	
34	132051001	Screw 3.57L		78	XA6935001	Spacer	
35	XA1849101	Needle bar assembly		79	XA0649051	Screw S4 x 14	
36	XZ0002051	Needle clamp screw		80	137748101	Zigzag presser foot	
37	XA6035001	Needle clamp pin		81	XA5855001	Presser holder assembly	
38	XA1851000	Needle bar thread guide		82	XA6899001	BH switch plate assembly	
39	008020306	Screw 2 x 3		83	XA2222001	PT holder	
40	XA1854001	Threader hook assembly		84	X58035001	Cloth selecting sensor	
41	014401632	Screw M4 x 16		85	XA6493001	PT lever	
42	X56851051	Nut		86	012300632	Screw M3 x 6	
43	XA1856051	Spring		87	XA1894051	Spring	
44	XA1857051	Needle bar supporter stud holder		88	026060235	Washer M6	



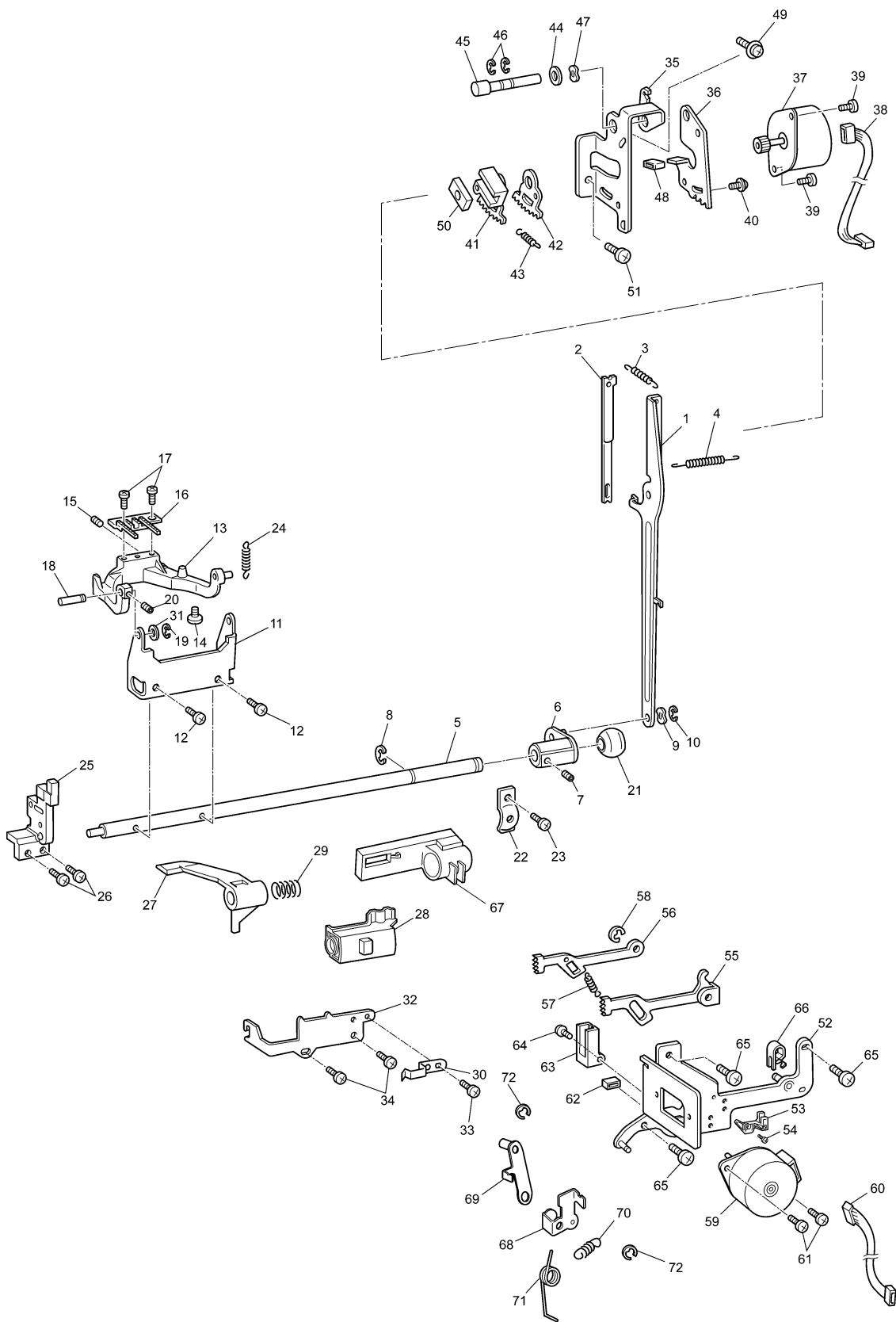
(2) UPPER SHAFT AND NEEDLE BAR

No.	CODE	NAME	REMARKS
89	X52569001	Nut #1	
90	060300816	Screw M3 x 8	
91	U82249001	Washer	
92	048050346	Stop ring E5	
93	XA6191001	Lifter assembly	
94	XA1989151	ZPM holder assembly	
95	048030346	Stop ring E3	
96	Z26291001	BP483523LM26ZPM	
97	XA2050001	ZPM lead wire assembly	
98	XA2866101	Zigzag lever	
99	XA1995000	Zigzag cam	
100	X57908051	Screw S4 x 10	
101	060300416	Screw 3 x 4	
102	X53027000	Washer	
103	048030346	Stop ring E3	
104	X59879051	Balance wheel	
105	XA6252001	Screw 4 x 10	
106	028040242	Washer	
107	026040236	Washer	
108	XA6202001	Left shaft holder B	
109	060400616	Screw 4 x 6	
110	XA6203101	Shaft L assembly	
111	048060346	Stop ring E6	
112	XA6205001	Shaft link assembly	
113	XA6252001	Screw 4 x 10	
114	028040242	Washer	
115	026040236	Washer	
116	XA6210001	Shaft link connecting rod	
117	048020346	Stop ring E2	
118	XA6213001	Right shaft holder	
119	060400616	Screw 4 x 6	
120	XA6214101	Shaft R	
121	048060346	Stop ring E6	
122	XA6215101	Spring plate	
123	060260316	Screw 2.6 x 3	
124	XA6249101	Shaft stopper assembly	
125	XA6252001	Screw 4 x 10	
126	028040242	Washer	
127	026040236	Washer	
128	018300531	Screw 3 x 5	
129	XA6253101	Spring	



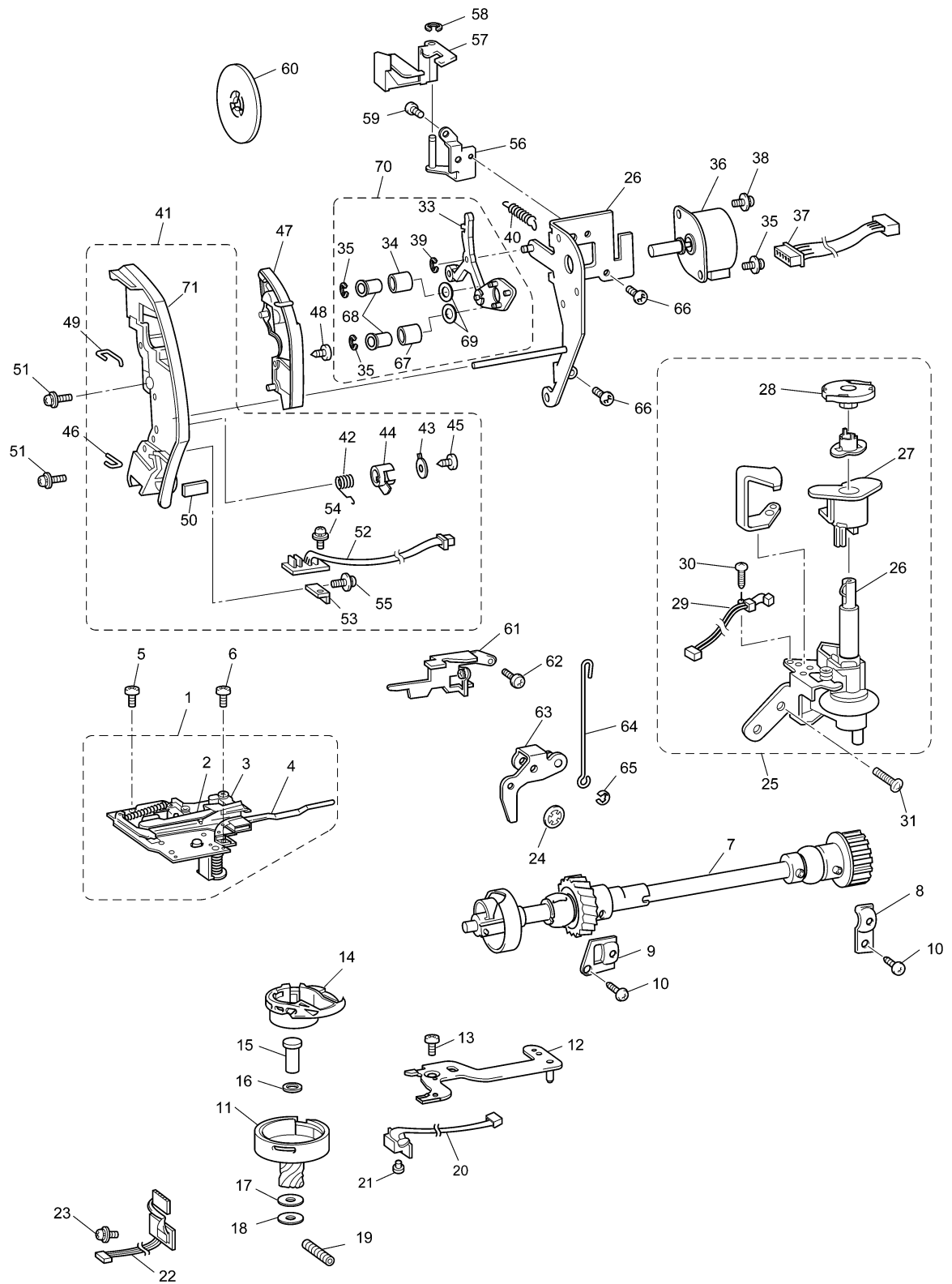
(3) FEED MECHANISM

No.	CODE	NAME	REMARKS	No.	CODE	NAME	REMARKS
1	XA1895051	Feed rod assembly		45	XA1924050	Feed adjusting shaft	
2	XA2185050	Feed rod supporting plate		46	048050346	Stop ring E5	
3	XA1898001	Spring F		47	X59915051	Washer	
4	XA1899001	Spring S		48	XA2189050	Rubber	
5	XA1901250	Horizontal feed shaft		49	XA0649051	Screw S4 x 14	
6	XA1902051	Horizontal feed arm assembly		50	XA1927051	Feed regulator slide block	
7	014500532	Screw 5 x 5		51	X57908051	Screw S4 x 10	
8	048060346	Stop ring E6		52	XA6674051	SPM holder assembly	
9	X59915051	Washer		53	XA5897050	PC board supporting plate	
10	048050346	Stop ring E5		54	060300616	Screw 3 x 6	
11	XA1905051	Horizontal feed plate		55	XA1932051	Side feed plate	
12	060400816	Screw 4 x 8		56	XA1933051	Side feed supporting plate	
13	XA1907151	Feed bar		57	XA2972001	Spring	
14	X59916050	Screw		58	048040346	Stop ring E4	
15	012400432	Screw 4 x 4		59	Z26306001	BP483523LM29SPM	
16	XA1909001	Feed dog		60	XA2047001	SPM lead wire assembly	
17	060300616	Screw 3 x 6		61	060300416	Screw 3 x 4	
18	XA1910051	Feed bar shaft		62	XA2189050	Rubber	
19	048025346	Stop ring E2.5		63	XA2192050	Side feed spacer	
20	014400432	Screw 4 x 4		64	052300606	Screw 3 x 6	
21	132420000	Horizontal feed shaft bushing		65	X57908051	Screw S4 x 10	
22	132421001	Bushing presser		66	XA1935051	Spring	
23	X57908051	Screw S4 x 10		67	XA6216000	Drop connecting	
24	XA1911051	Spring		68	XA6694101	Drop link A assembly	
25	XA5857050	Horizontal-feed shaft supporter		69	XA6218001	Drop link B assembly	
26	052401406	Screw 4 x 14		70	XA6222001	Spring	
27	XA1913051	Drop plate		71	XA6223001	Spring	
28	XA5858051	Drop knob		72	048030346	Stop ring E3	
29	XA2199051	Spring					
30	XA5859050	Spring					
31	137977000	Washer					
32	XA5860051	Drop guide plate					
33	060300516	Screw 3 x 5					
34	X57190805	Screw S4 x 10					
35	XA1916050	FPM holder A					
36	XA1917050	FPM holder B					
37	Z26303001	BP483523LM28FPM					
38	XA2046001	FPM lead wire assembly					
39	060300416	Screw 3 x 4					
40	0A4400806	Screw 4 x 8DA					
41	XA1920151	Feed adjusting assembly					
42	XA1922151	F gear					
43	XA2972001	Spring					
44	X53330050	Washer					



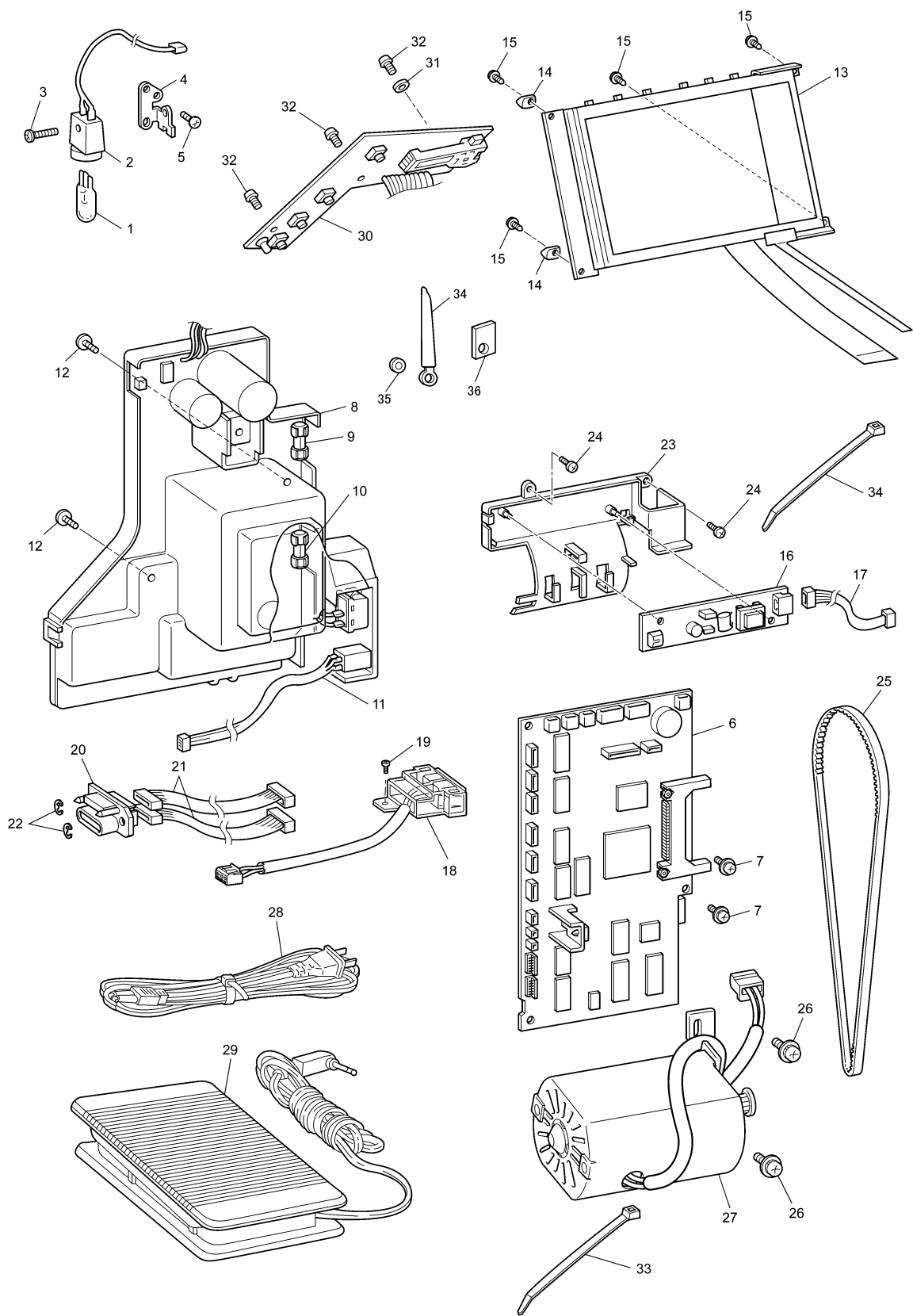
(4) ROTARY HOOK, THREAD GUIDE AND THREAD CUTTING

No.	CODE	NAME	REMARKS	No.	CODE	NAME	REMARKS
1	XA5861151	Thread cutting assembly		45	136681001	Screw B3 x 8	
2	XA2848151	Movable blade assembly		46	XA2025050	Thread guard wire	
3	X56133001	Fixed blade		47	XA2953051	Thread guard	
4	XA5865051	Lower-thread guide arm assembly		48	085311415	Screw B3 x 14	
5	060400816	Screw 4 x 8		49	XA2223050	Thread guard wire	
6	060300516	Screw 3 x 5		50	XA2867000	Rubber	
7	XA1968101	Lower shaft assembly		51	052300606	Screw 3 x 6	
8	132421001	Bushing presser R		52	XA2027001	Sensor board assembly	
9	XA1975051	Bushing presser L		53	XA2031051	Sensor board holder	
10	X57908051	Screw S4 x 10		54	052300606	Screw 3 x 6	
11	XA2855101	Outer rotary hook assembly		55	136681001	Screw B3 x 8	
12	XA5869001	Inner rotary hook bracket assembly		56	XA2032051	Thread guard holder	
13	060400816	Screw 4 x 8		57	XA2035050	Thread guard	
14	X57177301	Inner rotary hook assembly		58	048030346	Stop ring E3	
15	XA0360001	Outer rotary hook shaft		59	060300616	Screw 3 x 6	
16	XA2190000	Washer U		60	X55260002	Spool presser C	
17	XA0361000	Washer		61	XA2935051	Thread guide plate	
18	XA0362001	Washer		62	060300616	Screw 3 x 6	
19	014401632	Screw M4 x 16		63	XA6226101	Tension releaser assembly	
20	XA1980001	Photo diode assembly		64	XA2197051	Tension release wire	
21	060020416	Screw M2 x 4		65	048030346	Stop ring E3	
22	XA1984101	Photo transistor assembly		66	X57908051	Screw S4 x 10	
23	052300606	Screw 3 x 6		67	XA5533000	AT roller	
24	120454001	Stop ring CS4		68	XA5534000	AT roller wheel	
25	XA5872001	Bobbin winder assembly		69	137999000	Washer	
26	XA5873001	Bobbin winder shaft assembly		70	X81101001	Roller supporting arm supply assembly	
27	XA2853101	Thread winder cover		71	XA2021002	Thread guide cover	
28	XA5876001	Bobbin base assembly					
29	XA2003001	Bobbin winder switch assembly					
30	062260516	Screw 2.6 x 5					
31	X57908051	Screw S4 x 10					
32	XA2006151	Thread guard plate assembly					
33	XA3066051	Roller supporting arm assembly					
34	XA5532000	Metallic AT roller					
35	048025346	Stop ring E2.5					
36	Z26300001	BP483523LM27ATP					
37	XA2053001	ATPM lead wire assembly					
38	060300816	Screw M3 x 8					
39	048030346	Stop ring E3					
40	XA2019051	Spring					
41	XA2020001	Thread guard cover assembly					
42	XA2022001	Spring					
43	XA2023051	Washer					
44	XA2024050	Thread cutting shutter					



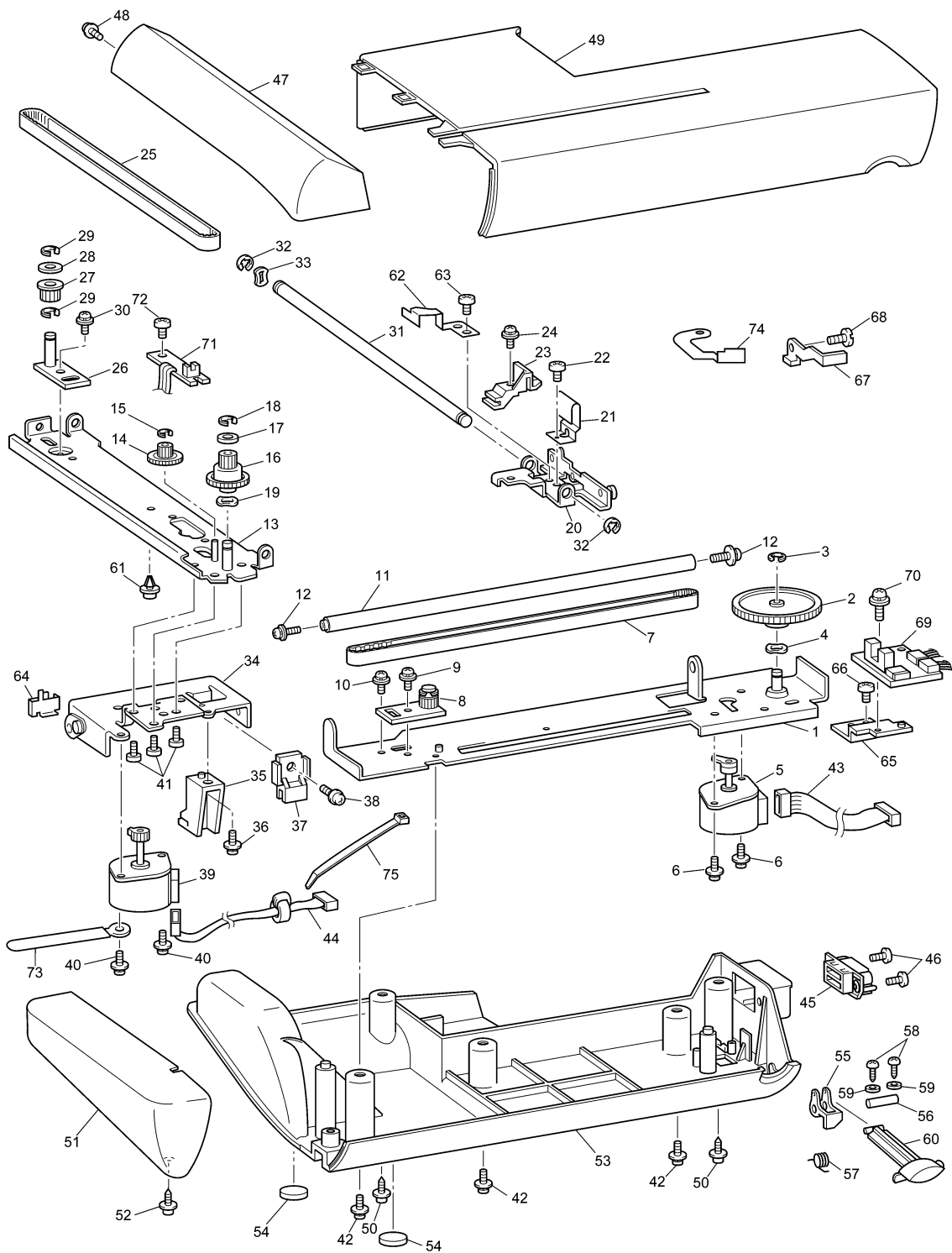
(5) LAMP, MAIN PC BOARD ASSEMBLY AND MOTOR UNIT

No.	CODE	NAME	REMARKS	No.	CODE	NAME	REMARKS
1	XA2037001	WB sew-light bulb		21	XA2096001	Lead wire assembly for 120V	
2	XA6905001	WBL socket assembly			XA3244001	Lead wire assembly for 230V	
3	002261205	Screw 2.6 x 12		22	048025346	Stop ring E2.5	
4	XA5879051	Lamp holder		23	XA2225150	Inverter cover	
5	060300416	Screw 3 x 4		24	060300616	Screw 3 x 6	
6	X81150001	Main PC board assembly for U.S.A. and CANADA		25	XA1826001	Timing belt B173 XXL6.4	
	X81151001	Main PC board assembly for IRELAND, GERMANY, BELGIUM, U.K, FRANCE, NORWAY, NETHERLAMDS, AUSTRIA, GREECE, SWEDEN, SPAIN, PORTUGAL, ITARY, FINLAND, SWITZERLAND, DENMARK, GIBRALTAR, ICELAND, MALTA, MONACO, AUSTRALIA, NEW ZEALAND and SOUTH AFRICA		26	X55609001	Bolt (S/P Washer) M5 x 12	
	X81169001	Main PC board assembly for KOREA		27	XA3332151	MM-512-21 motor unit for 120V	
	X81152001	Main PC board assembly for other countries			XA3356151	MM-512-51 motor unit for 230V	
					XA6326151	MM-512-53 motor for KOREA	
7	052300606	Screw 3 x 6		28	XA2815051	Power supply cord for UL, CSA	
					XA0070051	Power supply cord for Europe	
					X59328051	Power supply cord for SAA	
					X57079001	Power supply cord for U.K	
					XA1291051	Power supply cord for KOREA	
				XA5820051	Power supply cord for CHINA		
				29	234522001	FC-301-81 controller	
8	X80938101	Power supply unit assembly for 120V		30	XA2084001	SSVR board assembly	
	X80939101	Power supply unit assembly for 230V		31	X57005000	Washer 3	
	X81070101	Power supply unit assembly for TAIWAN		32	136681001	Screw B3 x 8	
9	U32809001	Fuse ULTSC 3.15A for 120V		33	124240001	Band	
	X56549001	G fuse 5AB for 230V		34	T31049001	Clip	
10	X55397001	G fuse 3.15AA for 120V		35	026040236	Washer 4	
	XA0069001	G fuse 2AT-S for 230V		36	X50532001	Presser plate	
11	X81043001	Pin jack assembly for 120V					
	X81046001	Pin jack assembly for 230V					
12	0A5402505	Screw 4 x 25DB					
13	XA5882005	LCD unit assembly for PC-8500					
	XA5882006	LCD unit assembly for S.G.2100, CANADA					
14	XA2220050	Board presser					
15	U06923002	Screw B3 x 10					
16	XA2094001	Inverter					
17	XA2097001	Lead wire assembly					
18	XA3220101	Inlet assembly for 120V					
	XA3229101	Inlet assembly for 230V					
	XA4326101	Inlet assembly for TAIWAN					
19	060400616	Screw M4 x 6					
20	X56302001	Connector 176496					



(6) EMBROIDERY UNIT

No.	CODE	NAME	REMARKS	No.	CODE	NAME	REMARKS
1	XA2119101	Main frame assembly		45	X56302001	Connector 176496	
2	XA2122050	X driving gear pulley		46	037421616	Screw 4 x 16	
3	048040346	Stop ring E4		47	XA2150003	X carriage cover	
4	X53838001	Washer		48	052400806	Screw 4 x 8	
5	Z26309001	BP483523LM30XPM		49	XA2151001	ES main cover	
6	052300606	Screw 3 x 6		50	087411415	Screw B4 x 14	
7	XA2123001	Timing belt 60S2M494		51	XA2153101	ES side cover	
8	XA2124051	X tension pulley assembly		52	087411415	Screw B4 x 14	
9	052300606	Screw 3 x 6		53	XA2154101	ES base cover	
10	052400806	Screw 4 x 8		54	130157001	Rubber cushion	
11	XA2128001	X guide shaft		55	XA2155050	Lock lever	
12	052400806	Screw 4 x 8		56	XA0814001	Shaft	
13	XA2129101	X carriage assembly		57	XA2157051	Spring	
14	XA2133050	Gear		58	U06923002	Screw B3 x 10	
15	048020346	Stop ring E2		59	025030336	Washer L3	
16	XA2134050	Y driving gear pulley		60	XA2158051	Lock release button	
17	025060235	Washer M6		61	XA2863001	ES spacer	
18	048040346	Stop ring E4		62	XA4456001	Y shutter	
19	X53838001	Washer		63	060300416	Screw 3 x 4	
20	XA4454001	Y carriage assembly		64	XA4457000	Cord guide	
21	XA4496100	Notched spring		65	XA4458001	X sensor PC board holder	
22	060300416	Screw 3 x 4		66	060300416	Screw 3 x 4	
23	XA4710100	Y slider		67	XA4459001	X shutter	
24	052300606	Screw 3 x 6		68	060400616	Screw M4 x 6	
25	XA2123001	Timing belt 60S2M494		69	XA4447001	X sensor PC board assembly	
26	XA2137051	Y tension pulley assembly		70	052300606	Screw 3 x 6	
27	XA2127050	Tension pulley		71	XA4451001	Y sensor PC board assembly	
28	025060235	Washer M6		72	060020416	Screw 2 x 4	
29	048040346	Stop ring E4		73	137947001	Clip	
30	052300606	Screw 3 x 6		74	XA4596001	Oil guard plate	
31	XA2139051	Y guide shaft		75	124240001	Band #2	
32	048040346	Stop ring E4					
33	103810002	Washer					
34	XA2140101	X carriage supporter assembly					
35	XA2143150	X slider					
36	052400806	Screw 4 x 8					
37	XA2144250	X belt presser					
38	052400806	Screw 4 x 8					
39	Z26312001	BP4853523LM31YPM					
40	575039003	Screw 3 x 5DA					
41	060400616	Screw M4 x 6					
42	052300606	Screw 3 x 6					
43	XA4449001	XPM lead wire assembly					
44	XA4460001	YPM lead wire assembly					



(7) ACCESSORY

No.	CODE	NAME	REMARKS	No.	CODE	NAME	REMARKS
1	XA5891001	Embroidery foot assembly		37	191995012	Instruction manual (Spanish)	
2	X51162001	Overcasting stitch-foot			191995013	Instruction manual (German)	
3	X59370051	Zipper foot			191995014	Instruction manual (Dutch)	
4	X56409001	Blind stitch foot			191995015	Instruction manual (French)	
5	X57789101	Button hole foot			191995016	Instruction manual (Italian)	
6	X53840301	Monogramming foot		38	X61023000	Carton	
7	XA3811051	Bobbin for PC-8500		39	X60944001	Pad assembly	
	XA3812051	Bobbin for S.G.2100		40	X60945001	Pad assembly	
8	X54243001	Seam ripper		41	X61153001	986SF assembly for U.S.A., CANADA	
9	130489001	Button fitting foot		42	X61184100	SF	
10	X58358001	Z needle set		43	X61010000	Pad D	
11	184783001	Scissors		44	X60925000	Embroidery pad	
12	184944001	Chalk pen		45	X61014000	Accessory carton	
13	XA4527001	Cleaning brush		46	X61261001	Master carton for PC-8500	
14	135793001	Eyelet punch			X61262001	Master carton for Europe	
15	XA2005051	Needle plate fixing metal			X61262002	Master carton for Europe (recycled mark)	
16	X55467051	Screw driver M			X61263001	Master carton for N.L.	
17	X55468051	Screw driver S		47	X60439100	Bag 630 x 630	
18	130012003	Spool cap A		48	X60679000	Bag 450 x 400	
19	130013003	Spool cap B		49	X81124001	Embroidery frame LL for S.G.2100	
20	XA3336051	Spool pin			X81124002	Embroidery frame LL for PC-8500	
21	X59296001	Twin needle set					
22	127610000	Net					
23	X57045001	Felt					
24	XA1363051	Accessory bag					
25	XA4595001	Pattern sheet					
26	X80902002	Embroidery frame L for S.G.2100					
	X80902003	Embroidery frame L for PC-8500					
27	X80903002	Embroidery frame M for S.G.2100					
	X80903003	Embroidery frame M for PC-8500					
28	X80904102	Embroidery frame S for S.G.2100					
	X80904103	Embroidery frame S for PC-8500					
29	X80943001	Side cutter					
30	X81064001	Walking foot					
31	XA4813051	Screw 3.57					
32	XA5904001	Screw 3.57					
33	X80948001	Grid sheet set for S.G.2100					
	X80948002	Grid sheet set for PC-8500					
34	XA6941001	Knee lifter lever assembly					
35	XA6126001	Presser adaptor PC-8500					
	XA6126002	Presser adaptor S.G.2100					
36	X81175001	Backing material for S.G.2100					
	X81175002	Backing material for PC-8500					
37	191995011	Instruction manual (English)					

PC-8500
S.G.2100
H8100135