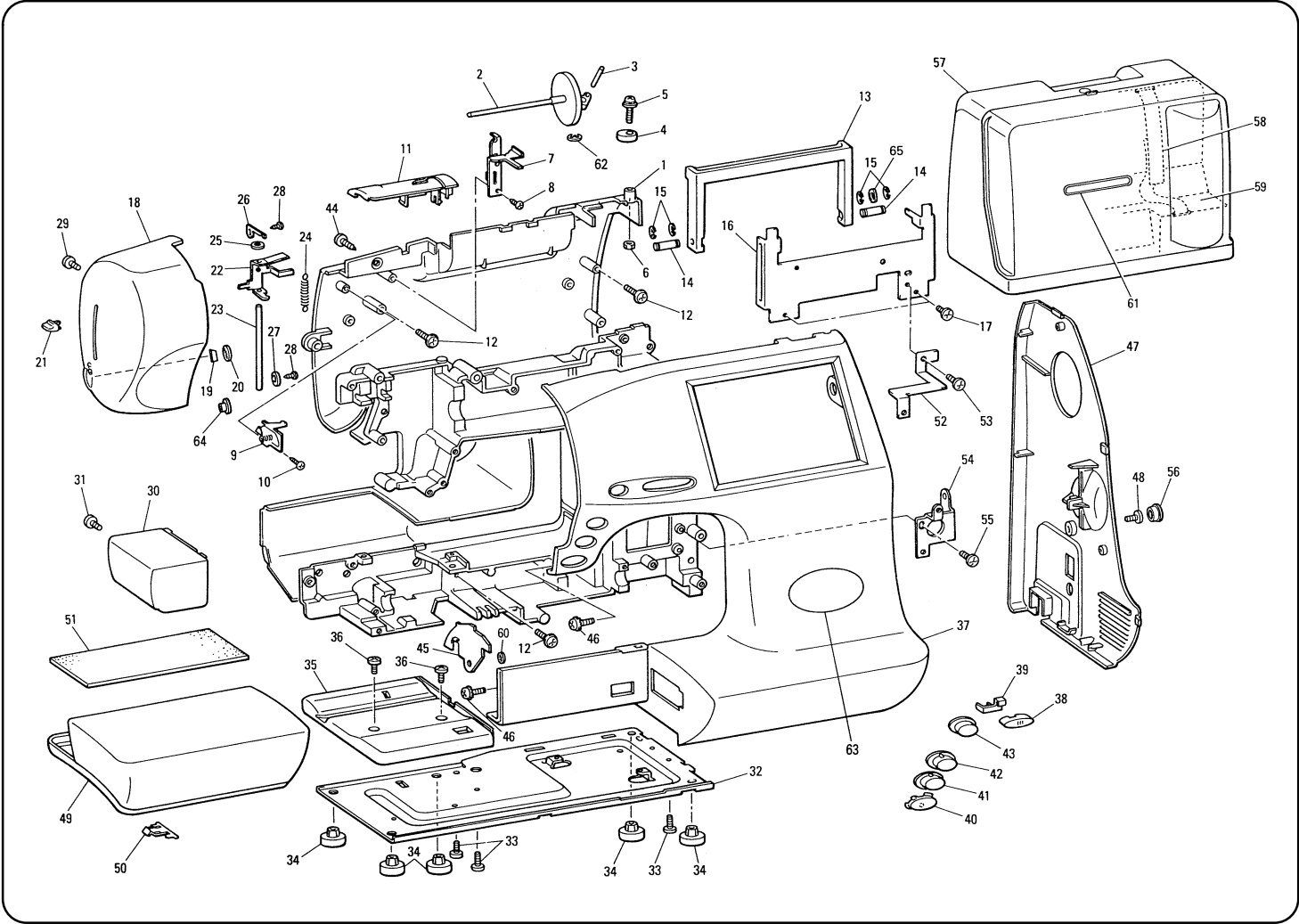


PARTS CATALOGUE FOR
COMPUTERIZED
SEWING MACHINE

PC-8200
SUPER GALAXIE 2000

CONTENTS

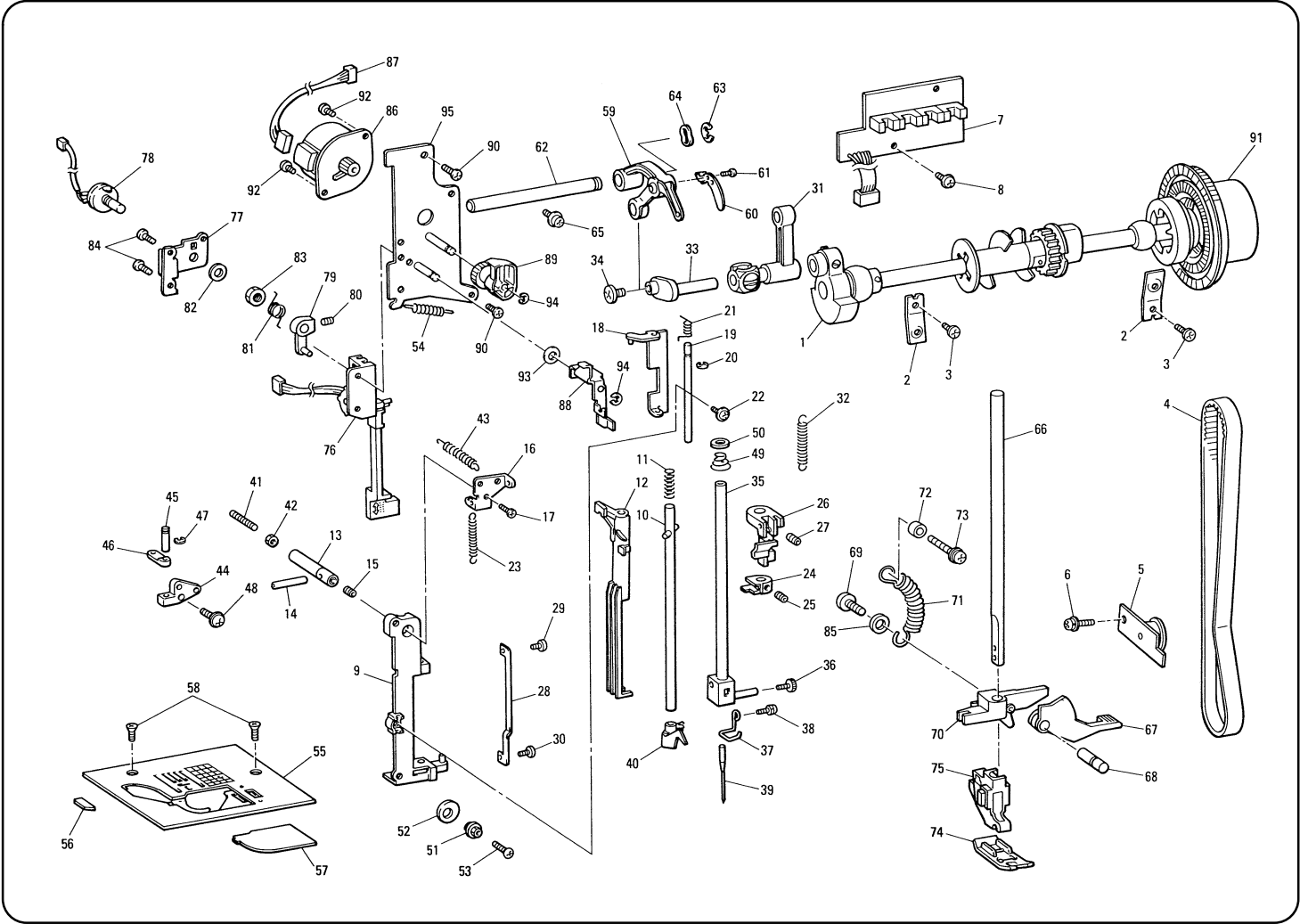
(1) PRINCIPAL PARTS <B985>	2- 3
(2) UPPER SHAFT AND NEEDLE BAR	4- 7
(3) FEED MECHANISM	8- 9
(4) ROTARY HOOK, THREAD GUIDE AND THREAD CUTTING <B985>	10-11
(5) LAMP, MAIN PC BOARD ASSEMBLY AND MOTOR UNIT <B985>	12-13
(6) ACCESSORY <B985>	14-15
(7) EMBROIDERY UNIT <B985>	16-17

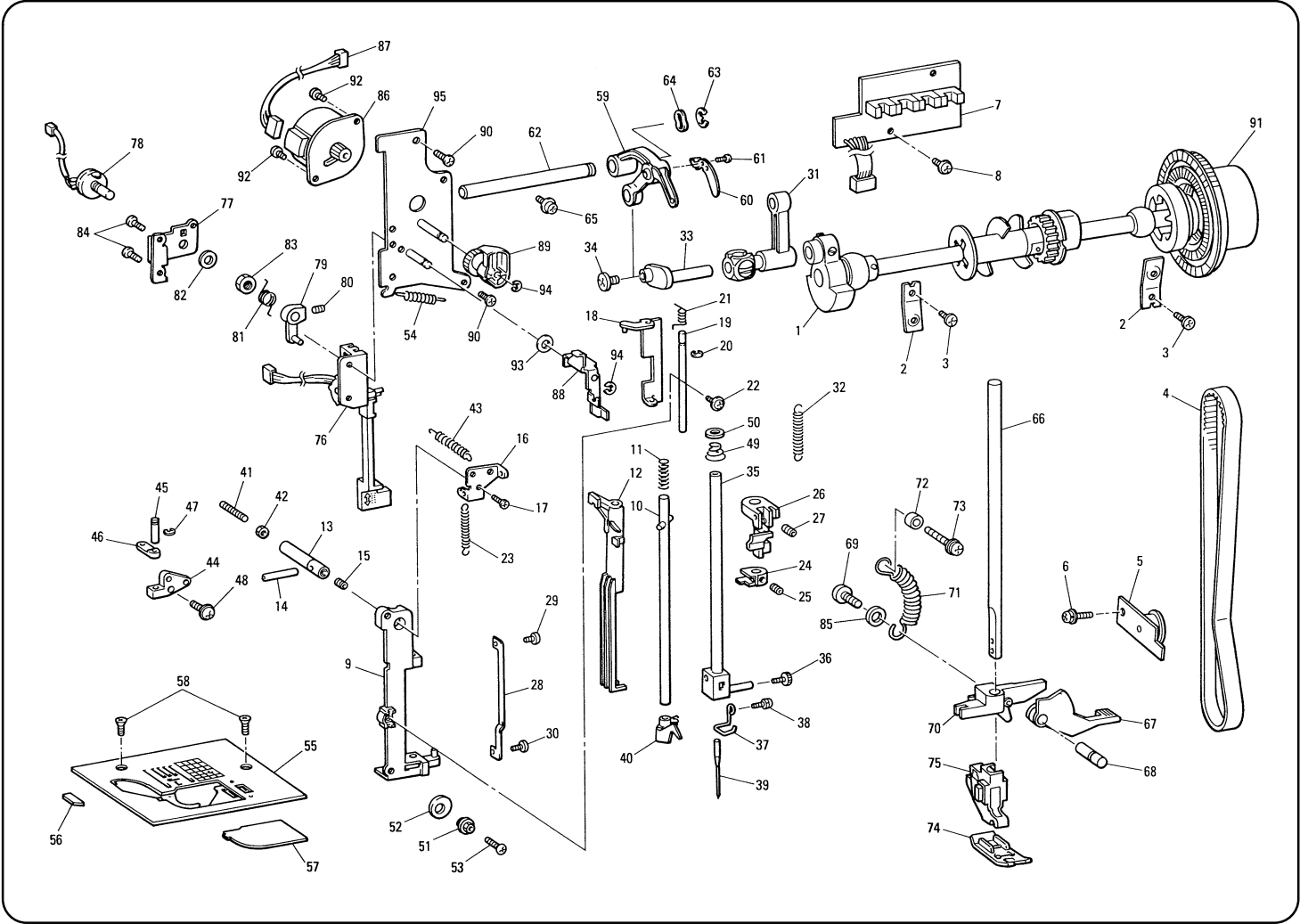


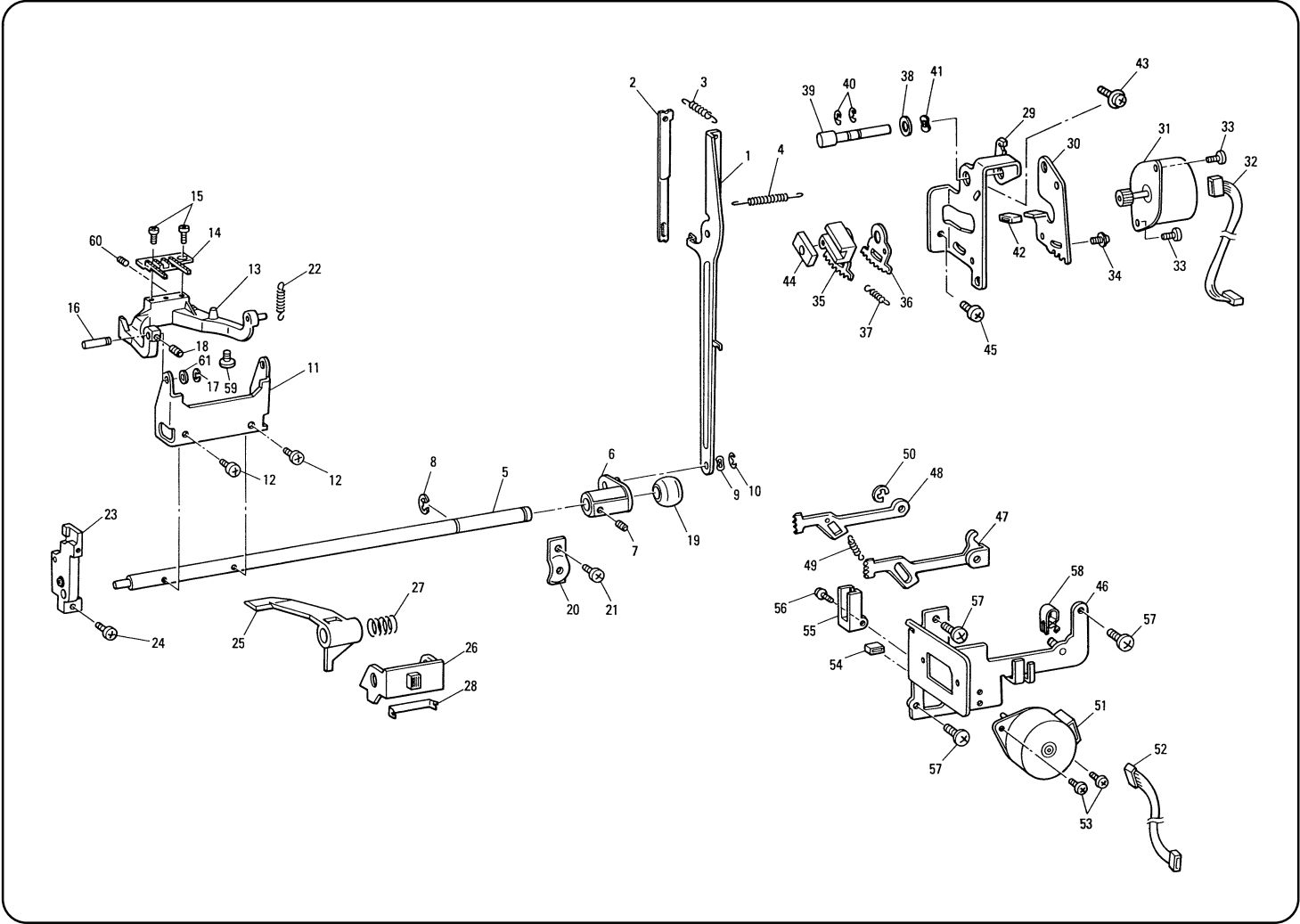
(2) UPPER SHAFT AND NEEDLE BAR

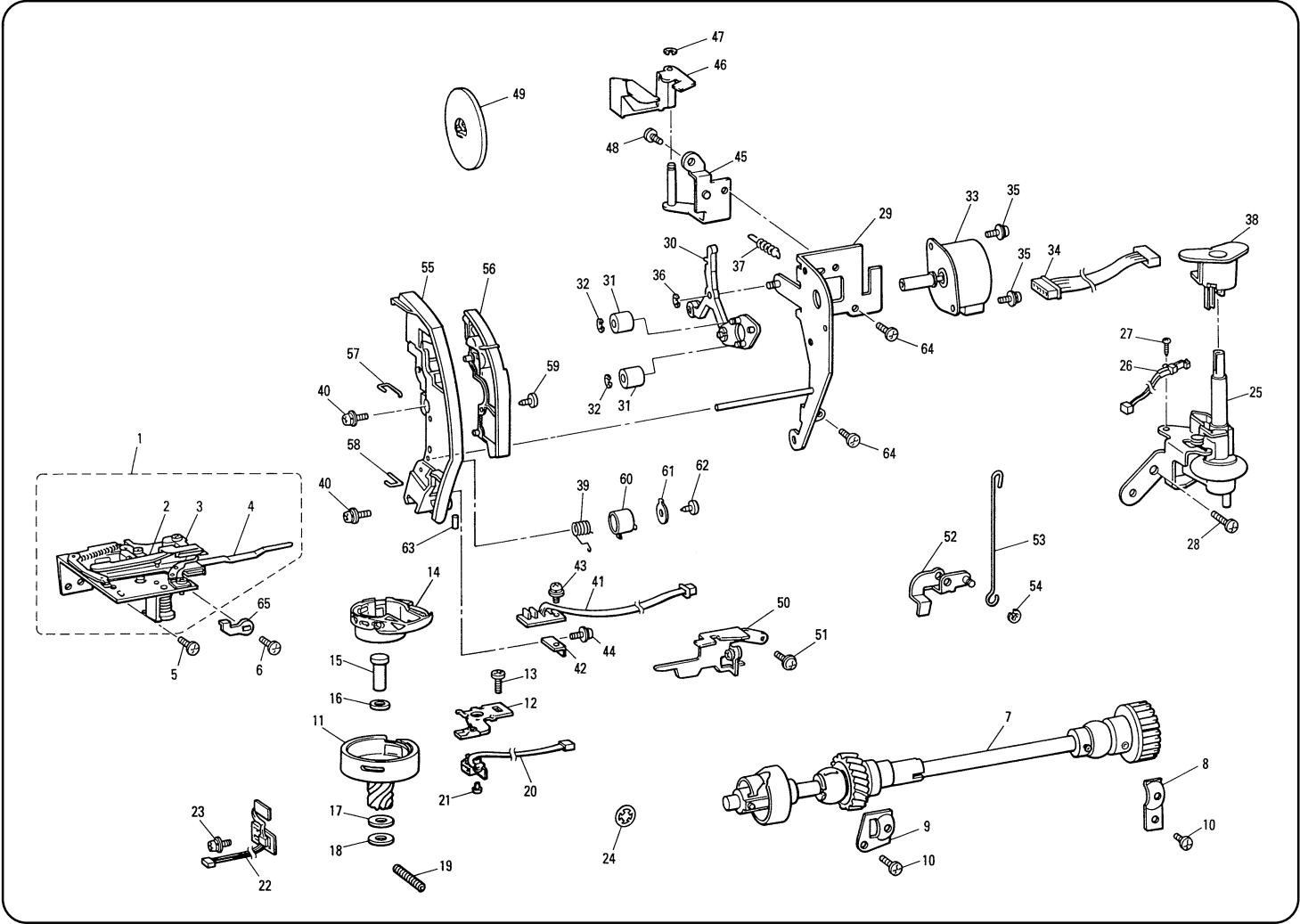
Ref-No.	Parts No.	Parts Name	Remarks
1	XA1824001	Upper shaft assembly	
2	X52478001	Presser plate A	
3	X57908051	Screw S4 × 10	
4	X53125001	Timing belt 176 X L031	
5	XA1830051	Tension pulley assembly	
6	138172001	Screw 4 × 10DA	
7	XA1832001	NP board assembly	
8	533777001	Screw 4 × 8DB	
9	XA2198051	Needle bar supporter assembly	
10	XA1839051	Needle threader shaft assembly	
11	129839001	Spring	
12	XA1841001	Needle threader slider	
13	XA1842051	Needle bar supporter stud A	
14	X56551000	Needle bar supporter stud C	
15	014400432	Screw 4 × 4	
16	XA1843150	Set plate	
17	060300616	Screw 3 × 6	
18	XA1844051	Needle release lever assembly	
19	XA1847051	Needle release lever shaft	
20	048025346	Stop ring E2.5	
21	XA1848051	Spring	
22	0A2300806	Screw 3 × 8B	
23	X57758051	Spring	
24	X55983050	Needle threader position setter	
25	012400432	Screw 4 × 4	
26	X55984101	Needle bar block assembly	
27	012400432	Screw 4 × 4	
28	X55990001	Needle bar guide	
29	060300416	Screw 3 × 4	
30	061300516	Screw M3 × 5	
31	X55991051	Needle bar crank rod assembly	
32	X58237001	Spring	
33	XA2389051	Needle bar crank	
34	132051001	Screw 3.57L	
35	XA1849001	Needle bar assembly	
36	XA1853051	Screw	
37	XA1851000	Needle bar thread guide	
38	008020316	Screw 2 × 3	
39	117914011	Needle	
40	XA1854001	Threader hook assembly	
41	014401632	Screw M4 × 16	

Ref-No.	Parts No.	Parts Name	Remarks
42	X56851051	Nut	
43	XA1856051	Spring	
44	XA1857051	Needle bar supporter stud holder	
45	XA1859051	Needle bar supporter stud	
46	X56464001	Needle bar supporter arm	
47	048025346	Stop ring E2.5	
48	XA0649051	Screw S4 × 14	
49	X57822101	Spring	
50	X58511100	Washer	
51	X50559050	Nut	
52	XA1860050	Washer	
53	062301006	Screw 3 × 10	
54	XA1861051	Spring	
55	XA2115001	Needle plate	
56	X80321001	Lower thread cutter	
57	X56828151	Needle plate cover	
58	X50487001	Screw M4	
59	XA1862051	Thread take-up lever assembly	
60	XA1864050	Thread take-up lever plate	
61	008020316	Screw 2 × 3	
62	XA1865051	Thread take-up lever stud	
63	048050346	Stop ring E5	
64	XA1866001	Washer	
65	XA0649051	Screw S4 × 14	
66	XA1867051	Presser bar	
67	XA1868051	Presser foot lifter	
68	XA1869050	Stud for presser foot lifter	
69	X52760051	Screw 6 × 12	
70	XA1870051	Presser bar clamp assembly	
71	137736051	Spring	
72	XA1875051	Spacer	
73	XA0649051	Screw S4 × 14	
74	137748101	Zigzag presser foot	
75	XA1876101	Presser holder assembly for S.G 2000	
	XA3808001	Presser holder assembly for PC-8200	
76	XA1882001	BH switch plate assembly	
77	XA2222001	PT holder	
78	X58035001	Cloth selecting sensor	
79	XA1893050	PT lever	
80	012300632	Screw M3 × 6	
81	XA1894051	Spring	









(5) LAMP, MAIN PC BOARD ASSEMBLY AND MOTOR UNIT <B985>

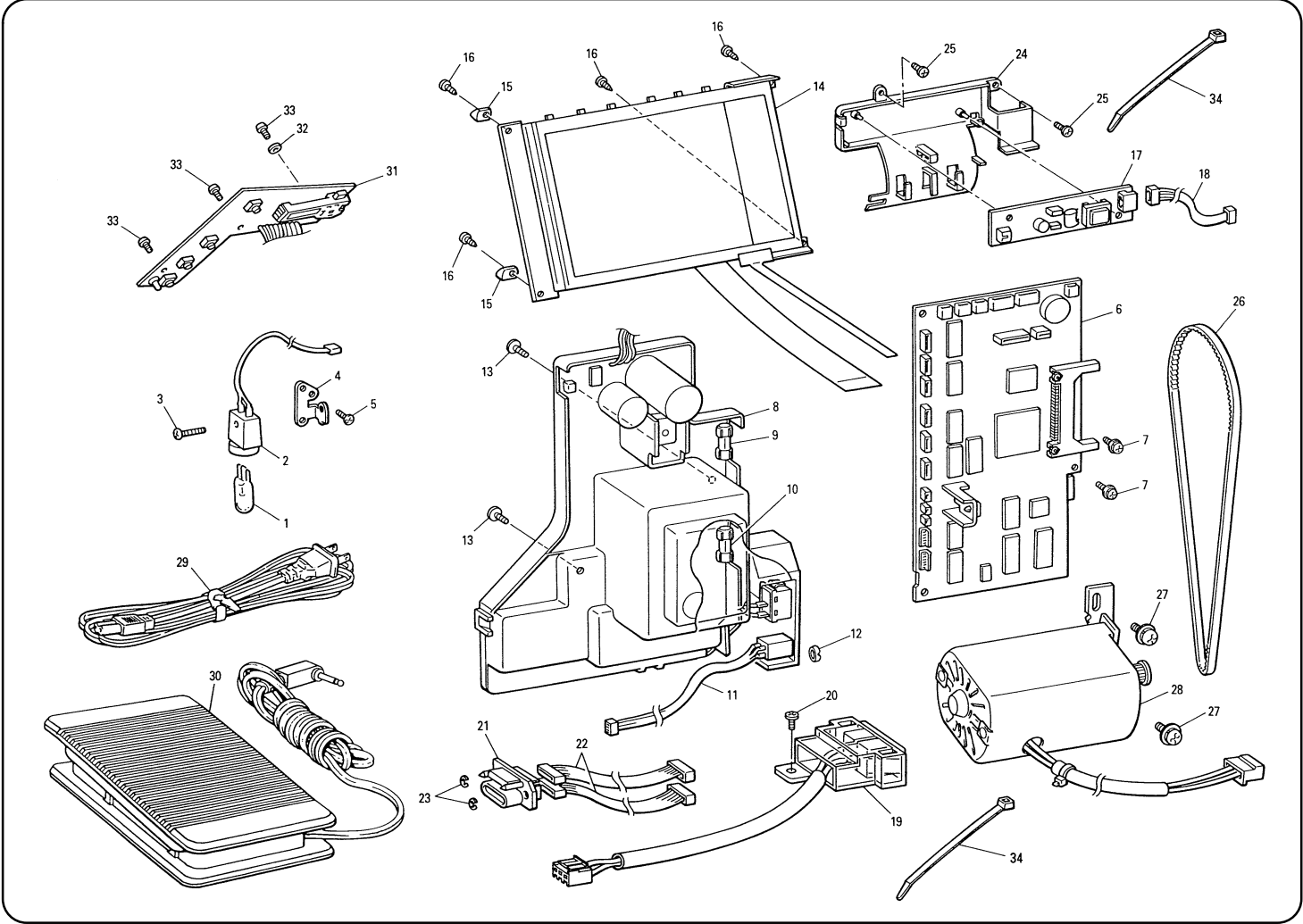
Ref-No.	Parts No.	Parts Name	Remarks
1	XA2037001	WB sew-light bulb	
2	XA2038001	WBL socket assembly	
3	002261205	Screw 2.6 × 12	
4	XA2040051	Lamp holder	
5	060300416	Screw 3 × 4	
6	X81010201 (old) X81037001 (new)	Main PC board assembly for U.S.A and Canada	
	X81011201 (old) X81038001 (new)	Main PC board assembly for IRELAND, GERMANY, BELGIUM, U.K, FRANCE, NORWAY, NETHERLANDS, AUSTRIA, GREECE, SWEDEN, SPAIN, PORTUGAL, ITALY, FINLAND, SWITZERLAND, DENMARK, GIBRALTAR, ICELAND, MALTA, MONACO, AUSTRALIA, NEW ZEALAND and SOUTH AFRICA	
	X81049001 (new)	Main PC board assembly for KOREA	
	X81012201 (old) X81039001 (new)	Main PC board assembly for other countries	
7	052300606	Screw 3 × 6	
8	X80938001	Power supply unit assembly for 120V	
	X80939001	Power supply unit assembly for 230V	
9	U32809001	Fuse ULTSC 3.15A for 120V	
	X56549001	G fuse 5AB for 230V	
10	X55397001	G fuse 3.15AA for 120V	
	XA0069001	G fuse 2AT-S for 230V	
11	XA2075001	Pin jack assembly for 120V	
	XA3241001	Pin jack assembly for 230V	
12	X51271001	Jack nut	
13	060402016	Screw 4 × 20	
14	XA3216001	LCD unit assembly for PC-8200	
	XA3237001	LCD unit assembly for S.G 2000	
15	XA2220050	Board presser	
16	U06923002	Screw B3 × 10	
17	XA2094001	Inverter	
18	XA2097001	Lead wire assembly	
19	XA3220001	Inlet assembly for 120V	
	XA3229001	Inlet assembly for 230V	
20	060400616	Screw M4 × 6	
21	X56302001	Connector 176496	

Ref-No.	Parts No.	Parts Name	Remarks
22	XA2096001	Lead wire assembly for 120V	
	XA3244001	Lead wire assembly for 230V	
23	048025346	Stop ring E2.5	
24	XA2225050	Inverter cover	
25	060300616	Screw 3 × 6	
26	XA1826001	Timing belt B173 XXL6.4	
27	537235001	Screw 5 × 12DB	
28	XA3332051	MM-512-21 motor unit for 120V	
	XA3356051	MM-512-51 motor unit for 230V	
29	XA2815051	Power supply cord for UL, CSA	
	XA0070051	Power supply cord for Europe	
	X59328051	Power supply for SAA	
	X57079001	Power supply for U.K	
30	234522001	FC-301-81 controller	
31	XA2084001	SSVR board assembly	
32	X57005000	Washer 3	
33	136681001	Screw B3 × 8	
34	124240001	Band	

NOTE:

old -G7XXXXXXX ('97. JUL. PRODUCTION)

new H70111101~ ('97. AUG. PRODUCTION)



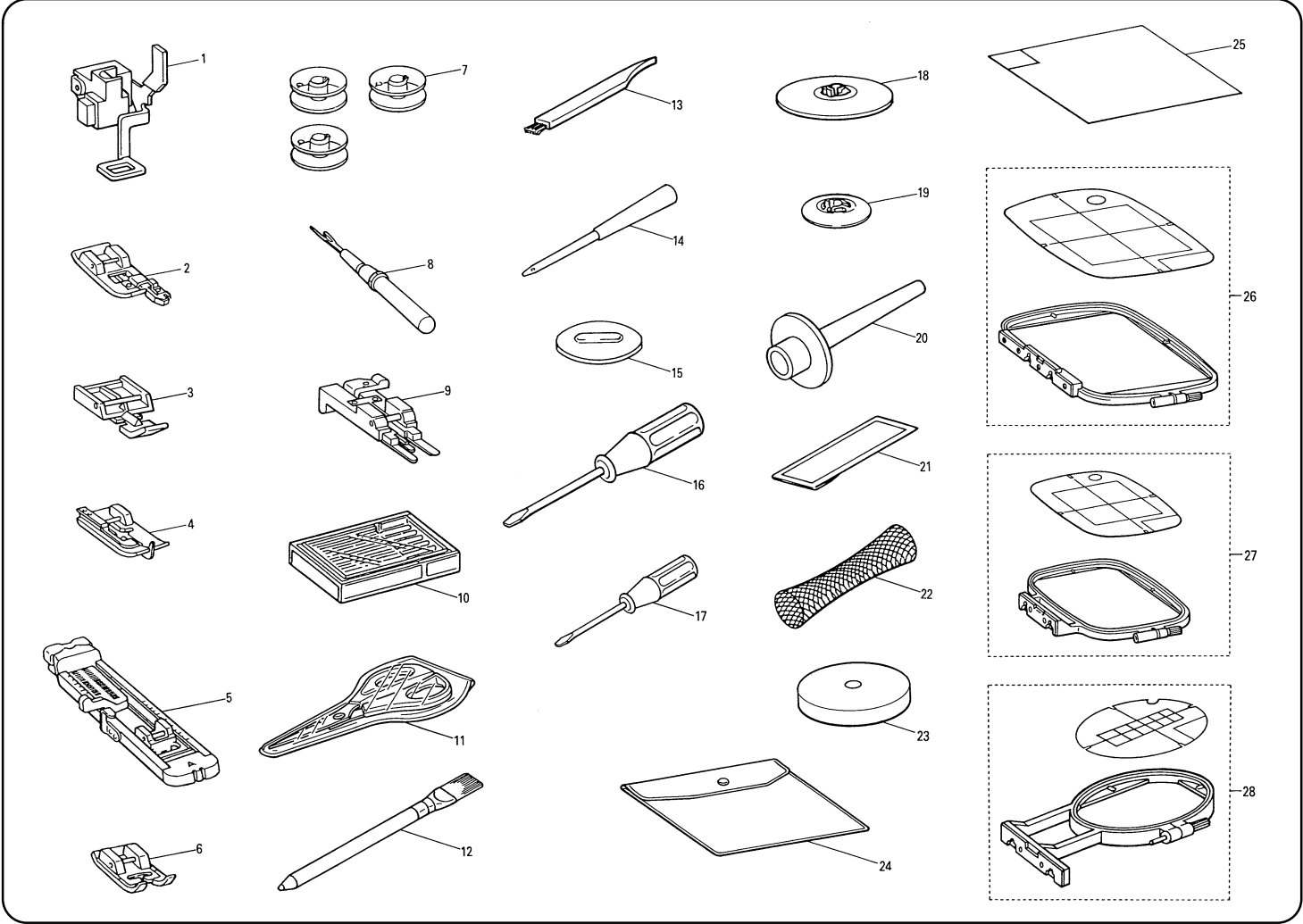
(6) ACCESSORY <B985>

Ref- No.	Parts No.	Parts Name	Remarks
1	XA2159101	Embroidery foot assembly	
2	X51162001	Overcasting stitch-foot	
3	X59370051	Zipper foot	
4	X56409001	Blind stitch foot	
5	X57789101	Button hole foot	
6	X53840201	Monogramming foot	
7	XA3811051	Bobbin for PC-8200	
	XA3812051	Bobbin for S.G 2000	
8	X54243001	Seam ripper	
9	130489001	Button fitting foot	
10	X58358001	Z needle set	
11	184783001	Scissors	
12	184944001	Chalk pen	
13	XA4527001	Cleaning brush	
14	135793001	Eyelet punch	
15	XA2005051	Needle plate fixing metal	
16	X55467051	Screw driver M	
17	X55468051	Screw driver S	
18	130012003	Spool cap A	
19	130013003	Spool cap B	
20	XA3336051	Spool pin	
21	X59296001	Twin needle set	
22	127610000	Net	
23	X57045001	Felt	
24	128369003	Accessory bag	
25	XA3250101	Pattern sheet (old)	
	XA4595001	Pattern sheet (new)	
26	X80902002	Embroidery frame L for S.G 2000	
	X80902003	Embroidery frame L for PC-8200	
27	X80903002	Embroidery frame M for S.G 2000	
	X80903003	Embroidery frame M for PC-8200	
28	X80904102	Embroidery frame S for S.G 2000	
	X80904103	Embroidery frame S for PC-8200	
29	XA4813-051	Screw 3.57	
30	X80948001	Grid sheet set for S.G 2000	
	X80948002	Grid sheet set for PC-8200	
31	X80914001	Backing material for S.G 2000	
	X80914002	Backing material for PC-8200	
32	X80943001	Side cutter	
33	X80926001	Walking foot	

NOTE:

old ~G7XXXXXXX ('97. JUL. PRODUCTION)

new H70111101~ ('97. AUG. PRODUCTION)



(7) EMBROIDERY UNIT <B985>

Ref-No.	Parts No.	Parts Name	Remarks
1	XA2119101	Main frame assembly	
2	XA2122050	X driving gear pulley	
3	048040346	Stop ring E4	
4	X53838001	Washer	
5	Z26309001	BP483523LM30XPM	
6	052300606	Screw	
7	XA2123001	Timing belt 60S2M494	
8	XA2124051	X tension pulley assembly	
9	052300606	Screw 3 × 6	
10	052400806	Screw 4 × 8	
11	XA2128001	X guide shaft	
12	052400806	Screw 4 × 8	
13	XA2129101	X carriage assembly	
14	XA2133050	Gear	
15	048020346	Stop ring E2	
16	XA2134050	Y driving gear pulley	
17	025060235	Washer M6	
18	048040346	Stop ring E4	
19	X53838001	Washer	
20	XA4454001	Y carriage assembly	
21	XA2189050	Rubber	
22	XA4496000	Notched spring	
23	060300416	Screw 3 × 4	
24	XA4710000	Y slider	
25	052300606	Screw 3 × 6	
26	XA2123001	Timing belt 60S2M494	
27	XA2137051	Y tension pulley assembly	
28	XA2127050	Tension pulley	
29	025060235	Washer M6	
30	048040346	Stop ring E4	
31	052300606	Screw 3 × 6	
32	XA2139051	Y guide shaft	
33	048040346	Stop ring	
34	103810002	Washer	
35	XA2140101	X carriage supporter assembly	
36	XA2142050	Rubber	
37	XA2143050	X slider	
38	052400806	Screw 4 × 8	
39	XA2144150	X belt presser	
40	052400806	Screw 4 × 8	
41	Z26312001	BP483523LM31YPM	

Ref-No.	Parts No.	Parts Name	Remarks
42	575039003	Screw 3 × 5DA	
43	060400616	Screw M4 × 6	
44	052300606	Screw 3 × 6	
45	XA2148001 (old) XA4449001 (new)	XPM lead wire assembly	
46	XA2868001 (old) XA4460001 (new)	YPM lead wire assembly	
47	X56302001	Connector 176496	
48	037421616	Screw 4 × 16	
49	XA2150003	X carriage cover	
50	052400806	Screw 4 × 8	
51	XA2151001	ES main cover	
52	087411415	Screw B4 × 14	
53	XA2153101	ES side cover	
54	087411415	Screw B4 × 14	
55	XA2154101	ES base cover	
56	130157001	Rubber cushion	
57	XA2155050	Lock lever	
58	XA0814001	Shaft	
59	XA2157051	Spring	
60	136681001	Screw B3 × 8	
61	025030336	Washer L3	
62	XA2158051	Lock release button	
63	XA2863001	ES spacer	
64	XA4456001	Y shutter	
65	060300416	Screw 3 × 4	
66	XA4457000	Cord guide	
67	XA4458001	X sensor PC board holder	
68	060300416	Screw 3 × 4	
69	XA4459001	X shutter	
70	060400616	Screw M4 × 6	
71	XA4447001	X sensor PC board assembly	
72	052300606	Screw 3 × 6	
73	XA4451001	Y sensor PC board assembly	
74	060020416	Screw 2 × 4	
75	137947001	Clip	
76	XA4596001	Oil guard plate	

NOTE:

old ~G7XXXXXXX ('97. JUL. PRODUCTION)

new H70111101~ ('97. AUG. PRODUCTION)

