

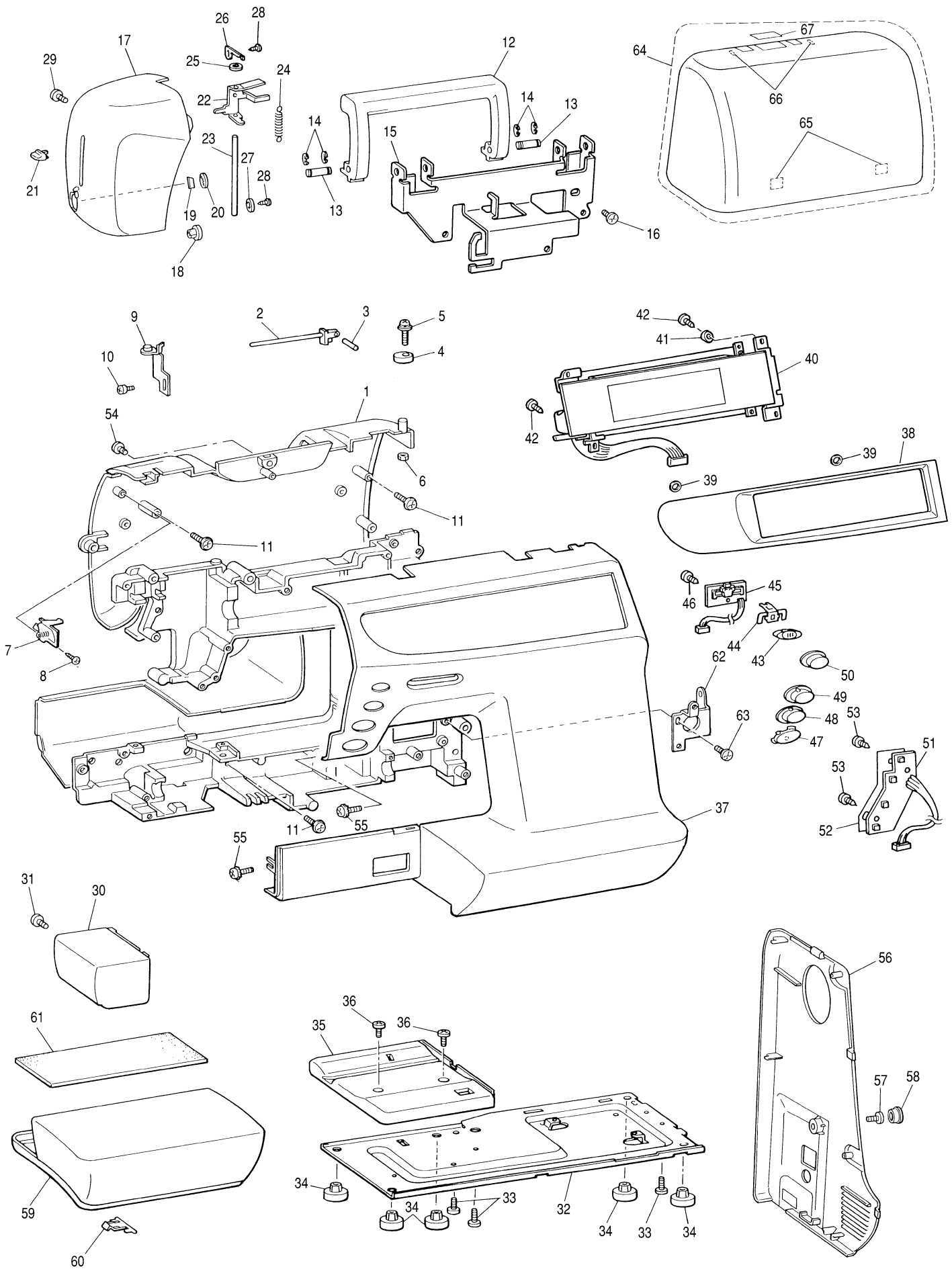
Parts Catalogue for
Computerized Sewing Machine
PC6000
SUPER ACE I

CONTENTS

(1) PRINCIPAL PARTS	2
(2) UPPER SHAFT AND NEEDLE BAR	4
(3) FEED MECHANISM	6
(4) ROTARY HOOK, THREAD GUIDED AND THREAD CUTTING	8
(5) LAMP, MAIN PC BOARD ASSEMBLY AND MOTOR UNIT	10
(6) ACCESSORY	12

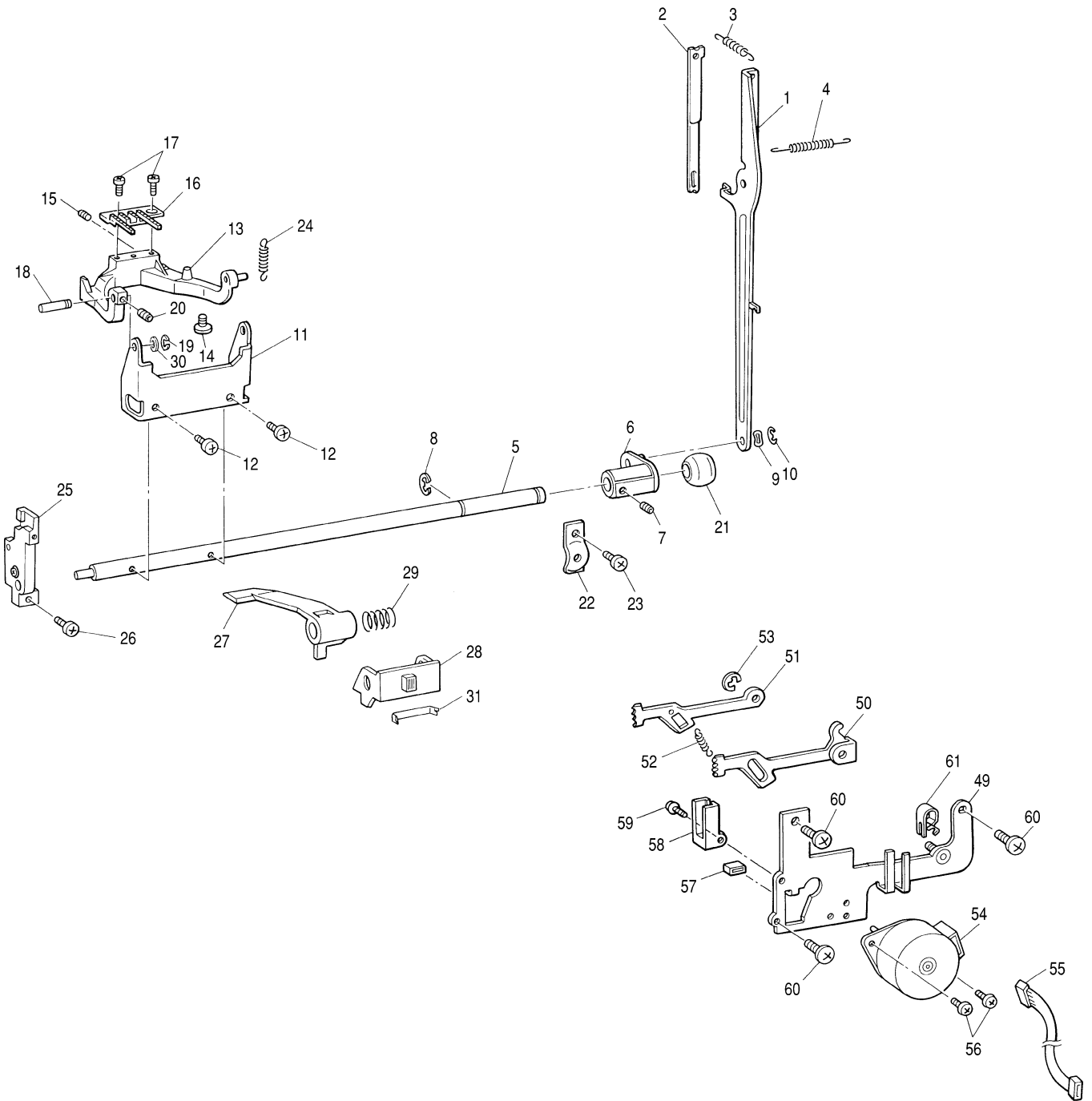
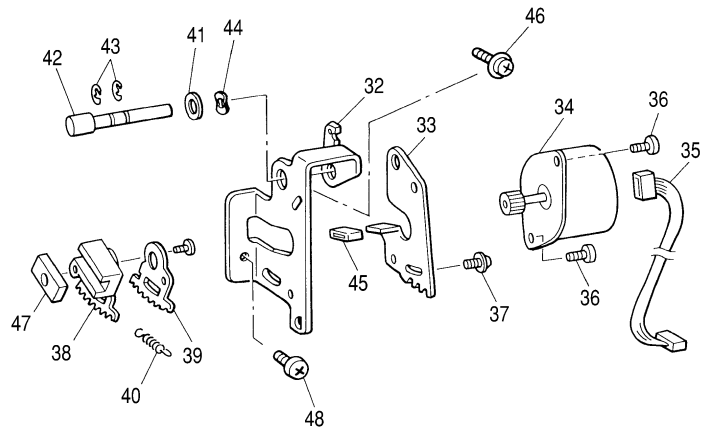
(1) PRINCIPAL PARTS

Ref. No.	Parts No.	No. of Parts	Parts Name	Remarks	Ref. No.	Parts No.	No. of Parts	Parts Name	Remarks
1	XA2880103	1	Rear cover for PC-6000		45	XA2905001	1	VR board assembly	
	XA2880104	1	Rear cover for Super ACE I		46	136681001	1	Taptite, Bind B M3 × 8	
2	X59053051	1	Spool pin		47	XA4300001	1	SS button for PC-6000	
3	XA4471051	1	Spool pin shaft 3 × 16			XA4321001	1	SS button for Super ACE I	
4	XA4324001	1	Bobbin presser		48	XA2908001	1	Reverse sewing button	
5	052301606	1	Screw, Pan M3 × 16		49	XA2909001	1	NP button	
6	021300106	1	Nut, 1 M3		50	XA2910001	1	Thread cutting button	
7	XA2881101	1	Thread guide plate assembly		51	XA4301001	1	SS board assembly	
8	138433001	1	Taptite, Pan B M3 × 6		52	XA2901100	1	Insulation sheet	
9	XA2883051	1	Thread guide holder		53	138433001	2	Taptite, Pan B M3 × 6	
10	060300416	1	Screw, Bind M3 × 4		54	087411415	1	Taptite, Cup B M4 × 14	
11	087411415	3	Taptite, Cup B M4 × 14		55	U12017001	2	Screw, Pan (T washer) M3 × 6	
12	XA2476051	1	Carrying handle		56	XA4302102	1	Belt cover	
13	XA2886051	2	Carrying handle shaft		57	060400616	1	Screw, Bind M4 × 6	
14	048040346	4	Retaining ring, E4		58	X50442001	1	Screw cover	
15	XA2887251	1	Handle holder		59	XA1816001	1	Accessory table assembly	
16	X57908051	2	Taptite, Bind S M4 × 10		60	138644051	1	Accessory table notched spring	
17	XA2889002	1	Face plate		61	X51434000	1	Sponge	
18	X51895051	1	Face plate bush		62	XA1820050	1	Set plate D	
19	X80321001	1	NT thread cutter assembly		63	X57908051	1	Taptite, Bind S M4 × 10	
20	XA0199001	1	Retaining ring, CSTW-8		64	XA2482052	1	Case assembly	
21	XA2943001	1	Needle threader lever knob		65	125440050	5	Case felt	
22	XA1801001	1	Needle threader lever		66	X56668050	2	Case felt	
23	X51469001	1	Needle threader lever shaft		67	XA3028051	1	Decoration plate	
24	138260001	1	Spring, Extension						
25	129935000	1	Washer						
26	X51470000	1	Shaft presser plate						
27	513159001	1	Washer						
28	138433001	2	Taptite, Pan B M3 × 6						
29	060401616	1	Screw, Bind M4 × 16						
30	XA1803051	1	Free arm cover						
31	0A6400806	1	Screw, Pan (S/P Washer) M4 × 8						
32	XA1804050	1	Base plate						
33	X57908051	3	Taptite, Bind S M4 × 10						
34	XA1805050	5	Rubber cushion A						
35	XA1806051	1	Base cover						
36	060400616	2	Screw, Bind M4 × 6						
37	X81031001	1	Front cover for PC-6000						
	X81032001	1	Front cover for Super ACE I						
38	XA4299001	1	Panel decoration plate for PC-6000						
	XA4299002	1	Panel decoration plate for Super ACE I						
39	146200001	2	Retaining ring CS4						
40	XA3592002	1	LCD module assembly for PC-6000						
	XA3592003	1	LCD module assembly for Super ACE I						
41	XA2220050	3	Circuit board presser						
42	U06923002	4	Taptite, Bind B M3 × 10						
43	XA2903001	1	S key top						
44	XA2904000	1	SV connecting block						



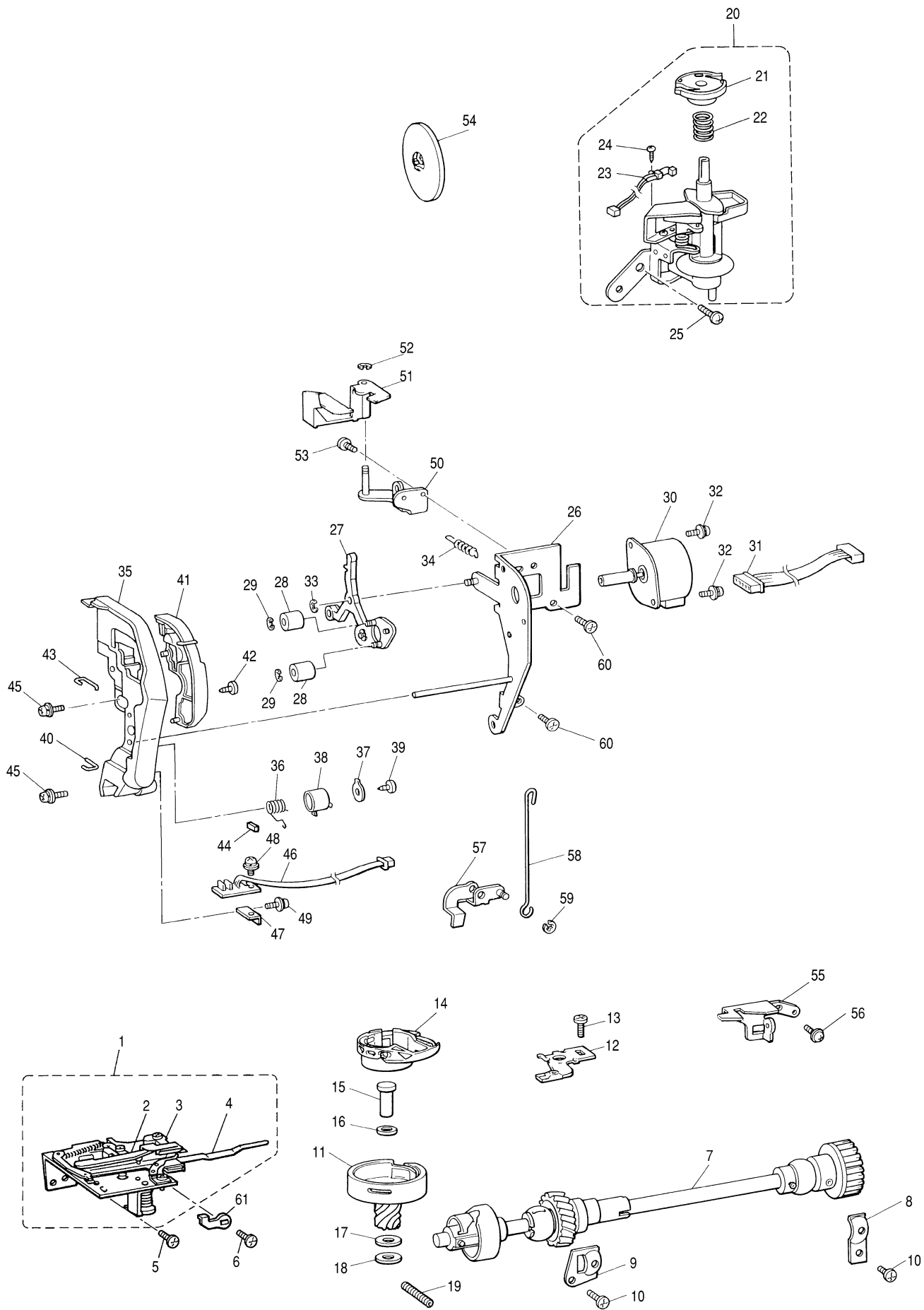
(3) FEED MECHANISM

Ref-No.	Parts No.	No. of Parts	Parts Name	Remarks	Ref-No.	Parts No.	No. of Parts	Parts Name	Remarks
1	XA1895051	1	Feed rod assembly		51	XA1933051	1	Side feed supporting plate	
2	XA2185050	1	Feed rod supporting plate		52	XA2972001	1	Spring, Extension	
3	XA1898001	1	Spring, Extension F		53	048040346	1	Retaining ring E4	
4	XA1899001	1	Spring, Extension S		54	Z26306001	1	BP483523LM29SPM	
5	XA1901050	1	Horizontal feed shaft		55	XA3610001	1	SPM lead wire assembly	
6	XA1902051	1	Horizontal feed arm assembly		56	060300416	2	Screw, Bind M3 × 4	
7	014500532	1	Set screw, Socket (CP) M5 × 5		57	XA2189050	1	Rubber	
8	048060346	1	Retaining ring E6		58	XA2192050	1	Side feed spacer	
9	X59915051	1	Washer, Wave spring		59	052300606	1	Screw, Pan (S/P Washer) M3 × 6	
10	048050346	1	Retaining ring E5		60	X57908051	3	Taptite, Bind S M4 × 10	
11	XA1905051	1	Horizontal feed plate		61	XA1935051	1	Spring, Plate	
12	060400816	2	Screw, Bind M4 × 8						
13	XA1907051	1	Feed bar						
14	X59916050	1	Screw						
15	012400432	1	Set screw, Socket (FT) M4 × 4						
16	XA1909001	1	Feed dog						
17	060300616	2	Screw, Bind M3 × 6						
18	XA1910051	1	Feed bar shaft						
19	048025346	1	Retaining ring E2.5						
20	014400432	1	Set screw, Socket (CP) M4 × 4						
21	132420000	1	Horizontal feed shaft bushing						
22	132421001	1	Bushing presser						
23	X57908051	1	Taptite, Bind S M4 × 10						
24	XA1911051	1	Spring, Extension						
25	XA1912050	1	Horizontal-feed shaft supporter						
26	052401406	1	Screw, Pan (S/P Washer) M4 × 14						
27	XA2526051	1	Drop plate						
28	XA1914051	1	Drop knob						
29	XA2199051	1	Spring, Compression						
30	137977000	1	Washer						
31	XA2200050	1	Spring, Plate						
32	XA1916050	1	FPM holder A						
33	XA1917050	1	FPM holder B						
34	Z26303001	1	BP483523LM28FPM						
35	XA2046001	1	FPM lead wire assembly						
36	060300816	2	Screw, Bind M3 × 8						
37	0A4400806	1	Screw, Pan (S/P Washer) M4 × 8						
38	XA1920151	1	Feed adjusting assembly						
39	XA1922151	1	F gear						
40	XA2972001	1	Spring, Extension						
41	X53330050	1	Washer						
42	XA1924050	1	Feed adjusting shaft						
43	048050346	2	Retaining ring E5						
44	X59915051	1	Washer, Wave spring						
45	XA2189050	1	Rubber						
46	XA0649051	1	Taptite, Cup S M4 × 14						
47	XA1927051	1	Feed regulator slide block						
48	X57908051	1	Taptite, Bind S M4 × 10						
49	XA3587051	1	SPM holder assembly						
50	XA1932051	1	Side feed plate						



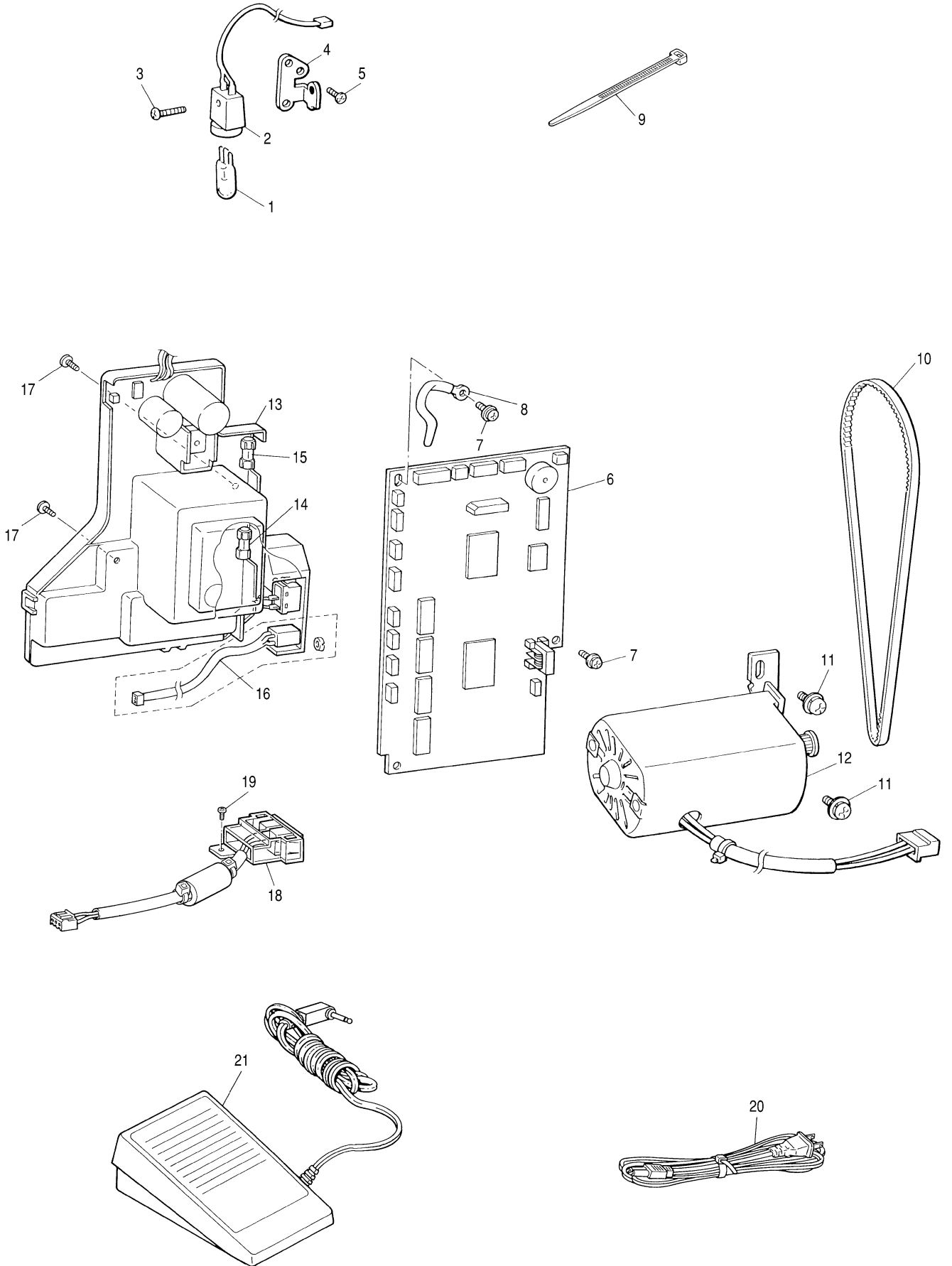
(4) ROTARY HOOK, THREAD GUIDE AND THREAD CUTTING

Ref-No.	Parts No.	No. of Parts	Parts Name	Remarks	Ref-No.	Parts No.	No. of Parts	Parts Name	Remarks
1	XA1936251	1	Thread cutting assembly		51	XA2035050	1	Thread guard	
2	XA2848151	1	Movable blade assembly		52	048030346	1	Retaining ring E3	
3	X56133001	1	Fixed blade		53	060300616	1	Screw, Bind M3 × 6	
4	XA1962051	1	Lower-thread guide arm assembly		54	X55260002	1	Spool cap (Medium)	
5	060400816	1	Screw, Bind M4 × 8		55	XA2935051	1	Thread guide plate	
6	060300516	1	Screw, Bind M3 × 5		56	060300616	1	Screw, Bind M3 × 6	
7	XA1968101	1	Lower shaft assembly		57	XA2194051	1	Tension releaser assembly	
8	132421001	1	Bushing presser R		58	XA2197051	1	Tension release wire	
9	XA1975051	1	Bushing presser L		59	048030346	1	Retaining ring E3	
10	X57908051	2	Taptite, Bind S M4 × 10		60	X57908051	2	Taptite, Bind S M4 × 10	
11	XA0356001	1	Outer rotary hook assembly		61	XA3842050	1	Presser plate	
12	XA1976001	1	Inner rotary hook bracket assembly						
13	060400816	1	Screw, Bind M4 × 8						
14	X57177301	1	Inner rotary hook assembly						
15	XA0360001	1	Outer rotary hook shaft						
16	XA2190000	1	Washer U						
17	XA0361000	1	Washer						
18	XA0362001	1	Washer						
19	014401632	1	Set screw, Socket (CP) M4 × 16						
20	XA4311001	1	Bobbin winder assembly						
21	XA2951001	1	Bobbin base assembly						
22	XA2696051	1	Spring, Compression						
23	XA2003001	1	Bobbin winder switch assembly						
24	062260516	1	Screw, Pan M2.6 × 5						
25	X57908051	1	Taptite, Bind S M4 × 10						
26	XA2006151	1	Thread guard plate assembly						
27	XA3066051	1	Roller supporting arm assembly						
28	XA2016050	2	AT roller						
29	048025346	2	Retaining ring E2.5						
30	Z26300001	1	BP483523LM27ATP						
31	XA2929001	1	ATPM lead wire assembly						
32	060300816	2	Screw, Bind M3 × 8						
33	048030346	1	Retaining ring E3						
34	XA2019051	1	Spring, Extension						
35	XA2931002	1	Thread guard cover						
36	XA2022001	1	Spring						
37	XA2023051	1	Washer						
38	XA2024050	1	Thread cutting shutter						
39	136681001	1	Taptite, Bind B M3 × 8						
40	XA2025050	1	Thread guide wire						
41	XA2953051	1	Thread guard						
42	085311415	1	Taptite, Bind B M3 × 14						
43	XA2223050	1	Thread guard wire						
44	XA2867000	1	Rubber						
45	052300606	2	Screw, Pan (S/P Washer) M3 × 6						
46	XA2027001	1	Sensor board assembly						
47	XA2031051	1	Sensor board holder						
48	052300606	1	Screw, Pan (S/P Washer) M3 × 6						
49	136681001	1	Taptite, Screw B M3 × 8						
50	XA2933051	1	Thread guard holder						



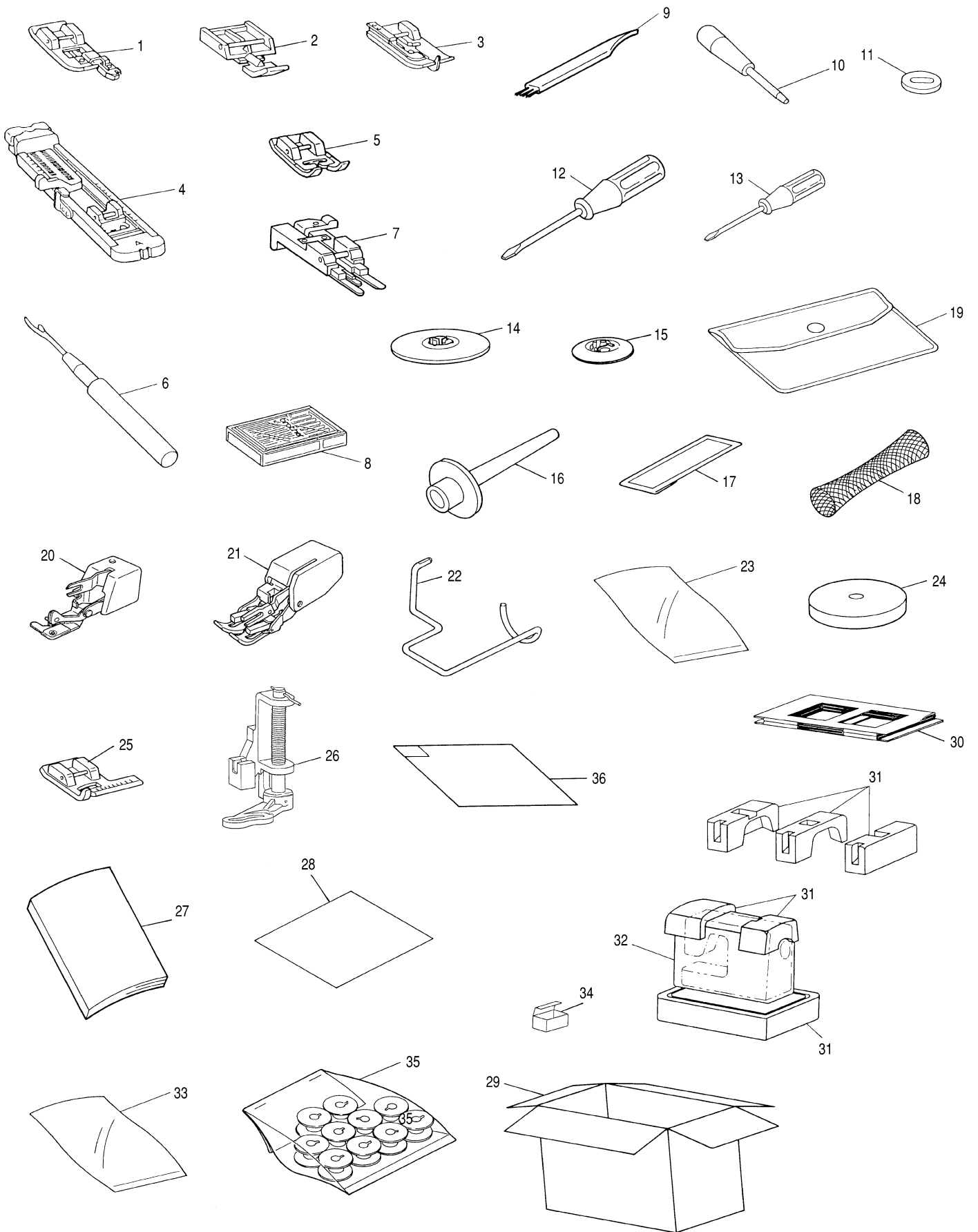
(5) LAMP, MAIN PC BOARD ASSEMBLY AND MOTOR UNIT

Ref- No.	Parts No.	No. of Parts	Parts Name	Remarks
1	XA2037001	1	WB sew-light bulb	
2	XA2038001	1	WBL socket assembly	
3	002261205	1	Screw, Pan M2.6 × 12	
4	XA2040051	1	Lamp holder	
5	060300416	1	Screw, Bind M3 × 4	
6	XA4306001	1	Main PC board assembly	
7	052300606	2	Screw, Pan (S/P Washer) M3 × 6	
8	137947001	1	Coating clip CS-1	
9	124240001	1	Band	
10	XA1826001	1	Timing belt B173 XXL6.4	
11	537235001	2	Screw, Pan (S/P Washer) M5 × 12	
12	XA3332051	1	MM-512-21 motor unit for 120V	
	XA3356051	1	MM-512-21 motor unit for 230V	
13	X80938001	1	Power supply unit assembly for 120V	
	X80939001	1	Power supply unit assembly for 230V	
14	X55397001	1	G fuse 3.15AA for 120V	
	XA0069001	1	G fuse 2AT-S for 230V	
15	U32809001	1	Fuse ULTSC 3.15A for 120V	
	X56549001	1	G fuse 5AB for 230V	
16	X81043001	1	Pin jack assembly for 120V	
	X81046001	1	Pin jack assembly for 230V	
17	060402016	2	Screw, Bind M4 × 20	
18	XA4326001	1	Inlet assembly for 120V	
	XA3229001	1	Inlet assembly for 230V	
19	060400616	1	Screw, Bind M4 × 6	
20	XA2815051	1	Power supply cord for UL, CSA	
	XA0070051	1	Power supply cord for Europe	
	X59328051	1	Power supply cord for Australia	
	X57079001	1	Power supply cord for UK	
21	XA3931051	1	Foot controller	



(6) ACCESSORY

Ref- No.	Parts No.	No. of Parts	Parts Name	Remarks
1	X51162001	1	Overcasting foot "G"	
2	X59370051	1	Zipper foot "I"	
3	X56409001	1	Blind stitch foot "R"	
4	X57789101	1	Buttonhole foot "A"	
5	X53840201	1	Monogramming foot "N"	
6	X54243001	1	Seam ripper	
7	130489001	1	Button fitting foot "M"	
8	X58358001	1	Needle set	
9	XA4527001	1	Cleaning brush	
10	135793001	1	Eyelet punch	
11	XA2005051	1	Disc-shaped screwdriver	
12	X55467051	1	Screwdriver (Large)	
13	X55468051	1	Screwdriver (Small)	
14	130012003	1	Spool cap (Large)	
15	130013003	1	Spool cap (Small)	
16	XA3336051	1	Extra spool pin	
17	X59296001	1	Twin needle set	
18	127610000	1	Net	
19	128369003	1	Accessory bag	
20	X81028001	1	Side cutter	
21	X81065001	1	Walking foot	
22	XA3412001	1	Finger guard	
23	XA0188000	1	Bag, 240 × 355 H	
24	X57045001	1	Spool felt	
25	X51804001	1	Stitch guide foot "P"	
26	XA4322001	1	Quilting foot	
27	191965011	1	Instruction manual (English)	
	191965012	1	Instruction manual (French)	
	191965013	1	Instruction manual (Dutch)	
	191965014	1	Instruction manual (German)	
	191965015	1	Instruction manual (Spanish)	
	191965016	1	Instruction manual (Italian)	
28	123325001	1	Label	
29	X61088001	1	Carton for PC-6000	
	X61089001	1	Carton for Europe	
	X61089002	1	Carton for Europe (recycled mark, green point)	
30	X61090000	1	Pad	
31	X60986000	1	960 SF assembly	
32	X60439100	1	Bag, 630 × 630	
33	160670000	1	Bag, 150 × 350	
34	X61014000	1	Carton, Accessory	
35	XA3811051	1	Bobbin (10 set), UPC	
	XA3812051	1	Bobbin (10 set), EAN	
36	XA4595001	1	Pattern sheet	



PC6000
SUPER ACE I
H7060089