

**PARTS CATALOGUE FOR  
COMPUTERIZED SEWING MACHINE**

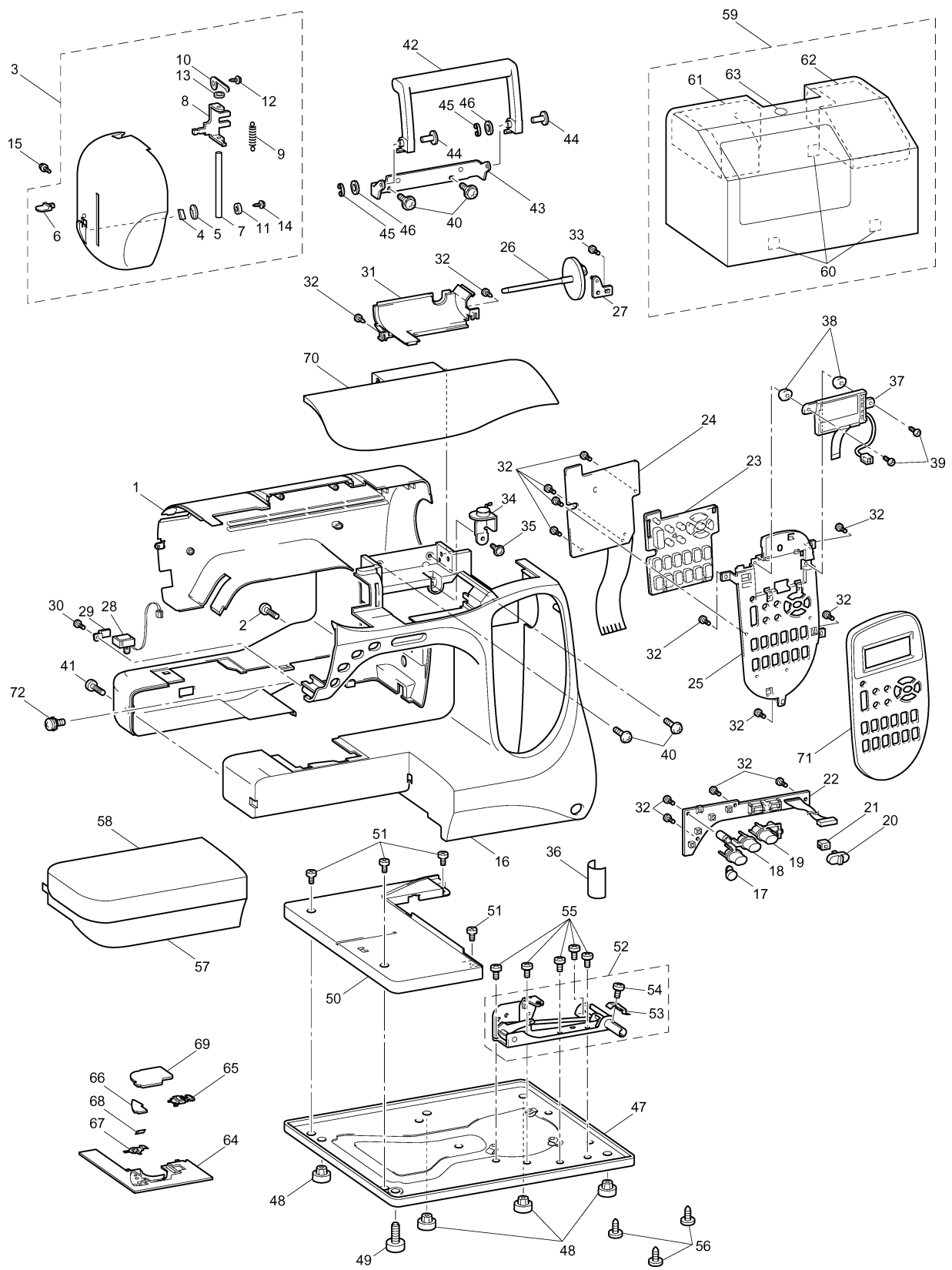
**NX400**

# CONTENTS

(1) PRINCIPAL PARTS.....	2
(2) UPPER SHAFT MECHANISM.....	4
(3) NEEDLE BAR, PRESSER / FEED, ROTARY HOOK / THREAD CUTTING MECHANISM .....	6
(4) ROTARY HOOK DRIVE / BOBBIN WINDER MECHANISM .....	8
(5) THREAD GUIDE MECHANISM.....	10
(6) ELECTRONIC PARTS / MOTOR UNIT .....	12
(7) ATTACHMENTS / PRINTED MATTER / PACKING MATERIALS.....	14
NEEDLE-PRESSER MODULE.....	16
FEED MODULE .....	20
THREAD CUTTER MODULE .....	22

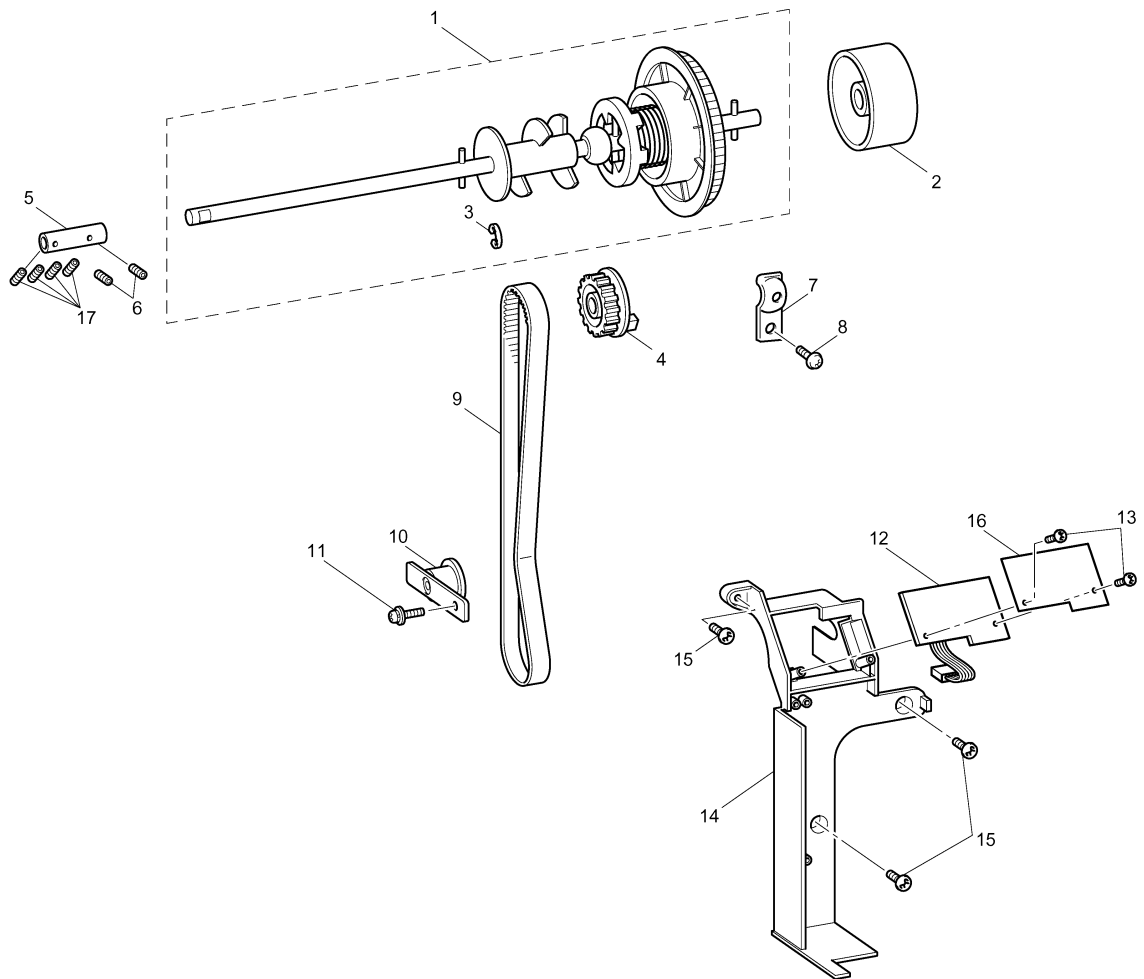
## (1) PRINCIPAL PARTS

No.	CODE	NAME	REMARKS	No.	CODE	NAME	REMARKS
1	XC4617052	REAR COVER		45	048040346	RETAINING RING, E4	
2	060400816	SCREW, BIND M4 × 8		46	137713050	POLYESTER SLIDER	
3	XC2306052	FACE PLATE		47	XC2353051	BASE PLATE	
4	X80321001	NT LOWER THREAD CUTTER		48	XA1805051	BASE RUBBER A	
5	138384051	RETAINING RING,CS5		49	XA4687051	REGULATOR ADJUSTING SCREW ASSY	
6	XC2747051	NEEDLE THREAD LEVER KNOB		50	XC2354051	BASE PLATE COVER	
7	XA5825051	NEEDLE THREAD LEVER SHAFT		51	060300516	SCREW, BIND M3 × 5	
8	XC3039051	NEEDLE THREAD LEVER		52	XC4447051	KNEE LIFTER ASSEMBLY	
9	138260051	THREAD THROUGH LEVER SPRING		53	XA6215151	SPRING,PLATE	
10	XA6320050	SHAFT PRESSER PLATE		54	060260316	SCREW, BIND M2.6 × 3	
11	XA5525051	WASHER,PLAIN		55	062400616	SCREW, PAN M4 × 6	
12	138433051	TAPTITE,PAN B M3 × 6		56	X57908051	TAPTITE,BIND S M4 × 10	
13	XC0508050	RUBBER WASHER		57	XC2358151	ACCESSORY TABLE	
14	X59629051	TAPTITE,BIND B M3 × 10		58	XC2359052	ACCESSORY TABLE DOOR	
15	052401406	SCREW PAN (S/P WASHER) M4 × 14		59	XC2360152	CASE ASSEMBLY	
16	XC4441053	FRONT COVER		60	125440050	CASE FELT	
17	XC2312053	SS-BUTTON		61	XC2702150	HEAD SUPPORT SF-L	
18	XC2313051	REVERSE BUTTON		62	XC2703050	HEAD SUPPORT SF-R	
19	XC2314051	THREAD CUT BUTTON		63	XZ0161051	BLIND PLATE	
20	XC2315051	SV KEYTOP		64	XC2365051	NEEDLE PLATE B	
21	XC2316050	SV JOINT PLATE		65	XC2366051	SLIDE BUTTON	
22	XC2317051	PCB ASSY:SS-VR F2		66	XC2367051	CUTTER COVER	
23	XC4442052	RUBBER KEY F3		67	XC2368051	SPRING PLATE	
24	XC4403051	PCB ASSY:OPERATION F3		68	X80321001	NT LOWER THREAD CUTTER	
25	XC4444051	OPERATION PCB HOLDER		69	XC2369051	NEEDLE PLATE COVER	
26	XA1786053	SPOOL PIN		70	XC2304062	TOP COVER (U.S.A., CANADA)	
27	XC2337051	SPOOL PIN HOLDER ASSY			XC2304061	TOP COVER	
28	XC4531051	PCB UNIT:LED LAMP-FR		71	XC4325055	INDICATION PLATE ASSY	
29	XC2345051	LED LAMP HOLDER R SUPPORTER		72	XC4433051	SCREW,PAN(T WASHER)M3 × 6	
30	XZ0150051	TAPTITE,PAN B M2.6 × 10					
31	XC2346051	THREAD BOBBIN COVER					
32	136681051	TAPTITE, BIND B M3 × 8					
33	087311015	TAPTITE, CUP B M3 × 10					
34	XC2620051	BOBBIN WINDER GUIDE ASSY					
35	XA8390051	SCREW					
36	XZ0143050	SSVR INSULATION SHEET					
37	XC4418051	SINGLE LIGHT GUIDE ASSY					
38	XC4543051	BOARD PRESSER					
39	X59629051	TAPTITE,BIND B M3 × 10					
40	087411416	TAPTITE, CUP B M4 × 14					
41	XA3337052	TAPTITE,CUP P M4 × 20					
42	XC2348051	HANDLE					
43	XC2349051	HANDLE HOLDER					
44	XC2350051	HANDLE SHAFT					



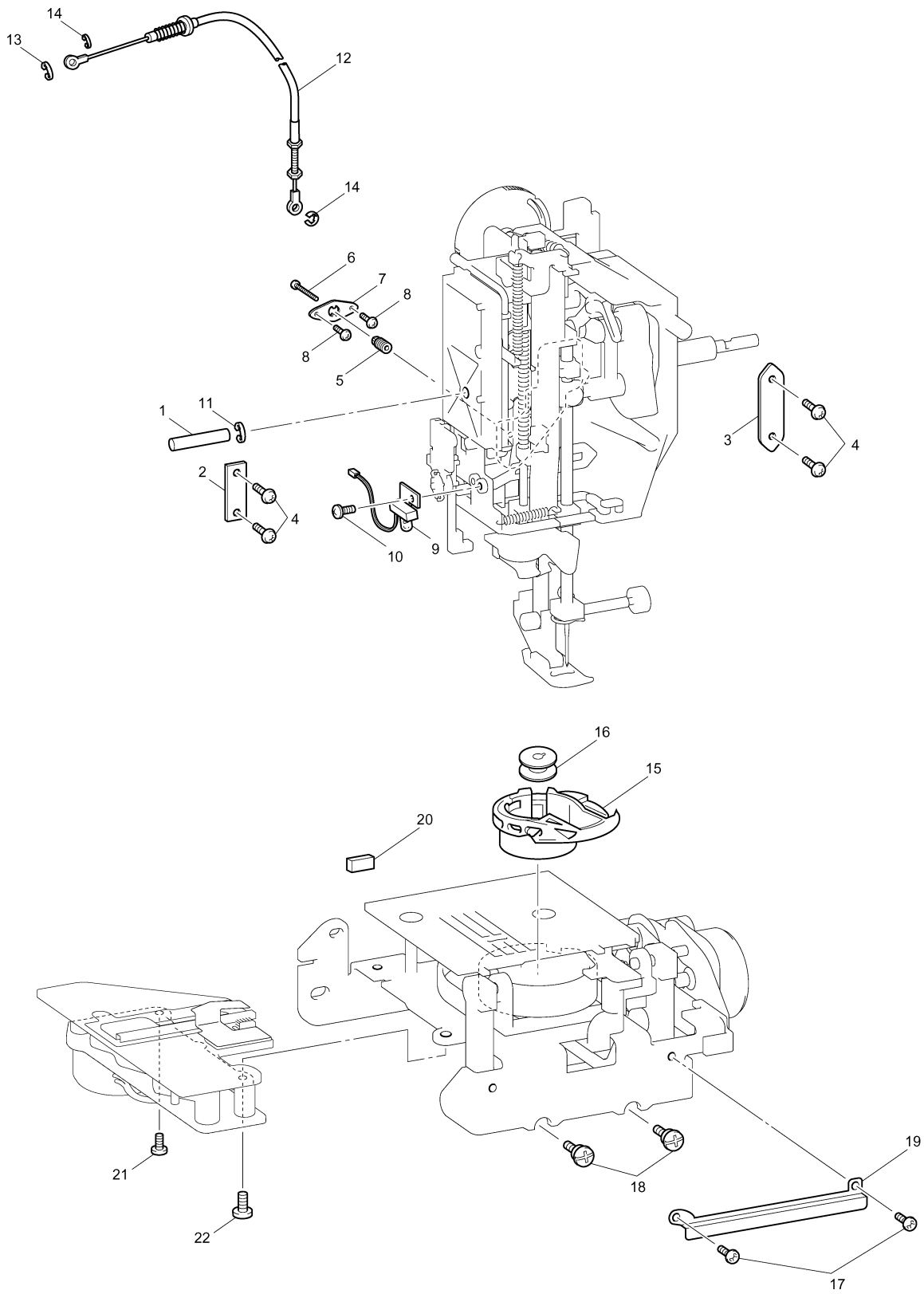
## (2) UPPER SHAFT MECHANISM

No.	CODE	NAME	REMARKS
1	XC3246051	UPPER SHAFT ASSY	
2	XC2375051	PULLEY	
3	048060346	RETAINING RING, E6	
4	XC2380050	UPPER SHAFT PULLEY	
5	XC2383051	FIXED JOINT	
6	012500532	SET SCREW, SOCKET (FT) M5 × 5	
7	132421051	BUSHING PRESSER	
8	X57908051	TAPTITE,BIND S M4 × 10	
9	XC2384051	TIMING BELT 420-5GT-6	
10	XC2385051	TENSION PULLEY ASSEMBLY	
11	138172051	SCREW,PAN(S/P WASHER)M4 × 10	
12	XC2387051	PCB ASSY:NP-F2	
13	136681051	TAPTITE, BIND B M3 × 8	
14	XC2390051	PCB HOLDER	
15	060400816	SCREW, BIND M4 × 8	
16	XC3028051	INSULATION SHEET	
17	014400432	SET SCREW, SOCKET (CP) M4 × 4	



**(3) NEEDLE BAR, PRESSER / FEED, ROTARY HOOK / THREAD CUTTING MECHANISM**

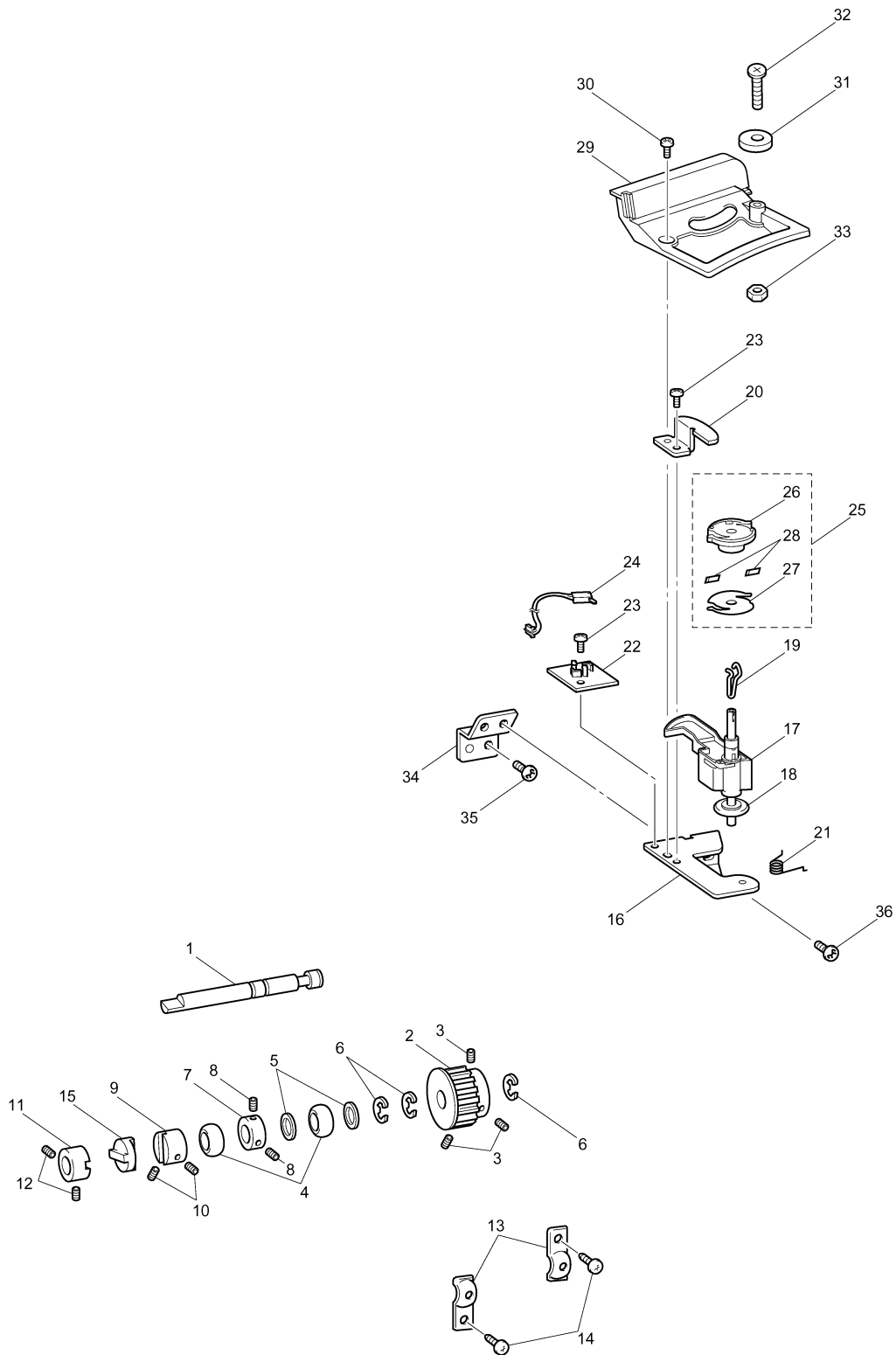
No.	CODE	NAME	REMARKS
NEEDLE BAR / PRESSER MECHANISM			
1	XC2503051	SHAFT	
2	XC2297051	PRESSER PLATE A	
3	XC2298051	PRESSER PLATE B	
4	X57908051	TAPTITE,BIND S M4 × 10	
5	XC2504050	ADJUSTING SCREW	
6	0A1301606	SCREW,PAN(P WASHER)M3 × 16	
7	XC2505050	PLATE SPRING	
8	060400516	SCREW, BIND M4 × 5	
9	XC4532051	PCB UNIT:LED LAMP-FL	
10	XZ0149051	TAPTITE,PAN B 4 × 12	
11	048050346	RETAINING RING, E5	
12	XC4473001	WIRE ASSY	
13	048040346	RETAINING RING, E4	
14	048030346	RETAINING RING, E3	
FEED / ROTARY HOOK MECHANISM			
15	XC3153051	INNER ROTARY HOOK ASSY	
16	X52800150	BOBBIN	
17	060300416	SCREW, BIND M3 × 4	
18	XC3096051	SCREW M4	
19	XC3095050	LEADLINE GUIDE HOLDER	
20	XZ0160051	SHEET	
THREAD CUTTING MECHANISM			
21	060400516	SCREW, BIND M4 × 5	
22	060300516	SCREW, BIND M3 × 5	





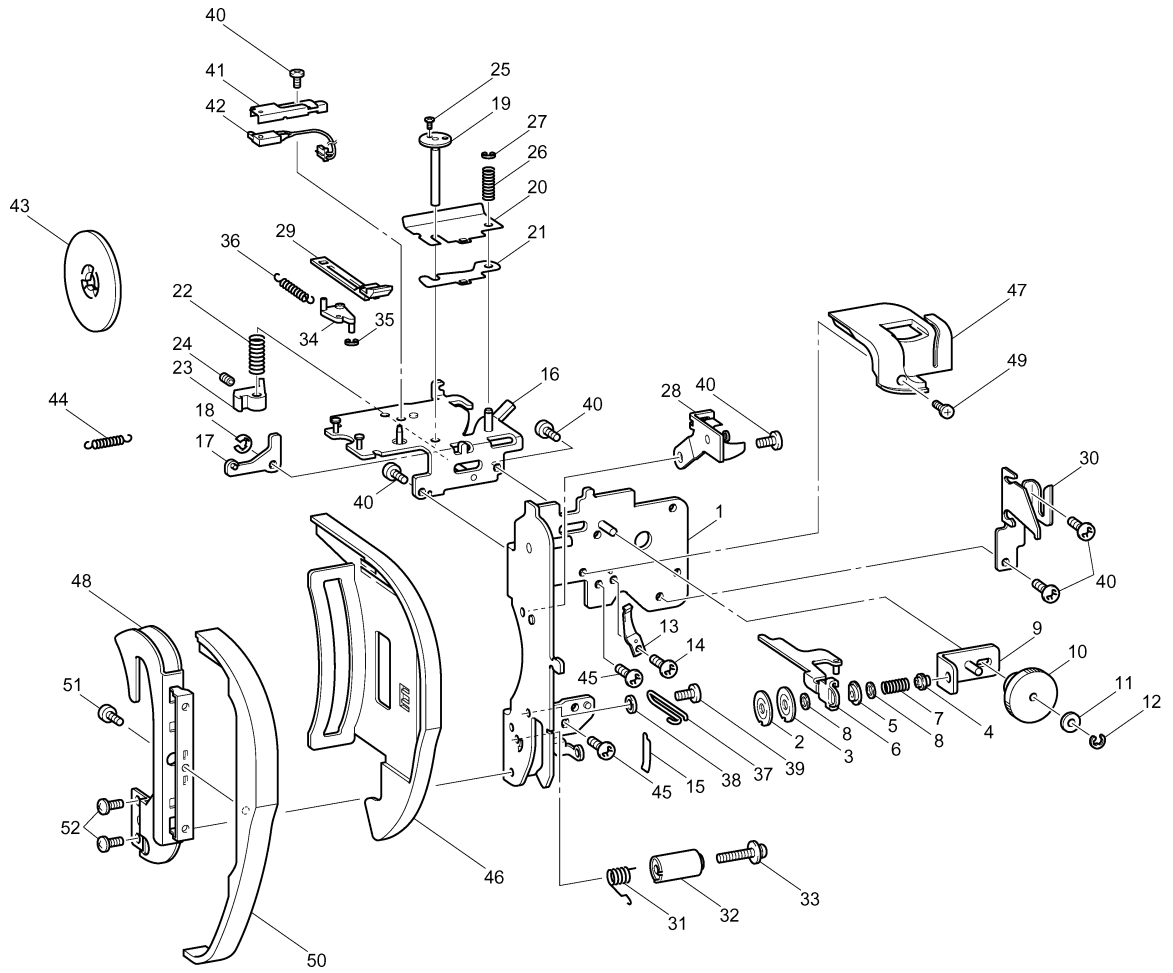
## (4) ROTARY HOOK DRIVE / BOBBIN WINDER MECHANISM

No.	CODE	NAME	REMARKS
ROTARY HOOK DRIVE MECHANISM			
1	XC2600050	LOWER SHAFT A	
2	XC2601051	TIMING PULLEY D	
3	014500532	SET SCREW, SOCKET (CP) M5 × 5	
4	X52664050	LOWER SHAFT BUSHING	
5	X51383050	WASHER, THRUST	
6	048060346	RETAINING RING, E6	
7	137768151	SET SCREW COLLAR	
8	014400432	SET SCREW, SOCKET (CP) M4 × 4	
9	XC2602051	JOINT	
10	012500532	SET SCREW, SOCKET (FT) M5 × 5	
11	XC2602051	JOINT	
12	012500532	SET SCREW, SOCKET (FT) M5 × 5	
13	132421051	BUSHING PRESSER	
14	X57908051	TAPTITE, BIND S M4 × 10	
15	XC2603050	DISK	
BOBBIN WINDER MECHANISM			
16	XC2605051	BOBBIN WINDER ASSEMBLY HOLDER	
17	XC2606051	BW SHAFT HOLDER ASSEMBLY	
18	X55238051	RUBBER RING	
19	125928050	BOBBIN WINDER SHAFT SPRING	
20	XA2862051	BOBBIN WINDER SHAFT STOPPER	
21	XZ0070051	BOBBIN WINDER SPRING	
22	XC2614051	SW ADJUST PLATE	
23	060300616	SCREW, BIND M3 × 6	
24	XC2612051	SW ASSY: BW-F	
25	XC4672051	BOBBIN BASE ASSY	
26	XC2616051	BOBBIN BASE	
27	XA5877051	BOBBIN THREAD CUTTER HOLDER	
28	X80321001	NT LOWER THREAD CUTTER	
29	XC2618051	BOBBIN WINDER COVER	
30	XA8390051	SCREW	
31	XC4517051	BOBBIN PRESSER	
32	0A4302006	SCREW	
33	021300106	NUT, 1 M3	
34	XC2615051	BW HOLDER SUPPORTER	
35	X57908051	TAPTITE, BIND S M4 × 10	
36	060400816	SCREW, BIND M4 × 8	



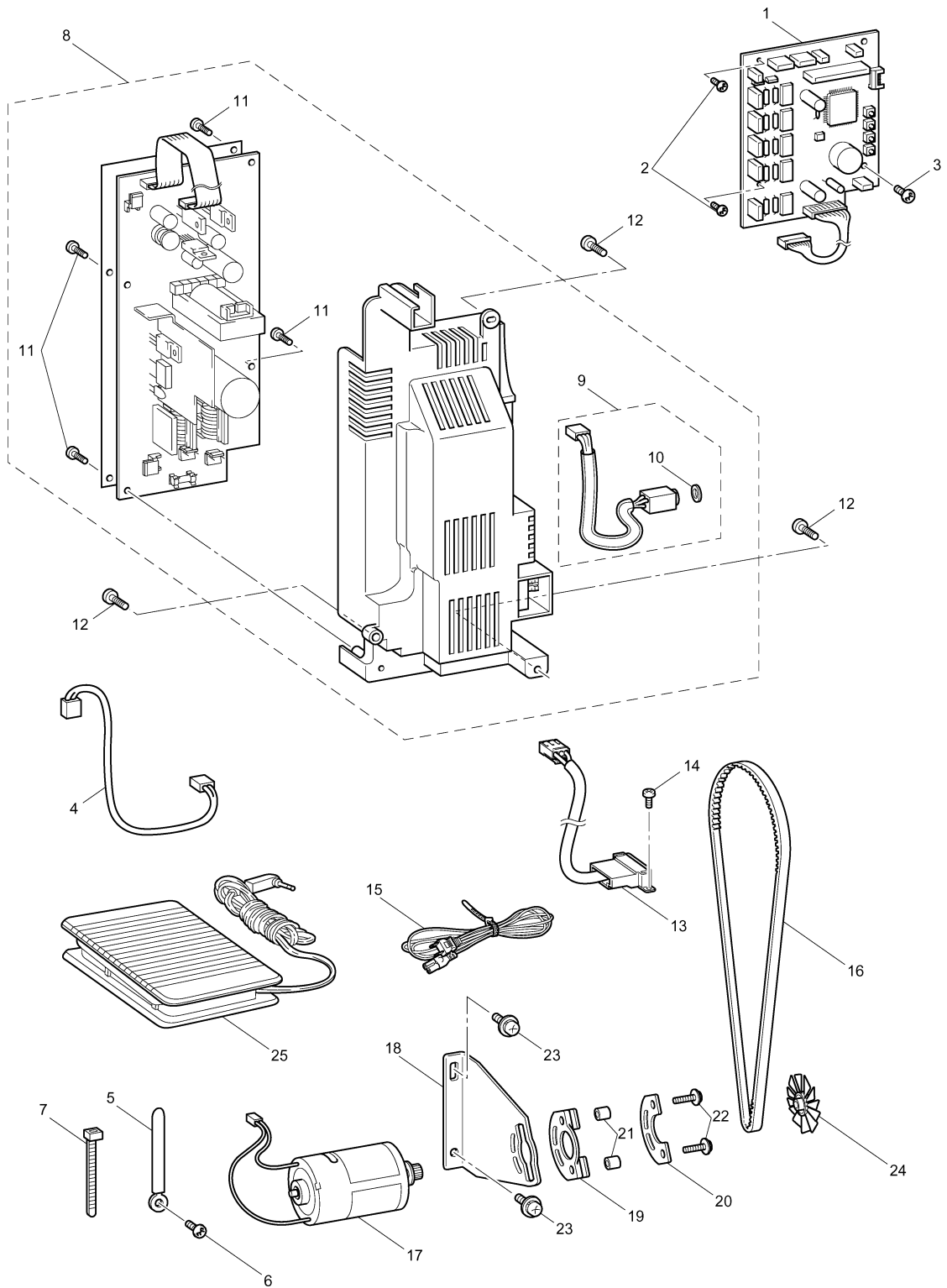
## (5) THREAD GUIDE MECHANISM

No.	CODE	NAME	REMARKS	No.	CODE	NAME	REMARKS
1	XC2624151	THREAD GUARD ASSEMBLY		45	085411015	TAPTITE, BIND B M4 × 10	
2	XA0083051	TENSION DISC A		46	XC2652152	THREAD GUIDE COVER	
3	XC2626051	TENSION DISC B		47	XC2655053	FRONT THREAD GUARD COVER	
4	XC3437051	TENSION ADJUSTING SCREW		48	XC4203151	THREAD GUIDE ASSY	
5	XA1388051	TENSION DISC WASHER		49	060300416	SCREW, BIND M3 × 4	
6	XC2627051	TENSION RELEASE PLATE ASSY		50	XC2659052	THREAD GUIDE COVER	
7	XA9900051	THREAD TENSIONSPRING		51	085310615	TAPTITE, BIND B M3 × 6	
8	109763053	WASHER		52	052300606	SCREW, PAN (S/P WASHER) M3 × 6	
9	XC2629051	TENSION PLATE ASSY F2					
10	XC2630054	THREAD TENSION DIAL					
11	137999050	POLYESTER SLIDER					
12	048030346	RETAINING RING, E3					
13	XC2633051	SPRING PLATE					
14	060300416	SCREW, BIND M3 × 4					
15	XA9935050	SPRING TAPE					
16	XC2635051	TENSION RELEASE HOLDER ASSY					
17	XA9571051	TENSION RELEASERLINK					
18	048030346	RETAINING RING, E3					
19	XC2638051	TENSION PRESSURE ASSY					
20	XA9575051	TENSION PLATE					
21	XA9576051	SPACER					
22	XA9577051	SPRING					
23	XC2640051	TENSION RELEASE CAM					
24	012300432	SET SCREW, SOCKET (FT) M3 × 4					
25	X57363051	POWER LOCK 2 × 3					
26	X57605051	SPRING					
27	048020346	RETAINING RING, E2					
28	XC2644051	PLATE ASSEMBLY					
29	XC2647051	THREAD GUIDE SHUTTER					
30	XC2749051	THREAD GUIDE					
31	XZ0145051	THREAD TAKE UP SPRING					
32	XC2648051	THREAD CATCHING SPRING CASE					
33	0A4301806	SCREW, PAN S/P WASHER M3 × 18					
34	XC2649050	THREAD GUIDE SHUTTER LINK					
35	048030346	RETAINING RING, E3					
36	XC2650051	SPRING					
37	XC2651050	THREAD GUIDE WIRE					
38	XA9996051	WASHER,PLAIN					
39	052300606	SCREW, PAN (S/P WASHER) M3 × 6					
40	060300416	SCREW, BIND M3 × 4					
41	XC2641051	PRESSER SWITCH HOLDER					
42	XC2642051	SW ASSY:PF-F					
43	X55260153	SPOOL PRESSER C					
44	XA9787051	SPRING					



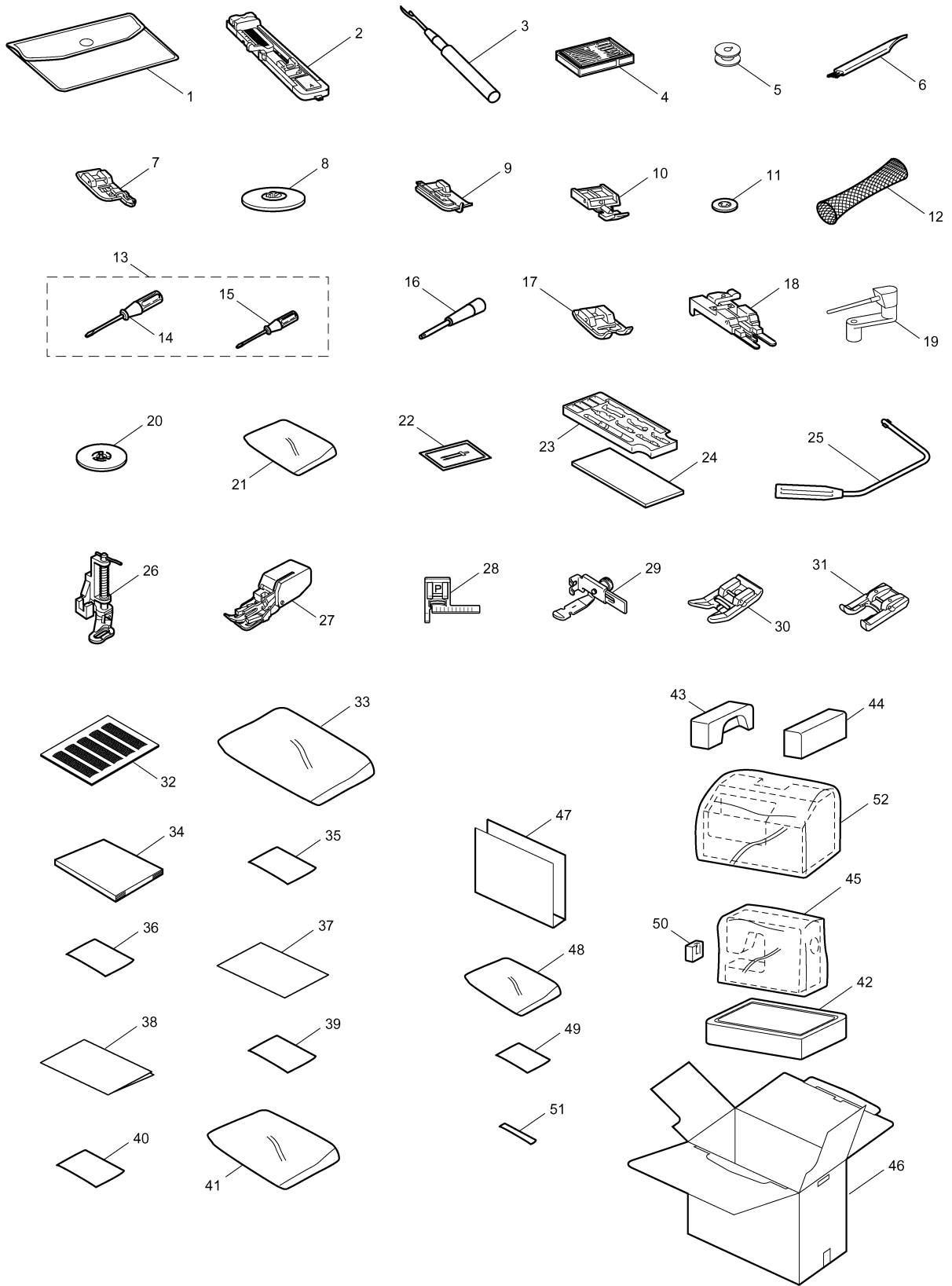
## (6) ELECTRONIC PARTS / MOTOR UNIT

No.	CODE	NAME	REMARKS
ELECTRONIC PARTS			
1	XC4388051	PCB ASSY:MAIN F1D-B	
2	136681051	TAPTITE, BIND B M3 × 8	
3	060400816	SCREW, BIND M4 × 8	
4	XC2672051	LEAD ASSY:BH CABLE-F	
5	XA0286051	WIRE CLIP	
6	X57908051	TAPTITE,BIND S M4 × 10	
7	X53169050	BAND	
8	XC2675252	POWER SUPPLY UNIT,F (U.S.A., CANADA)	
	XC2675251	POWER SUPPLY UNIT,F	
9	XC4488051	FC JACK-F SUPPLY ASSY	CHG
10	X51271001	NUT	
11	136681051	TAPTITE, BIND B M3 × 8	
12	052401406	SCREW PAN (S/P WASHER) M4 × 14	
13	XC4412051	INLET ASSY:F1D-US (U.S.A., CANADA)	
	XC4417051	INLET ASSY:F1D-EU	
14	060400616	SCREW, BIND M4 × 6	
15	XA2815151	POWER SUPPLY CORD FOR UL,CS (U.S.A., CANADA)	
	XA0070151	POWER SUPPLY CORD (EUROPE)	
	X59354051	POWER SUPPLY CORD (U.K.)	
	X59328151	POWER SUPPLY CORD (AUSTRALIA)	
MOTOR UNIT			
16	XC2685051	T BELT494-2GT-6	
17	XC2687051	ASSY:MAIN MOTOR-F	
18	XC2690051	MOTOR HOLDER	
19	XA9649050	FENDER RUBBER	
20	XA9650051	MOTOR SPACER PRESSER	
21	XC3027051	SPACER 4 × 6	
22	052401406	SCREW PAN (S/P WASHER) M4 × 14	
23	XA8474051	UPSET 4 × 12 DB	
24	XA9652150	MOTOR FAN	
25	XC1154051	CONTROLLER:FC-309-81	



## (7) ATTACHMENTS / PRINTED MATTER / PACKING MATERIALS

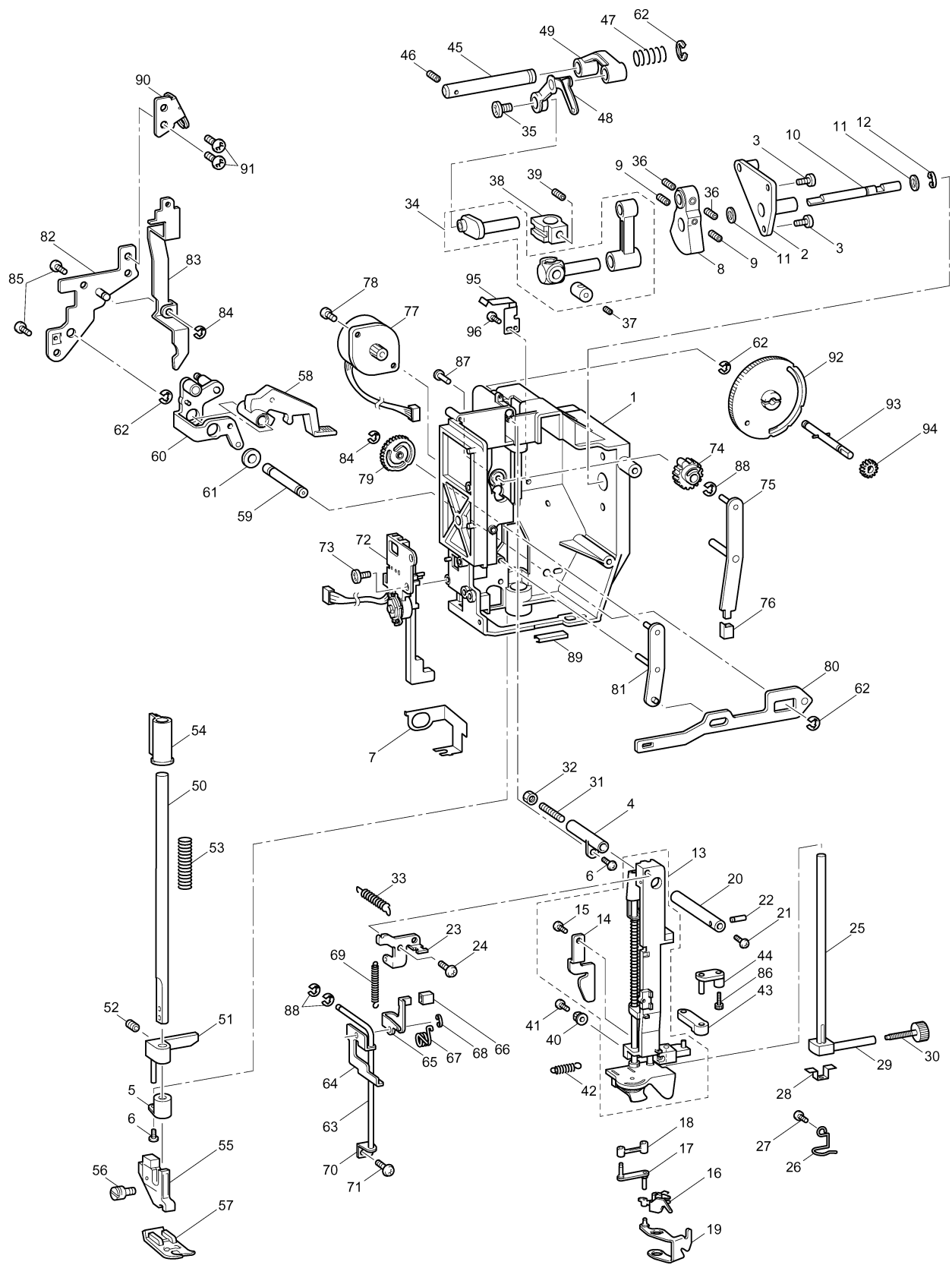
No.	CODE	NAME	REMARKS	No.	CODE	NAME	REMARKS
ATTACHMENTS							
1	XC4487051	ACCESSORY BAG		36	181401172	INSERTION WARRANTY COUPON (CANADA)	
2	XC2691051	BH PRESSER FOOT ASSY			181401137	INSERTION WARRANTY COUPON (U.K.)	
3	X54243001	SEAM RIPPER		37	XC4546051	QUICK REFERENCE GUIDE	
4	X58358051	Z NEEDLE ASSY		38	XC4589051	QUICK REFERENCE GUIDE (Pattern selecting)	
5	X52800150	BOBBIN		39	XC4545051	CAUTION SHEET	
6	X59476051	CLEANING BRUSH		40	XC4544051	LANGUAGE SETTING SHEET	
7	XC3098051	OVERCASTING STITCH FOOT ASSY		41	130800051	BAG, 220 × 310	
8	130012054	SPOOL PRESSER A		PACKING MATERIALS			
9	X56409051	BLIND STITCH FOOT ASSY		42	XC2704150	BODY SUPPORT SF	
10	X59370051	ZIPPER FOOT		43	XC2705050	CASE SUPPORT	
11	130013154	SPOOL PRESSER B		44	XC2706050	CASE SUPPORT SF-R	
12	XA5523050	NET		45	X60439151	BAG, 630 × 630T	
13	X55466051	SCREW DRIVER		46	XC4623051	CARTON (U.S.A., CANADA)	
14	X55467051	SCREW DRIVER			XC4623052	CARTON	
15	X55468051	SCREW DRIVER S		47	XC4631051	PAD	
16	135793051	PUNCH		48	XC4515050	BAG, BUBBLE PACK 250 × 250	
17	X53840351	TRANSPARENCY PRESSER FOOT		49	X57847051	PLUG LABEL	
18	130489001	BUTTONING FOOT		50	XC4762050	THREADER SUPPORT SF	
19	XC4654051	EXTRA SPOOL PIN ASSY		51	XC4726051	CANADA CLEAR SEAL	
20	X55260153	SPOOL PRESSER C		52	X61319051	BAG, 750 × 600H	
21	X57367051	BAG, 135 × 150					
22	X59296151	TWIN NEEDLE (1PC)					
23	XC4489051	ACCESSORY TRAY					
24	XC4490050	SPONGE					
25	XA6941052	KNEE LIFTER LEVER ASSY					
26	XA4322001	QUILTING FOOT					
27	X59816001	WALKING FOOT ASSEMBLY					
28	X51804001	STITCH FOOT					
29	103561002	ZIPPER FOOT					
30	XA4783001	NO STICK FOOT H					
31	XA7869001	APPLIQUE FOOT					
32	XC4549050	GRID SHEET SET					
33	XA0188050	BAG					
PRINTED MATTER							
34	XC4547051	INSTRUCTION BOOK (English)					
	XC4582051	INSTRUCTION BOOK (French)					
	XC4583051	INSTRUCTION BOOK (German)					
	XC4584051	INSTRUCTION BOOK (Dutch)					
	XC4585051	INSTRUCTION BOOK (Spanish)					
	XC4586051	INSTRUCTION BOOK (Italian)					
35	XC0378051	WARRANTY CARD (U.S.A.)					
	UH385100	WARRANTY CARD EUR (EUROPE)					
	XA6351151	WARRANTY CARD (ITALY)					



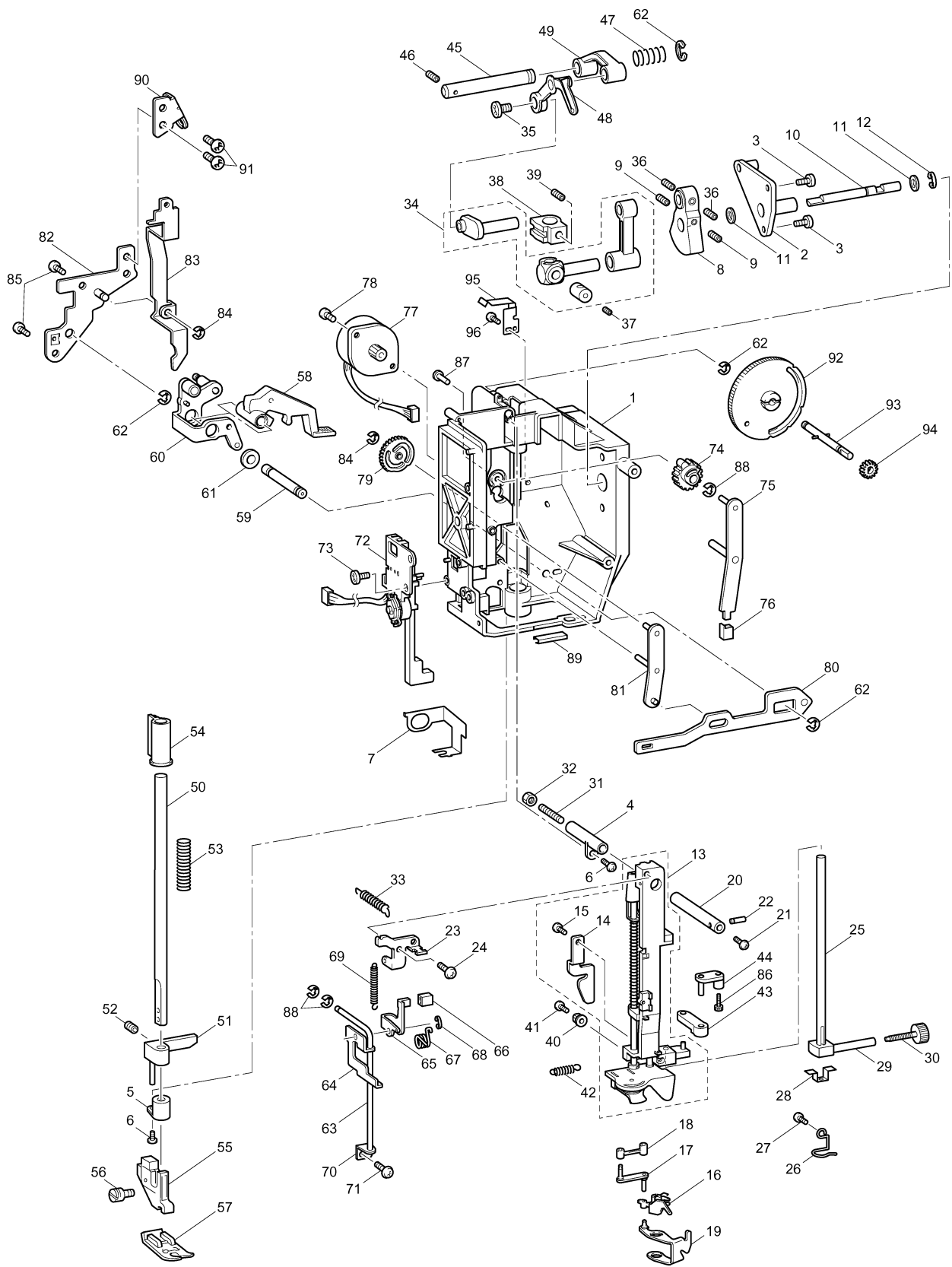


## NEEDLE-PRESSER MODULE

No.	CODE	NAME	REMARKS	No.	CODE	NAME	REMARKS
1	XC2394121	UPPER UNIT HOLDER		45	XC2440021	SHAFT	
2	XC2395121	SHAFT BUSHING ASSEMBLY		46	014300532	SET SCREW, SOCKET (CP) M3 × 5	
3	0A5401405	SCREW,PAN(S/P WASHER)M4 × 14DB		47	XC2441021	SPRING	
4	XC2398020	SHAFT BUSHING A		48	XC2442051	THREAD TAKE-UP LEVER	
5	XC2399021	PRESSER BAR BUSHING		49	XC2443020	THREAD TAKE-UP LEVER LINK	
6	085310815	TAPTITE, BIND B M3 × 8		50	XC2444021	PRESSER BAR	
7	XC5362020	PLATE SPRING		51	XC2445021	PRESSER BAR CLAMP ASSY	
8	XC2400021	THREAD TAKE-UP COUNTER WEIGHT		52	014501032	SET SCREW,SOCKET(CP)M5 × 10	
9	012500532	SET SCREW, SOCKET (FT) M5 × 5		53	XC4457051	SPRING	
10	XC2401021	UNIT SHAFT		54	XC4458050	PRESSER SPRING SUPPORTER	
11	132434050	WASHER		55	XC3015051	PRESSER FEED HOLDER ASSY	
12	048060346	RETAINING RING, E6		56	XA4813051	SCREW	
13	XC2402021	NEEDLE BAR SUPPORTER ASSY		57	XC3021051	Z FOOT	
14	XC2418020	HOOK RELEASE PLATE		58	XC2451021	PRESSER FOOT LIFTER	
15	060260516	SCREW, BIND M2.6 × 5		59	XC4459051	PRESSER LIFT SHAFT	
16	XC3032051	THREADER HOOK ASSY		60	XC4460051	LIFTER ASSY	
17	XA3565021	LINK A ASSY		61	XA1860150	WASHER	
18	XA3569021	LINK B		62	048040346	RETAINING RING, E4	
19	XC2415021	THREAD GUIDE ASSY		63	XC2453021	LEVER GUIDE SHAFT	
20	XC2419021	SHAFT		64	XC2455021	LEVER A ASSY	
21	000020415	SCREW,BIND M2 × 4		65	XC2458021	LEVER B	
22	XC2420020	SHAFT		66	XC2459020	CAP	
23	XC2421021	PLATE		67	XC2460021	TORSION SPRING	
24	060300516	SCREW, BIND M3 × 5		68	048030346	RETAINING RING, E3	
25	XC2423051	NEEDLE BAR		69	XC2461021	SPRING	
26	XC2424021	NEEDLE BAR THREAD GUIDE		70	XC2462021	LEVER PRESSER PLATE	
27	X53053052	SCREW SM2.38		71	085310615	TAPTITE, BIND B M3 × 6	
28	XC2426020	NEEDLE THREAD PLATE		72	XC2463121	BH SWITCH ASSY	
29	XC2427051	NEEDLE BROCK		73	XZ0149051	TAPTITE,PAN B 4 × 12	
30	XC2428021	NEEDLE CLAMP SCREW		74	XC2474020	Z ZIGZAG CAM	
31	014401232	SET SCREW, SOCKET (FT) M4 × 12		75	XC2476021	Z ZIGZAG LEVER ASSY	
32	X56851051	LOCK NUT		76	XC2480020	Z LEVER CUP	
33	XC2429021	SPRING		77	XC2481021	MOTOR,PULSE:Z SMJ35-4840-A	
34	XZ0152051	NEEDLE BAR CRANK ROD ASSY		78	085311015	SCREW, BIND B TITE 3 × 10	
35	132051052	SCREW, FLAT SM3.57-40 × 7 L		79	XC2483020	T CAM	
36	012500532	SET SCREW, SOCKET (FT) M5 × 5		80	XC2491021	THREAD RELEASER ASSY	
37	014400432	SET SCREW, SOCKET (CP) M4 × 4		81	XC2494021	THREAD RELEASE LEVER ASSY	
38	XC2434021	NEEDLE THREAD BLOCK		82	XC4465051	ADJUSTING PLATE ASSY	
39	012400432	SET SCREW, SOCKET (FT) M4 × 4		83	XC2501121	TENSION RELEASER C	
40	XC2435020	ZIGZAG ADJUSTING NUT		84	048030346	RETAINING RING, E3	
41	018301032	BOLT,SOCKET M3 × 10		85	085411015	TAPTITE, BIND B M4 × 10	
42	XC2748021	SPRING-Z		86	XC3037021	SCREW3 × 10	
43	XC2436021	NEEDLE HOLDER BROCK		87	XC2475021	SHAFT	
44	XC2437021	SHAFT ASSY		88	048020346	RETAINING RING, E2	

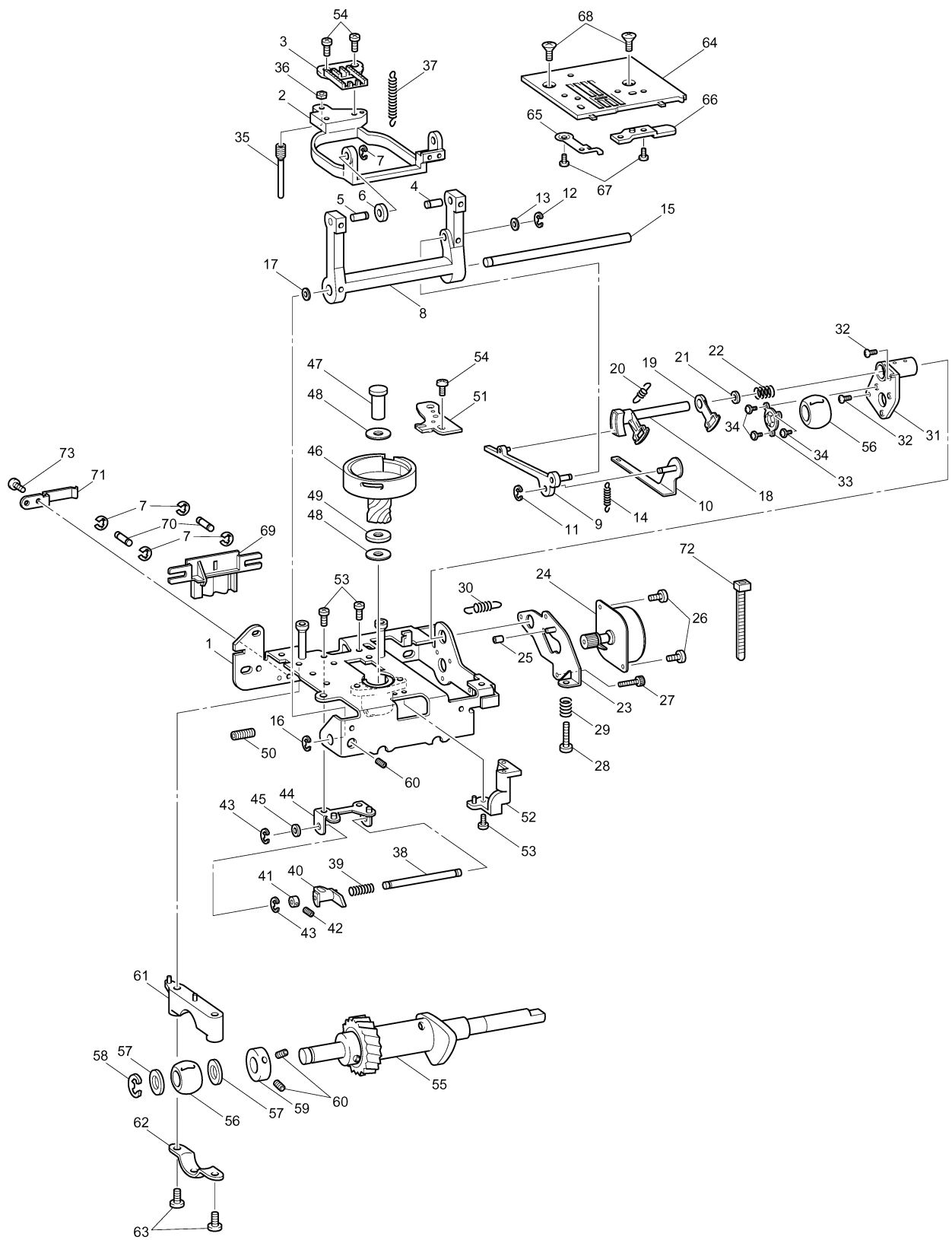




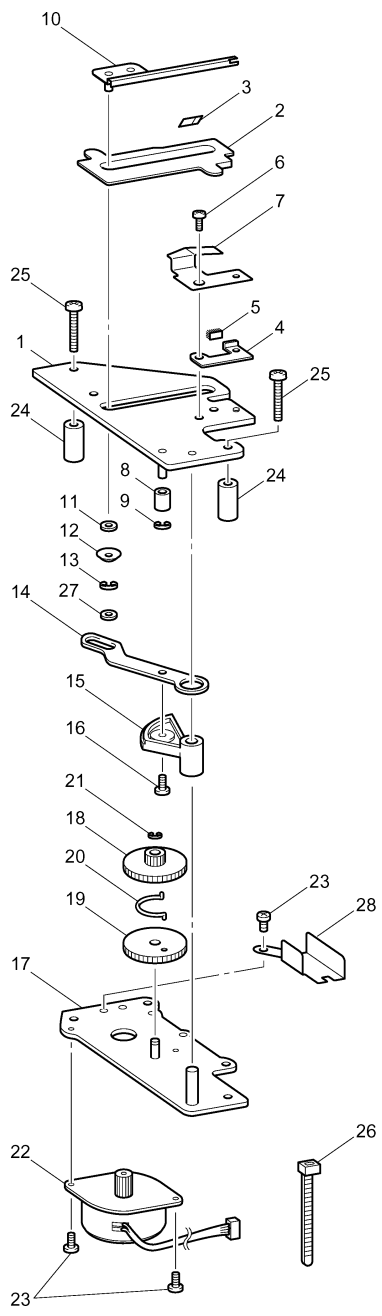


## FEED MODULE

No.	CODE	NAME	REMARKS	No.	CODE	NAME	REMARKS
1	XC3356051	FEED BASE		45	137713050	POLYESTER SLIDER	
2	XC2510021	FEED BAR		46	XC2210051	OUTER ROTALY HOOK ASSY	
3	XC2511021	FEED DOG		47	XC2230051	OUTER ROTARY HOOK SHAFT	
4	XC2512021	FEED BAR SHAFT A		48	137805052	SPACER	
5	XC2513021	FEED BAR SHAFT B		49	137976051	WASHER 6	
6	XC2514021	FEED BAR SPACER		50	014400632	SET SCREW, SOCKET (CP) M4 × 6	
7	048020346	RETAINING RING, E2		51	XC2555021	INNER ROTARY HOOK BRACKET ASSY	
8	XC2516021	FEED ARM A		52	XC2559021	STOPPER PLATE BLOCK ASSY	
9	XC2517021	FEED ARM B ASSY		53	060400516	SCREW, BIND M4 × 5	
10	XC2521021	FEED SUPPORTING PLATE ASSY		54	060300816	SCREW, BIND M3 × 8	
11	048020346	RETAINING RING, E2		55	XC2562021	LOWER SHAFT B ASSY	
12	048030346	RETAINING RING, E3		56	X52664050	LOWER SHAFT BUSHING	
13	137999050	POLYESTER SLIDER		57	X51383050	WASHER,THRUST	
14	XZ0174021	SPRING		58	048060346	RETAINING RING, E6	
15	XC2525021	HORIZONTAL FEED SHAFT		59	137768151	SET SCREW COLLAR	
16	048050346	RETAINING RING, E5		60	014400432	SET SCREW, SOCKET (CP) M4 × 4	
17	X50546050	WASHER,THRUST		61	XC2566021	BUSHING SUPPORTER A	
18	XC2527021	FEED ADJUSTER		62	XC2567021	BUSHING PRESSER A	
19	XC2529020	F GEAR		63	060401616	SCREW, BIND M4 × 16	
20	XC2530021	SPRING		64	XC2569051	NEEDLE PLATE A	
21	137713050	POLYESTER SLIDER		65	XC2570021	STOPPER PLATE	
22	XC2531021	SPRING		66	XC2571021	F GEAR STOPPER PLATE	
23	XC2532021	FPM HOLDER ASSY		67	060260316	SCREW, BIND M2.6 × 3	
24	XC2534021	MOTOR,PULSE:F SMJ35-4840-C		68	X50487051	SCREW M4	
25	XC2587050	RUBBER		69	XC2572021	DROP KNOB	
26	060300516	SCREW, BIND M3 × 5		70	XC2573021	SLIDE SHAFT B	
27	XC3338021	SCREW3 × 8		71	XC2574021	SPRING PLATE	
28	018402532	BOLT,SOCKET M4 × 25		72	X53169050	BAND	
29	XC2537021	SPRING		73	060300416	SCREW, BIND M3 × 4	
30	XC2538021	SPRING					
31	XC2539021	BUSHING SUPPORTER ASSY				FEED MODULE	
32	060400616	SCREW, BIND M4 × 6					
33	XC2542021	BUSHING PRESSER B					
34	060300516	SCREW, BIND M3 × 5					
35	XC3941051	VERTICAL ADJUSTER SCREW ASSY					
36	XC2546021	M5 NUT					
37	XC2547021	SPRING					
38	XC2549021	VERTICAL FEED SHAFT					
39	XC2550021	SPRING					
40	XC2551020	VERTICAL LEVER					
41	XC2552021	SET SCREW COLLAR					
42	014400432	SET SCREW, SOCKET (CP) M4 × 4					
43	048030346	RETAINING RING, E3					
44	XC2553020	VERTICAL SUPPORTING PLATE					









NX400  
08C03HF882S62