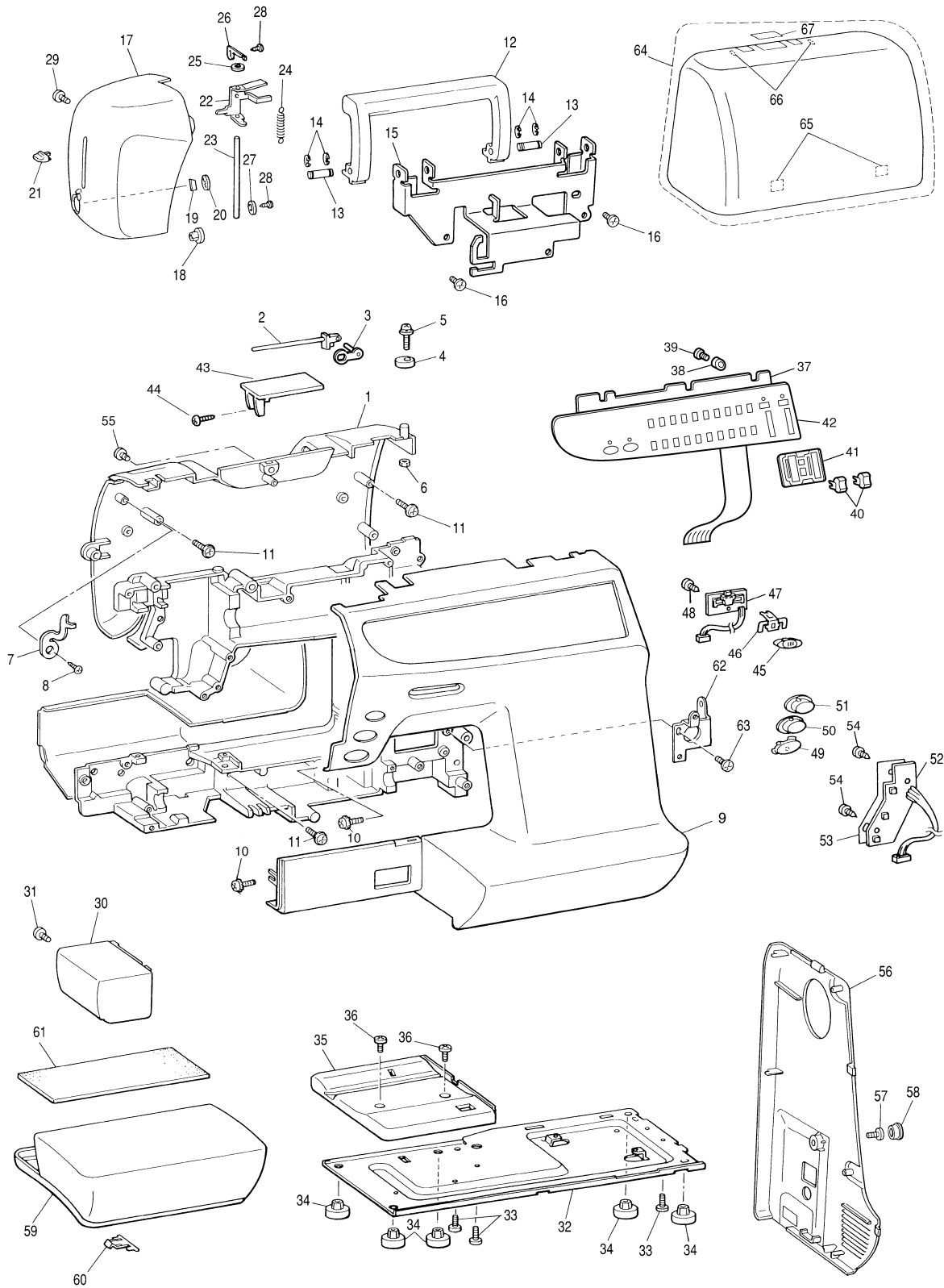


PARTS CATALOGUE FOR
COMPUTERIZED SEWING MACHINE

PC-2800
SUPER ACE III
SUPER ACE SPECIAL EDITION
CS8072

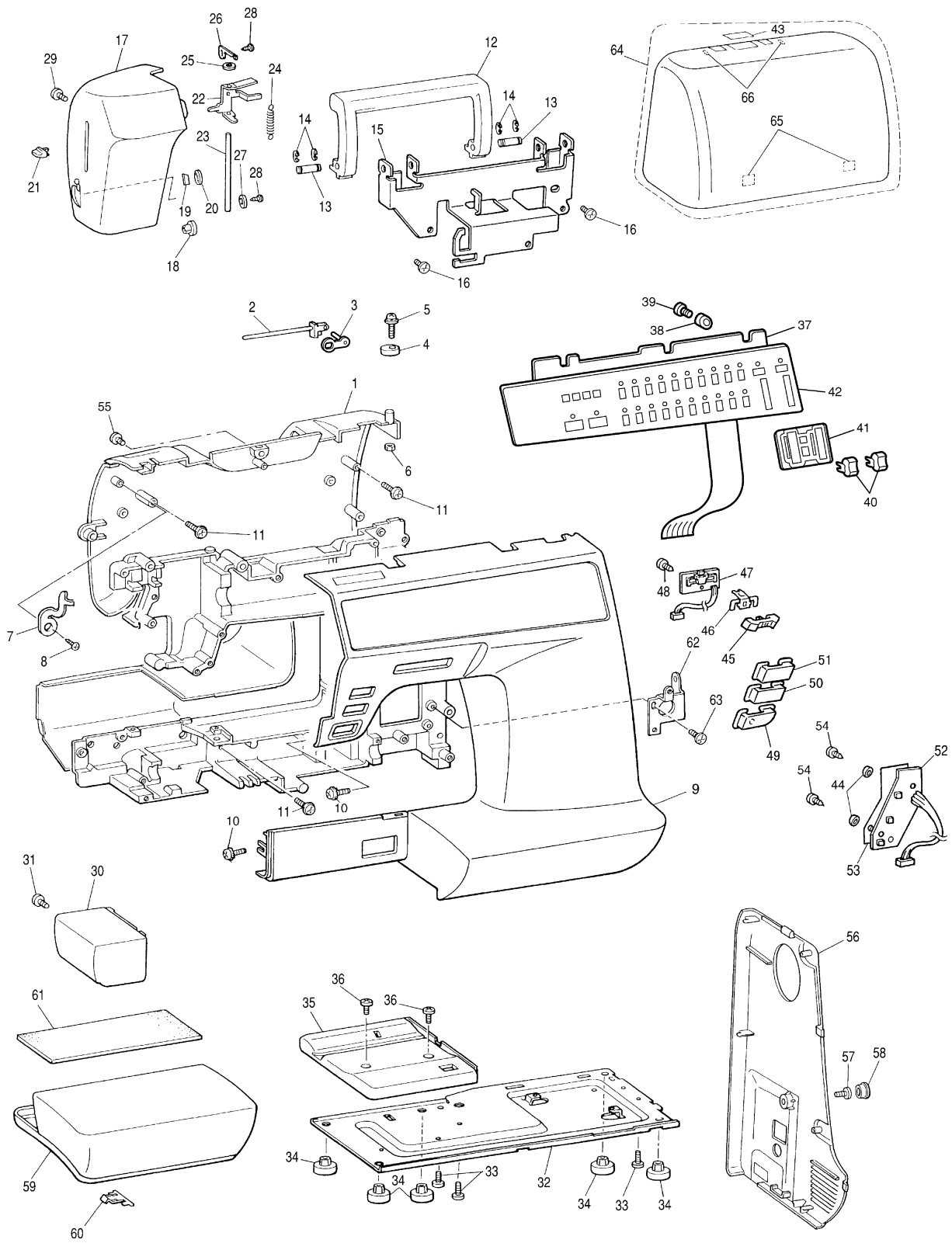
CONTENTS

(1) PRINCIPAL PARTS (PC-2800, SUPER ACE III, CS8072) ...	2
PRINCIPAL PARTS (SUPER ACE SPECIAL EDITION)	4
(2) UPPER SHAFT AND NEEDLE BAR	6
(3) FEED MECHANISM	8
(4) ROTARY HOOK AND THREAD GUIDE	10
(5) LAMP, MAIN PC BOARD ASSEMBLY AND MOTOR UNIT	12
(6) OTHER PARTS	14



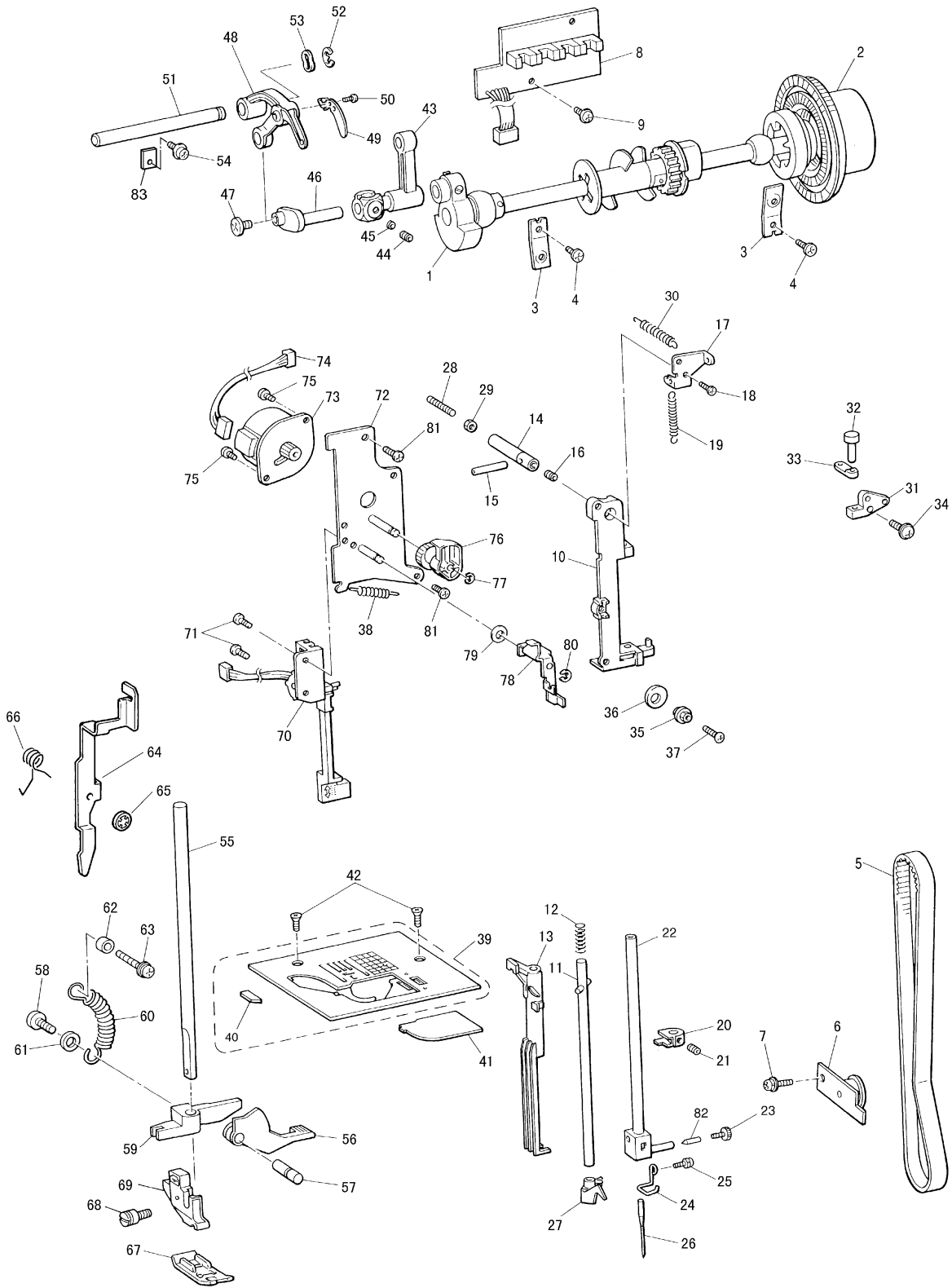
(1) PRINCIPAL PARTS (SUPER ACE SPECIAL EDITION)

No.	CODE	NAME	REMARKS	No.	CODE	NAME	REMARKS
1	XA2880358	Rear cover		45	XA2903051	S key top	
2	X59053051	Spool pin		46	XA2904050	SV connecting block	
3	XA7273051	Spool pin holder ASSY		47	XA4339051	VR PC board ASSY	
4	XA4324051	Bobbin presser		48	136681051	Taptite, Bind B M3 × 8	
5	052301606	Screw, Pan M3 × 16		49	XA2959052	SS button	
6	021300106	Nut, 1 M3		50	XA3492051	Reverse sewing button	
7	XA5508051	Thread guide assist plate		51	XA3493051	NP button	
8	138433051	Taptite, Pan B M3 × 6		52	XA4917051	SS PC board ASSY	
9	XC0914052	Front cover		53	XA2901150	Insulation sheet	
10	U12017051	Screw, Pan (T washer) M3 × 6		54	136681051	Taptite, Bind B M3 × 8	
11	087411415	Taptite, Cup B M4 × 14		55	087411415	Taptite, Cup B M4 × 14	
12	XA2476051	Carrying handle		56	XA4302152	Belt cover	
13	XA2886051	Carrying handle shaft		57	060400616	Screw, Bind M4 × 6	
14	048040346	Retaining ring, E4		58	X50442051	Screw cover	
15	XA2887251	Handle holder		59	XA1816001	Accessory table ASSY	
16	X57908051	Taptite, Bind S M4 × 10		60	138644051	Accessory table notched spring	
17	XA2955152	Face plate		61	X51434050	Sponge	
18	X51895051	Face plate bush		62	XA1820050	Set plate D	
19	X80321051	NT thread cutter ASSY		63	X57908051	Taptite, Bind S M4 × 10	
20	XA0199051	Retaining ring, CSTW-8		64	XA2482051	Case ASSY	
21	XA2943051	Needle thread lever knob		65	125440050	Case felt	
22	XA1801051	Needle thread lever		66	XZ0016050	Case felt	
23	X51469051	Needle thread lever shaft		67	XC3183051	FELT	ADD
24	138260051	Spring, Extension					
25	XC0508050	Washer					
26	XA6320050	Shaft presser plate					
27	XA5525051	Washer					
28	138433051	Taptite, Pan B M3 × 6					
29	060401616	Screw, Bind M4 × 16					
30	XA1803151	Free arm cover					
31	053400806	Screw, Pan (S/P Washer) M4 × 8					
32	XA6188151	Base plate	CHG				
33	X57908051	Taptite, Bind S M4 × 10					
34	XA1805051	Rubber cushion A					
35	XA1806051	Base cover					
36	060400616	Screw, Bind M4 × 6					
37	XC0656051	PCB Assy;Disp 953					
38	XA2220050	Board presser					
39	136681051	Screw					
40	XA2900001	MV-Key top					
41	XA2902001	MV-Cover					
42	XC0915001	Panel decoration plate 954					
43	XA3028051	Decoration plate					
44	XA2220050	Board presser					



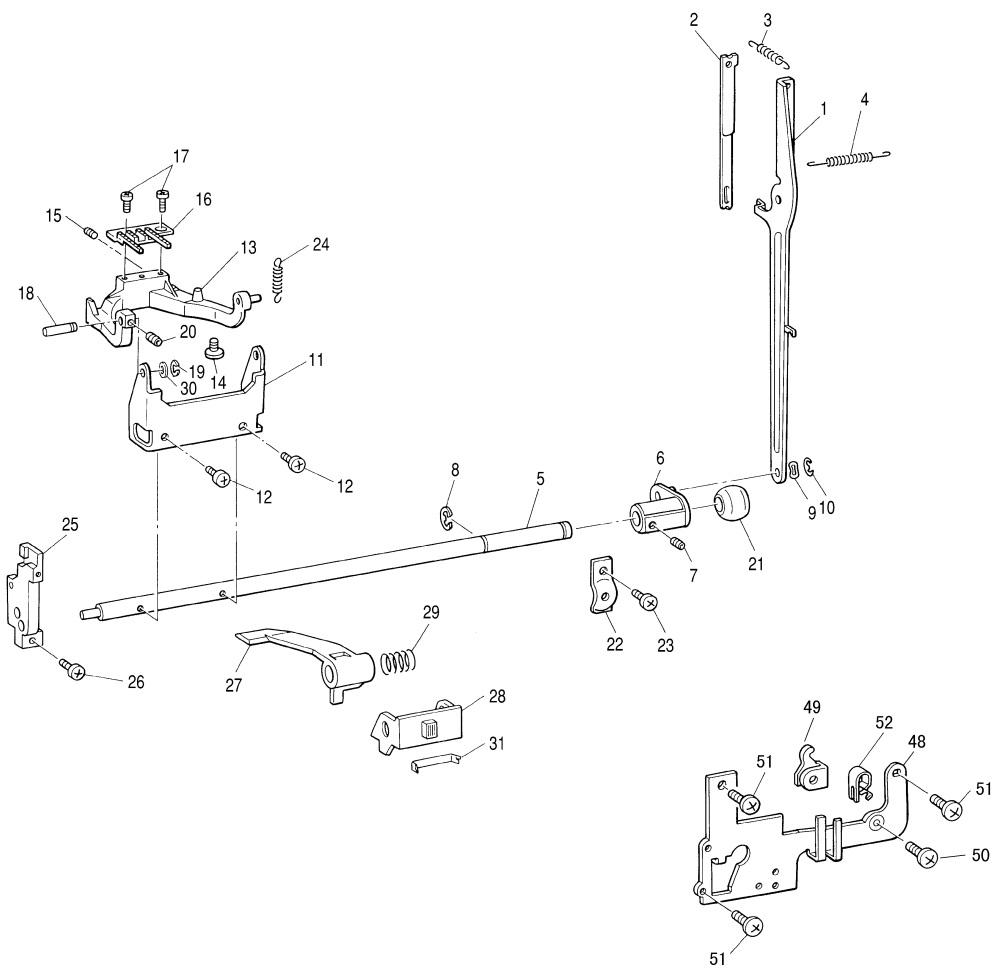
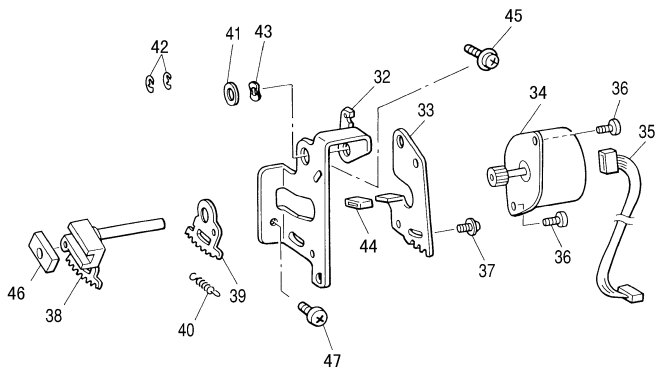
(2) UPPER SHAFT AND NEEDLE BAR

No.	CODE	NAME	REMARKS	No.	CODE	NAME	REMARKS
1	XA4385251	Upper shaft ASSY		45	100507050	Metal plate	
2	X57370051	Pulley		46	XA2389051	Needle bar crank	
3	X52478051	Presser plate A		47	132051052	Screw, Flat SM3.57L	
4	X57908051	Taptite, Bind S M4 × 10		48	XA1862051	Thread take-up lever ASSY	
5	X53125051	Timing belt 176 × L031		49	XA1864050	Thread take-up lever plate	
6	XA1830051	Tension pulley ASSY		50	XA1387051	Screw, Truss M2 × 3	
7	0A5401005	Screw, Pan (S/P Washer) M4 × 10		51	XA1865051	Thread take-up lever stud	
8	XA4922251	ASSY, NP PCB 955	CHG	52	048050346	Retaining ring E5	
9	0A5400805	Screw, Pan (S/P Washer) M4 × 8		53	XA1866051	Washer, Wave spring	
10	XA2198051	Needle bar supporter ASSY		54	X57913051	Taptite, Bind S M4 × 16	
11	XA1839051	Needle threader shaft ASSY		55	XA2509051	Presser bar	
12	129839051	Spring, Compression		56	XA5511051	Presser foot lifter	
13	XA1841001	Needle threader slider		57	XA1869050	Stud for presser foot lifter	
14	XA1842051	Needle bar supporter stud A		58	X52760051	Set screw, Pan M6 × 12	
15	X56551050	Needle bar supporter stud C		59	XA1871151	Presser bar clamp	
16	014400432	Set screw, Socket (CP) M4 × 4		60	137736051	Spring	
17	XA1843150	Set plate		61	XA5524051	Washer, plain	
18	060300616	Screw, Bind M3 × 6		62	XA1875051	Spacer	
19	X57758051	Spring, Extension		63	XA0649051	Tapitite, Cup S M4 × 14	
20	X55983150	Needle threader position setter		64	XA4838151	Tension releaser C	
21	012400432	Set screw, Socket (FT) M4 × 4		65	120454051	Retaining ring CS4	
22	XA1849151	Needle bar ASSY		66	XA5931051	Spring	
23	XZ0002051	Screw		67	137748101	Zigzag presser foot	
24	XA1851000	Needle bar thread guide		68	XA4813051	Screw	
25	XA1387051	Screw, Truss M2 × 3		69	129855001	Presser holder ASSY	
26	117914014	Needle HA × 130		70	XA1882051	BH switch plate ASSY	
27	XA1854001	Threader hook ASSY		71	060300816	Screw, Bind M3 × 8	
28	014401632	Set screw, Socket (CP) M4 × 16		72	XA1989151	ZPM holder ASSY	
29	X56851051	Nut		73	Z26291081	BP483523LM26ZPM	
30	XA1856051	Spring, Extension		74	XA2921051	ZPM lead wire ASSY	
31	XA1857051	Needle bar supporter stud holder		75	060300416	Screw, Bind M3 × 4	
32	X57647051	Needle bar supporter stud		76	XA1995000	Zigzag cam	
33	XA7996051	Needle bar supporter arm		77	048030346	Retaining ring E3	
34	052401406	Screw, Pan (S/P Washer) M4 × 14		78	XA5515151	Zigzag lever	
35	X50559050	Nut		79	X53027050	Thrust washer	
36	XA1860150	Washer		80	048030346	Retaining ring E3	
37	062301006	Screw, Pan M3 × 10		81	X57908051	Taptite, Bind S M4 × 10	
38	XA1861051	Spring, Extension		82	XA5718151	NEEDLE CLAMP PIN	040213
39	XA2916051	Needle plate ASSY		83	X50532051	Presser plate	
40	X80321051	NT thread cutter ASSY					
41	X56828151	Needle plate cover					
42	X50487051	Screw					
43	X52650151	Needle bar crank rod ASSY					
44	014680432	Set screw, Socket (CP) SM4.37					



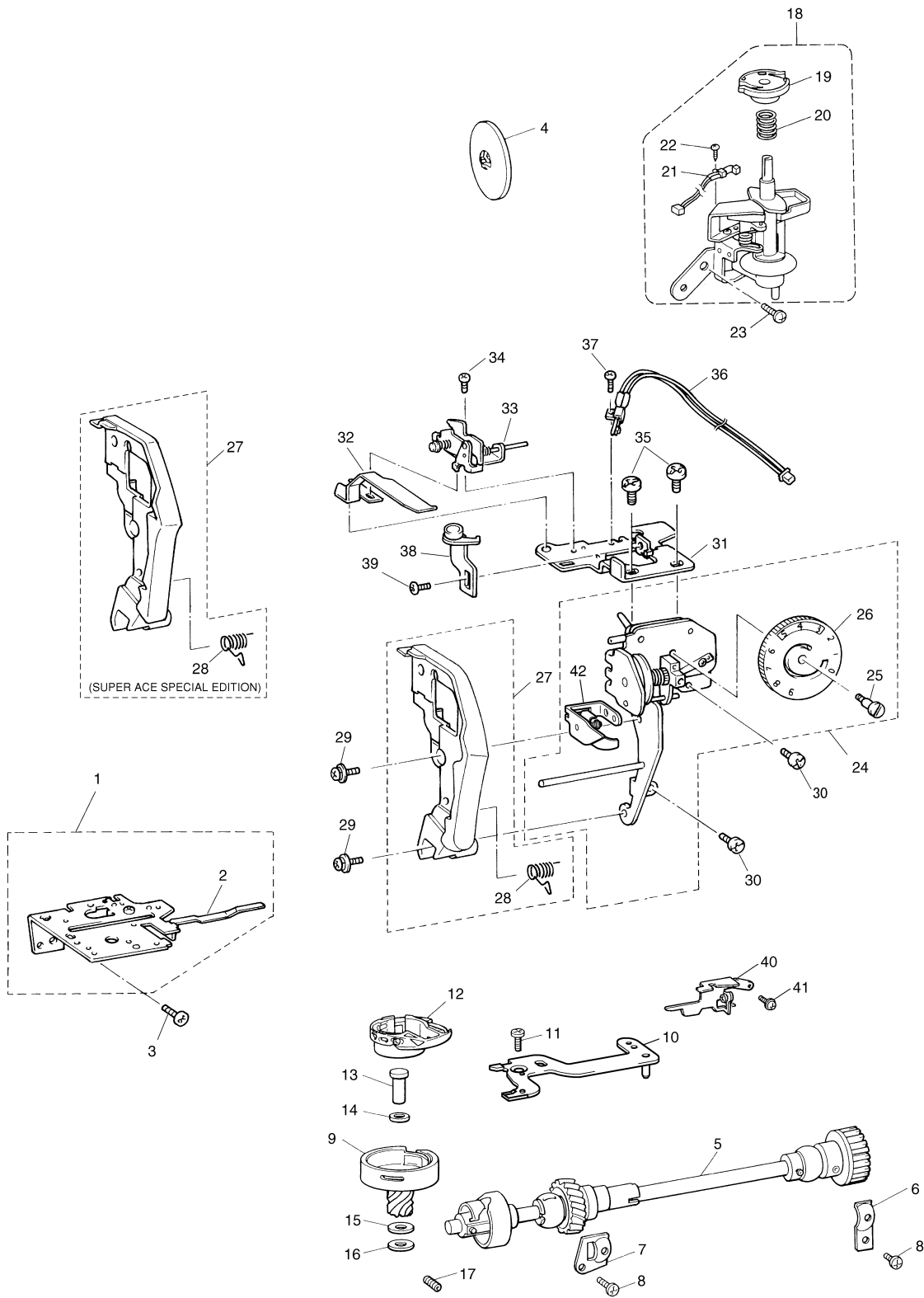
(3) FEED MECHANISM

No.	CODE	NAME	REMARKS	No.	CODE	NAME	REMARKS
1	XA1895051	Feed rod ASSY		45	XA0649051	Taptite, Cup S M4 × 14	
2	XA2185050	Feed rod supporting plate		46	XA1927051	Feed regulator slide block	
3	XA1898001	Spring, Extension F		47	X57908051	Taptite, Bind S M4 × 10	
4	XA1899001	Spring, Extension S		48	XA2942051	SPM holder	
5	XA1901250	Horizontal feed shaft		49	XA4376051	Horizontal feed shaft fixed plate	
6	XA1902051	Horizontal feed arm ASSY		50	060300416	Screw, Bind M3 × 4	
7	014500532	Set screw, Socket (CP) M5 × 5		51	X57908051	Taptite, Bind S M4 × 10	
8	048060346	Retaining ring E6		52	XA1935051	Spring, Plate	
9	X59915051	Washer, Wave spring					
10	048050346	Retaining ring E5					
11	XA1905051	Horizontal feed plate					
12	060400816	Screw, Bind M4 × 8					
13	XA1907051	Feed stand					
14	X59916051	Screw					
15	012400432	Set screw, Socket (FT) M4 × 4					
16	XA4980051	Feed dog					
17	060300516	Screw, Bind M3 × 5					
18	XA1910051	Feed bar shaft					
19	048025346	Retaining ring E2.5					
20	014400432	Set screw, Socket (CT) M4 × 4					
21	X52664050	Horizontal feed shaft bushing					
22	132421051	Bushing presser					
23	X57908051	Taptite, Bind S M4 × 10					
24	XA1911051	Spring, Extension					
25	XA1912050	Horizontal-feed shaft supporter					
26	052401406	Screw, Pan (S/P Washer) M4 × 14					
27	XA2526051	Drop plate					
28	XA1914051	Drop knob					
29	XA2199051	Spring, Compression					
30	137977050	Washer					
31	XA2200050	Spring, Plate					
32	XA1916050	FPM holder A					
33	XA1917050	FPM holder B					
34	Z26303081	BP483523LM28FPM					
35	XA2046051	FPM lead wire ASSY					
36	060300416	Screw, Bind M3 × 4					
37	0A4400806	Screw, Pan (S/P Washer) M4 × 8					
38	XZ0017051	Feed regulator ASSY					
39	XA1922151	F gear					
40	XA2972051	Spring, Extension					
41	X53330050	Washer					
42	048050346	Retaining ring E5					
43	X59915051	Washer, Wave spring					
44	XA2189050	Rubber					



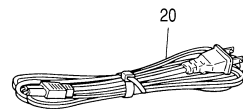
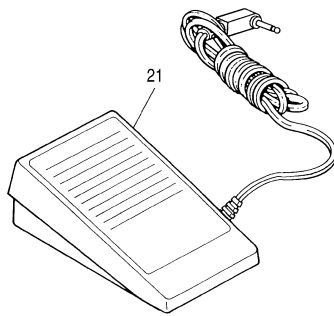
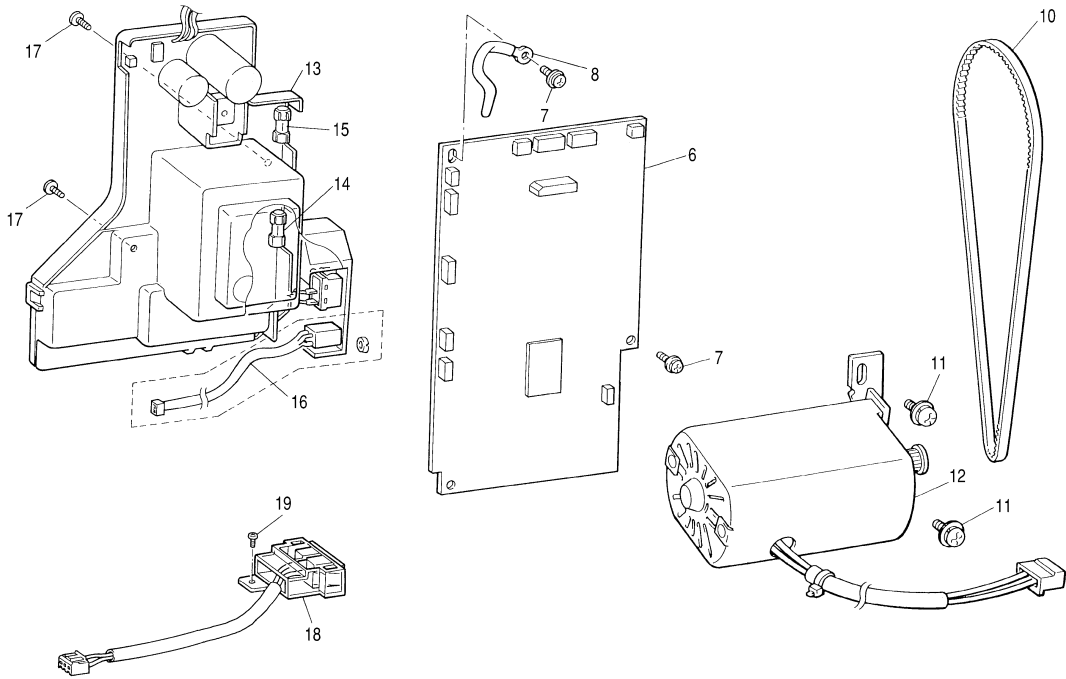
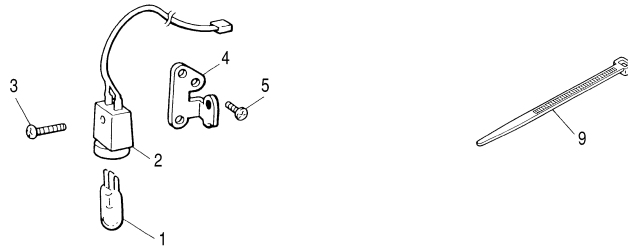
(4) ROTARY HOOK AND THREAD GUIDE

No.	CODE	NAME	REMARKS	No.	CODE	NAME	REMARKS
1	XA4828051	Lower thread guide ASSY		43	XA1980051	PHOTO DIODE ASSY	CHG
2	XA5558151	Lower thread guide arm ASSY		44	XC3183051	FELT	ADD
3	060400816	Screw, Bind M4 × 8					
4	X55260152	Spool cap (Medium)					
5	XA5474051	Lower shaft ASSY					
6	132421051	Bushing presser R					
7	XA1975051	Bushing presser L					
8	X57908051	Taptite, Bind S M4 × 10					
9	XA2855151	Outer rotaty hook ASSY					
10	XA5869002	Inner rotaty hook bracket ASSY					
11	060400816	Screw, Bind M4 × 8					
12	XA3353251	Inner rotaty hook ASSY					
13	XA0360151	OUTER ROTERY HOOK SHAFT	CHG				
14	XA2190050	Washer U					
15	XA2190050	Washer U					
16	XA0362051	Washer					
17	014400632	Set screw, Socket (CP) M4 × 6					
18	XA4311151	Bobbin winder ASSY					
19	XA2951051	Bobbin base ASSY					
20	XA2696051	Spring, Compression					
21	XA8490051	Bobbin winder switch ASSY					
22	062260516	Screw, Pan M2.6 × 5					
23	X57908051	Taptite, Bind SM4 × 10					
24	XA9927051	Thread guard ASSY					
25	X59984051	Tension dial shaft					
26	X59985154	Tension dial					
27	XA5455151	Thread guard cover ASSY					
	XA4924151	Thread guard cover ASSY for SUPER ACE SPECIAL EDITION					
28	XA2022051	SPRING	CHG				
29	052300606	Screw, Pan (S/P Washer) M3 × 6					
30	X57908051	Taptite, Bind S M4 × 10					
31	XA5473051	Thread guard holder ASSY					
32	XA4850050	Thread guard plate					
33	XA4851051	Thread tension ASSY					
34	060300616	Screw, Bind M3 × 6					
35	060400416	Screw, Bind M4 × 4					
36	X57715051	PF Switch ASSY					
37	062260516	Screw, Pan M2.6 × 5					
38	XA4839051	Bobbin winder thread guide ASSY					
39	060300416	Screw, Bind M3 × 4					
40	XA2935051	Thread guide plate					
41	060300616	Screw, Bind M3 × 6					
42	XA7805051	Thread brake plate ASSY					



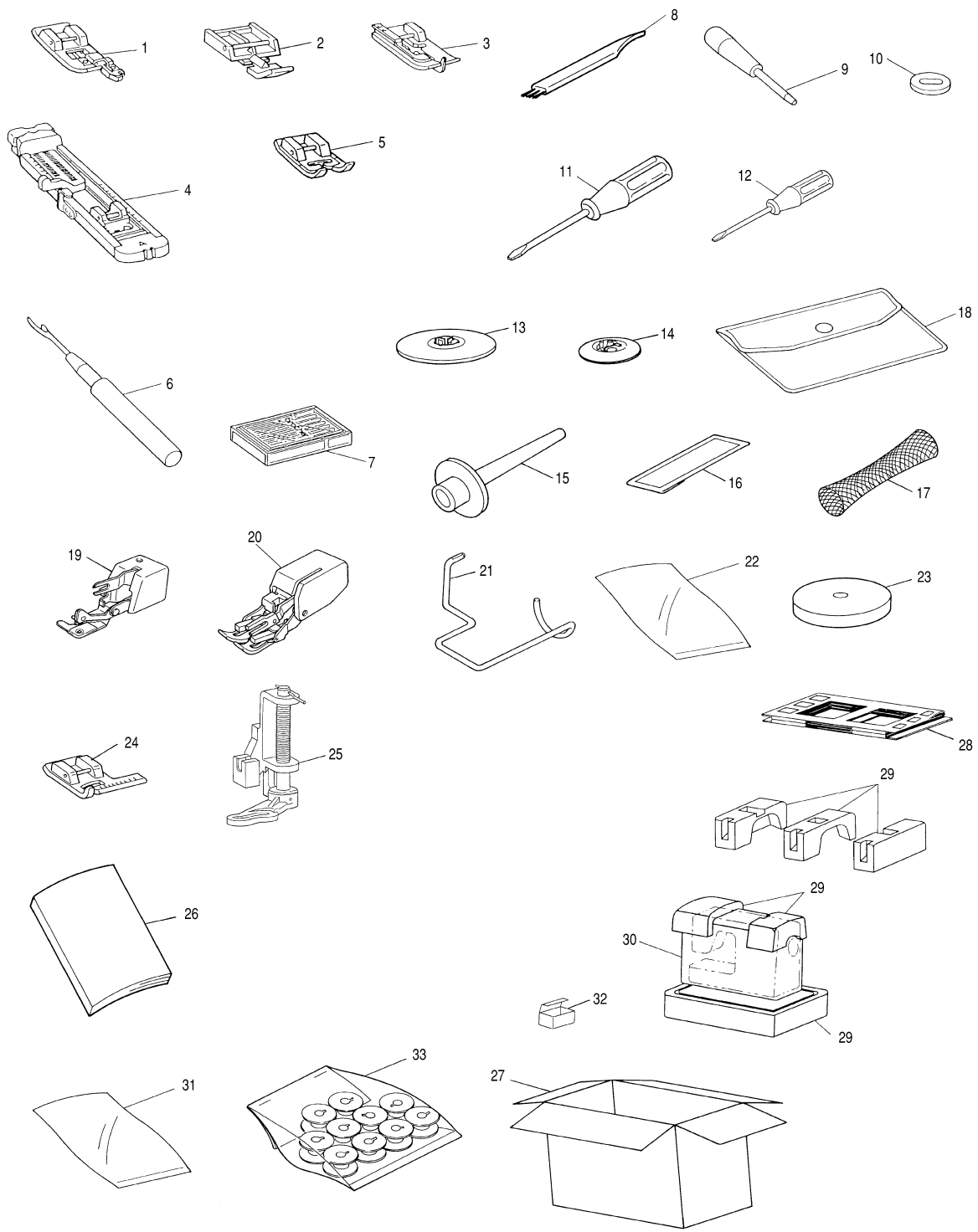
(5) LAMP, MAIN PC BOARD ASSEMBLY AND MOTOR UNIT

No.	CODE	NAME	REMARKS
1	XA2037051	WB sew-light bulb	
2	XA2038051	WBL socket ASSY	
3	002261205	Screw, Pan M2.6 × 12	
4	XA2040051	Lamp holder	
5	060300416	Screw, Bind M3 × 4	
6	XC0612251	MAIN PC BOARD ASSY 953	040101
7	052300606	Screw, Pan (S/P Washer) M3 × 6	
8	137947001	Coating clip CS-1	
9	X53169050	Band	
10	XA2992051	Timing belt B173 XXL4.8	
11	537235051	Screw, Pan (S/P Washer) M5 × 12	
12	XA3332251	MOTOR : MM-512-21	CHG
	XA3356251	MOTOR : MM-512-51	CHG
13	X81303051	Power supply unit ASSY for 120V	
	X81304051	Power supply unit ASSY for 230V	
14	XA4871051	G fuse 3.15AA for 120V	
	XA1463051	G fuse 2AB for 230V	
15	XA4872051	G fuse 3.15AB for 120V	
	XA0233051	G fuse 5AB for 230V	
16	X81043001	Pin jack ASSY for 120V	
	X81046051	PIN JACK ASSY FOR 230V	CHG
17	XA1653051	Screw, Bind M4 × 20	
18	XA5404151	Inlet ASSY for 120V	
	XA5410151	Inlet ASSY for 230V	
19	060400616	Screw, Bind M4 × 6	
20	XC6052051	POWER SUPPLY CORD : UL CSA-LF	CHG
	XA0070151	POWER SUPPLY CORD FOR EUROPE	CHG
	XC9548051	POWER SUPPLY CORD : SAA-LF (AUSTRALIA, NEW ZEALAND)	040186
	X59354151	POWER SUPPLY CORD-BS, (U.K.)	CHG
21	XC6651151	FOOT CONTROLLER : FC-313-81-LF	
	XD0496051	FOOT CONTROLLER : FC-313-LF-EU	050033
22	XA2401050	WASHER	ADD
23	225833051	BUFFER RUBBER	ADD
24	236149001	PULLEY FLANGE	ADD



(6) OTHER PARTS

No.	CODE	NAME	REMARKS	No.	CODE	NAME	REMARKS
1	XC3098051	OVERCASTING STITCH FOOT ASSY	CHG	33	XA3811051	Bobbin (10 set), UPC	
2	X59370051	Zipper foot "I"			XA3812051	Bobbin (10 set), EAN	
3	X56409051	BLIND STITCH FOOT ASSY	CHG	29	X60678051	BAG 700X630H	ADD
4	X57789151	BH PRESSER FOOT	CHG				
5	137988101	Monogramming foot "N"					
6	X54243001	Seam ripper					
7	X58358001	Needle set					
8	X59476051	Cleaning brush					
9	135793001	Eyelet punch					
10	XA2005051	Disc-shaped screwdriver					
11	X55467051	Screwdriver (Large)					
12	X55468051	Screwdriver (Small)					
13	130012053	Spool cap (Large)					
14	130013053	Spool cap (Small)					
15	XA3336051	Extra spool pin					
16	X59296151	TWIN NEEDLE (1PC)	CHG				
17	XA5523050	Net					
18	XC4487051	ACCESSORY BAG	CHG				
19	X81028001	Side cutter					
20	X81065001	Walking foot					
21	XA3412001	Finger guard					
22	XA0188050	Bag, 240 × 355H					
23	X57045051	Spool felt					
24	X51804001	Stitch guide foot "P"					
25	XA4322001	Quilting foot					
26	194953111	INSTRUCTION MANUAL (ENGLISH)	CHG				
	194953012	Instruction manual (Spanish)					
	194953013	Instruction manual (German)					
	194953014	Instruction manual (Dutch)					
	194953015	Instruction manual (French)					
	194953016	Instruction manual (Italian)					
27	X61711051	Carton for PC-2800	CHG				
	XC3302051	COLOR CARTON FOR CS8072	ADD				
	X61613051	Carton for New Zealand	ADD				
	X61614051	Carton for SUPER ACE III					
	X61638051	Carton for SUPER ACE SPECIAL EDITION					
28	X61138050	Pad					
29	X61159150	962 SF ASSY					
30	X60439151	BAG 630X630T	CHG				
31	160670050	Bag, 150 × 350					
32	X61014050	Carton, Accessory					



PC-2800
SUPER ACE III
SUPER ACE SPECIAL EDITION
CS8072
H1060197
Printed in JAPAN