

**PARTS CATALOGUE FOR
COMPUTERIZED SEWING MACHINE**

NC21-S2, S3 Model

CS8000 Series

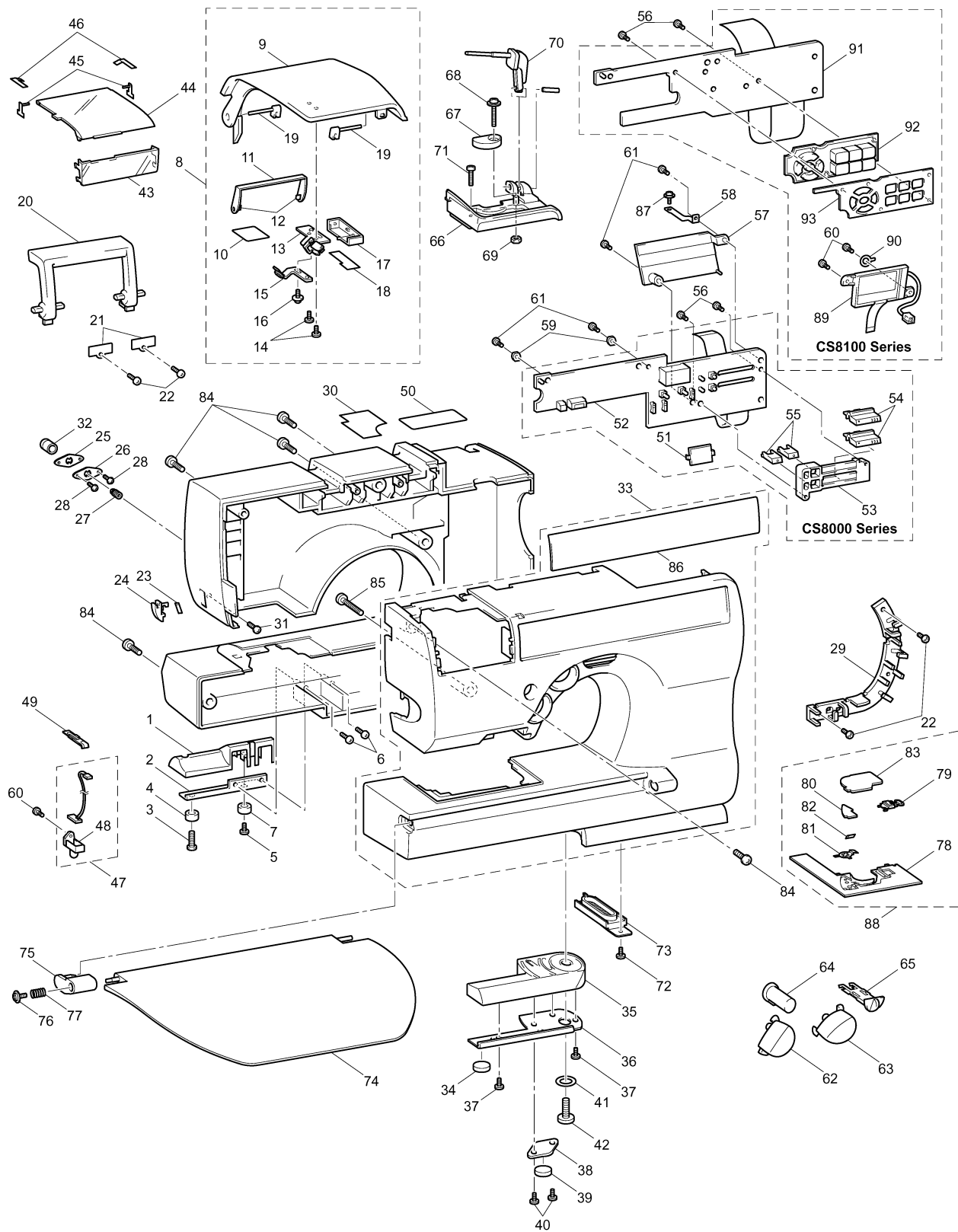
CS8100 Series

CONTENTS

(1) PRINCIPAL PARTS.....	2
(2) UPPER SHAFT / NEEDLE BAR, PRESSER MECHANISM.....	6
(3) FEED, ROTARY HOOK / ROTARY HOOK DRIVE MECHANISM.....	8
(4) BOBBIN WINDER MECHANISM	10
(5) THREAD GUIDE MECHANISM.....	12
(6) THREAD HOOK MECHANISM	14
(7) ELECTRONIC PARTS / MOTOR UNIT	16
(8) ATTACHMENTS / PACKING MATERIALS / PRINTED MATTER	18
NEEDLE-PRESSER MODULE.....	24
FEED MODULE	26

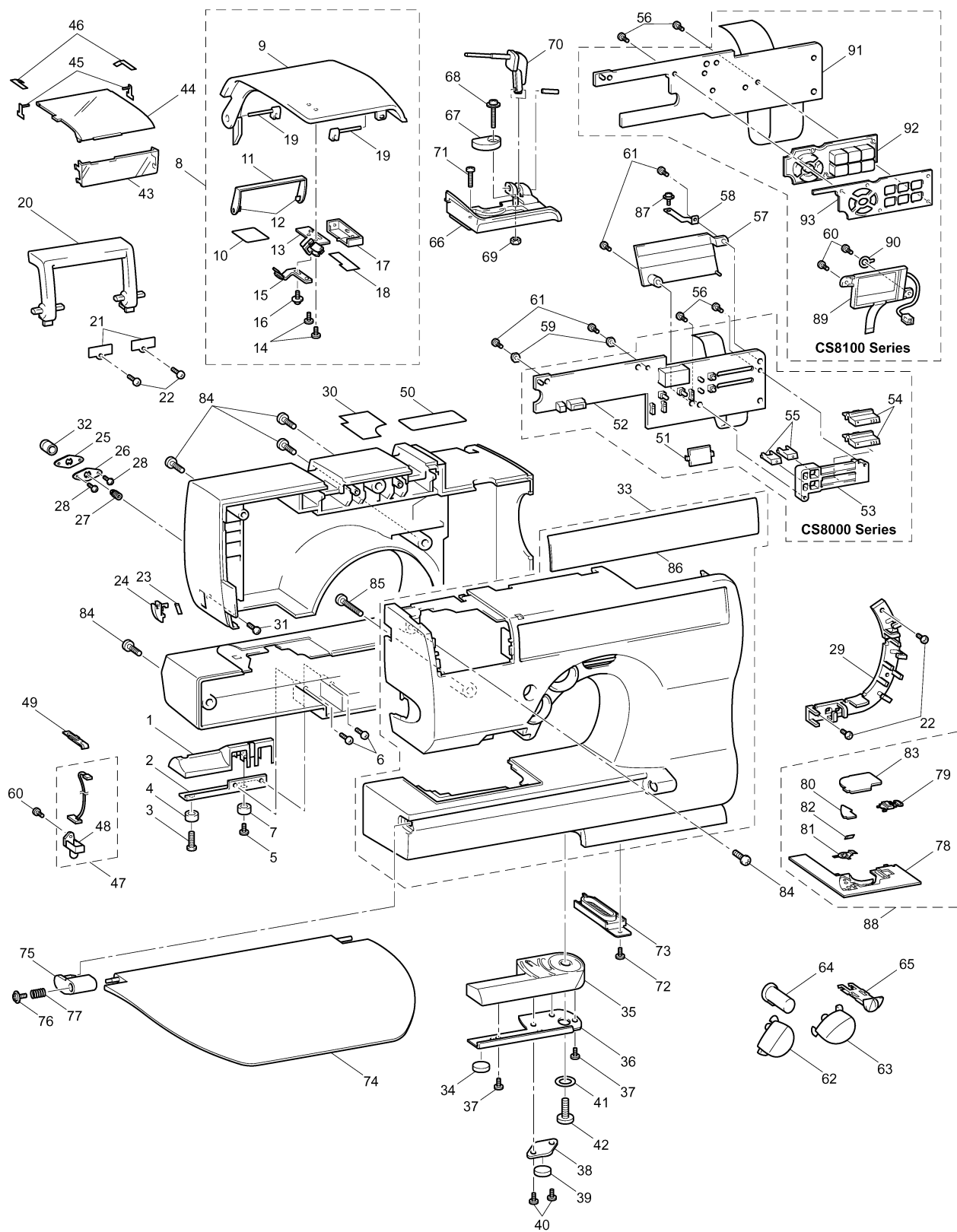
(1) PRINCIPAL PARTS

No.	CODE	NAME	REMARKS	No.	CODE	NAME	REMARKS
1	XC3469021	BASE COVER B		38	XC4302021	RUBBER CUSHION PLINTH	
2	XC3470021	BASE PLATE B		39	XC4077021	BASE PLATE RUBBER	CHG
3	XC3471021	ADJUSTING SCREW		40	085311015	SCREW, BIND B TITE 3 × 10	
4	XC3472021	BASE PLATE RUBBER		41	XC3495021	BASE COVER WASHER	
5	085310815	TAPTITE, BIND B M3 × 8		42	XC3496021	GIZA TITE 5 × 16	CHG
6	060401216	SCREW 4 × 12		43	XC3497021	FRONT COVER FOR CASSETTE	
7	XC4077021	BASE PLATE RUBBER	CHG	44	XC3498021	CASSETTE COVER	
8	XC5265121	BOBBIN WINDER COVER ASSY	040138/149	45	XC3499021	COVER LINK PLATE ASSY	
9	XC3473121	BOBBIN WINDER COVER	040138	46	XC3502020	LINK HOLD PLATE	
10	XC5266021	THREAD GUIDE SEAL		47	XC4730121	PCB UNIT:LED LAMP-SR (CS8000)	CHG
11	XC4062121	BOBBIN WINDER COVER SUPPORTER	040138		XC5296021	PCB UNIT:LED LAMP-S3R (CS8100)	
12	XC7682020	BOBBIN WINDER COVER NOTCH	040138	48	XC3506021	LED LAMP HOLDER R	
13	XC3677021	THREAD TENSION PLATE	050223	49	XC3710021	LED COVER	
14	085310815	TAPTITE, BIND B M3 × 8		50	XC9311021	CASSETTE CAUTION SEAL	040156
15	XC3676021	THREAD TENSION ASSY		CS8000 (#51-#56)			
16	0A4300605	SCREW, PAN (S/P WASHER) M3 × 6		51	XC5220021	7-LED COVER (CS8000)	
17	XC4212021	THREAD TENSION COVER		52	XC6341021	OPERATION PCB S2 ASSEMBLY	
18	XC4574021	THREAD TENSION COVER SEAL		53	XC5221021	VR HOLDER (CS8000)	
19	XC3475020	SHAFT FOR BOBBIN WINDER COVER		54	XC5222021	SV KEY TOP (CS8000)	
20	XC3476021	HANDLE		55	XC5223021	SW BUTTON (CS8000)	
21	XC3477021	HANDLE FIXED PLATE					
22	085311215	SCREW, BIND B TITE 3 × 12	CHG	56	085310815	TAPTITE, BIND B M3 × 8 (CS8100)	
23	X80321021	NT LOWER THREAD CUTTER	040083	57	XC4754021	PCB COVER	
24	XC3478021	CUTTER COVER		58	XC5469021	FRONT COVER HOLDER	
25	XC3479021	ADJUSTING PLATE		59	XC6363021	BOARD PRESSER	CHG
26	XC3480021	PLATE SPRING		60	085311015	SCREW, BIND B TITE 3 × 10	
27	XC4053021	ADJUSTING SCREW		61	085311215	TAPTITE, BIND B M3 × 12	
28	XC5161021	GIZA TITE M4 × 10	CHG	62	XC3507022	SS BUTTON	
29	XC3854021	LEAD WIRE GUIDE		63	XC3508021	BACKSTITCHING BUTTON	
30	XC4575021	BOBBIN WINDER SEAL		64	XC3509021	NP BUTTON	
31	085310815	TAPTITE, BIND B M3 × 8		65	XC3511021	SV KEY TOP	
32	XC4806020	ARM CAP		66	XC3513021	BOBBIN WINDER PLATE	
33	XC6043021	FRONT COVER SUPPLY ASSY	CHG	67	XC3514121	BOBBIN PRESSER	040153
		(CS8060 : EUROPE)		68	0A4302506	SCREW, PAN (S/P WASHE) M3 × 25	CHG
	XC6043022	FRONT COVER SUPPLY ASSY (CS8070)		69	021300205	NUT, 2 M3	050171
	XC6043024	FRONT COVER SUPPLY ASSY	CHG	70	XC3474021	LOWER THREAD PIN	
		(CS8060 : U.S.A & CANADA)		71	060301206	SCREW, BIND M3 × 12	
	XC6045021	FRONT COVER SUPPLY ASSY (CS8120)		72	085310815	TAPTITE, BIND B M3 × 8	
	XC6045022	FRONT COVER SUPPLY ASSY (CS8130)		73	XC3515021	BASE COVER	
	XC6046021	FRONT COVER SUPPLY ASSY (CS8150)		74	XC3517022	FLAP TABLE	
34	XC4077021	BASE PLATE RUBBER	CHG	75	XC3518021	TABLE BEARING	
35	XC3493021	BASE COVER A		76	087310816	TAPTITE, CUP B M3 × 8	
36	XC3494021	BASE PLATE A		77	XC3519021	SPRING, COMPRESSION	
37	085310815	TAPTITE, BIND B M3 × 8		78	XC3521021	NEEDLE PLATE B	



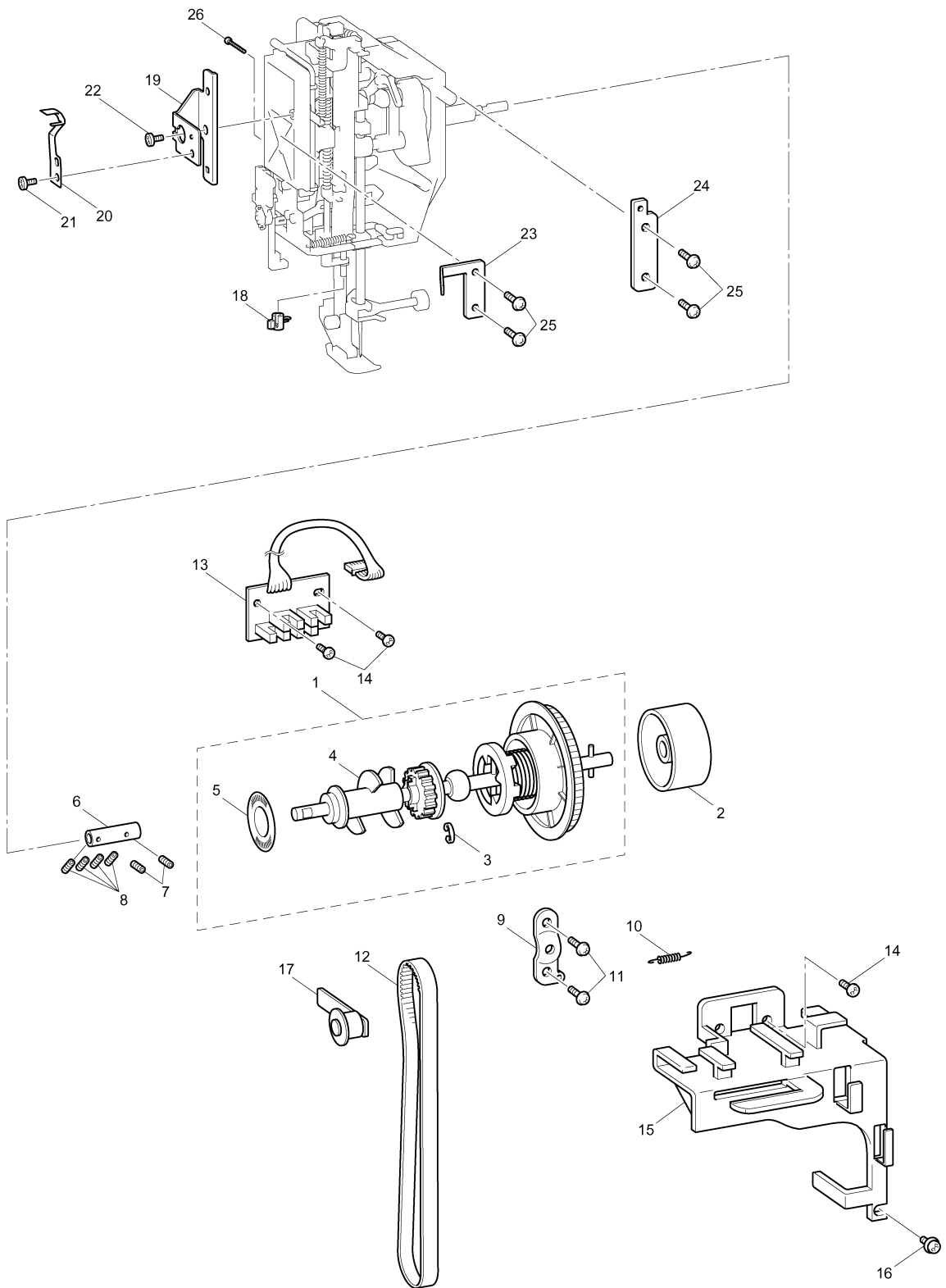
(1) PRINCIPAL PARTS

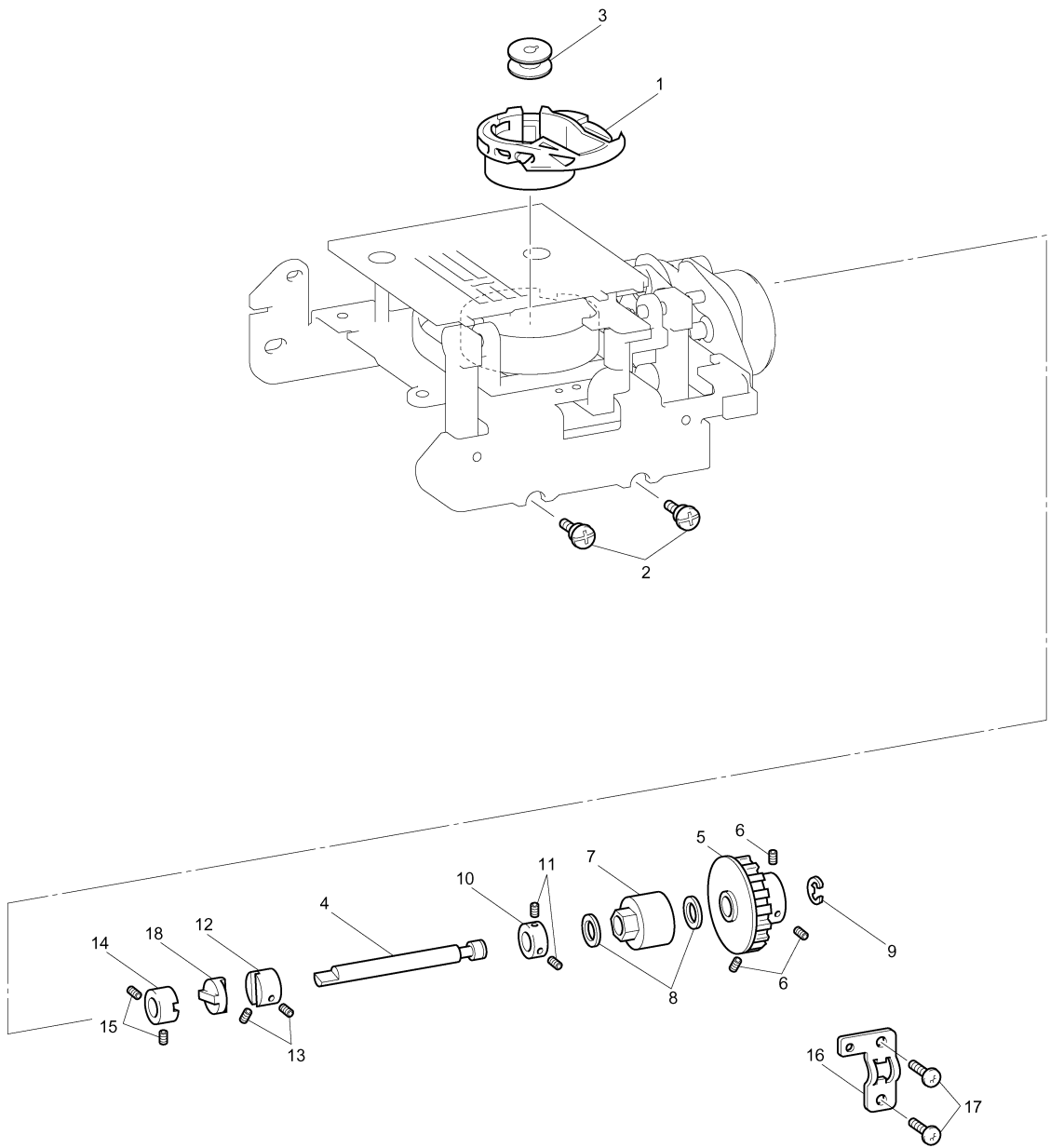
No.	CODE	NAME	REMARKS
79	XC7371021	SLIDE BUTTON	CHG
80	XC2367021	CUTTER COVER	CHG
81	XC2368021	SPRING PLATE	CHG
82	X80321021	NT LOWER THREAD CUTTER	040083
83	XD1645051	NEEDLE PLATE COVER SUPPLY ASSY	050259
84	XC3496021	GIZA TITE 5 × 16	CHG
85	XC5401021	GIZA TITE 3 × 32	CHG
86	XC5218022	PANEL DECORATION PLATE (CS8060 for U.S.A & CANADA)	CHG
	XC5218021	PANEL DECORATION PLATE (CS8060)	
	XC5218023	PANEL DECORATION PLATE (CS8070)	
	XC5385022	DECORATION PANEL (CS8150)	
	XC5385021	DECORATION PANEL (CS8120)	
	XC5385023	DECORATION PANEL (CS8130)	
87	0A4300605	SCREW, PAN (S/P WASHER) M3 × 6	
88	XC3520021	NEEDLE PLATE B ASSY	ADD
CS8100 (#51-#56)			
89	XC6328021	SINGLE LIGHT GUIDE SUPPLY ASSY	
90	XC5384020	PCB HOLD PLATE (CS8100)	
91	XC6344021	OPERATION PCB S3 ASSEMBLY	
92	XC5128021	RUBBER KEY (CS8120)	CHG
	XC5128022	RUBBER KEY (CS8130)	ADD
	XC5128023	RUBBER KEY (CS8150)	ADD
93	XC5383021	RUBBER KEY HOLDER (CS8100)	
NEW SPEC			
33	XC6043023	FRONT COVER SUPPLY ASSY(CS8080)	ADD
	XC6043025	FRONT COVER SUPPLY ASSY(CS80)	ADD
86	XC5218024	PANEL DECORATION PLATE (CS8080)	ADD
	XC5218026	PANEL DECORATION PLATE (CS80)	ADD

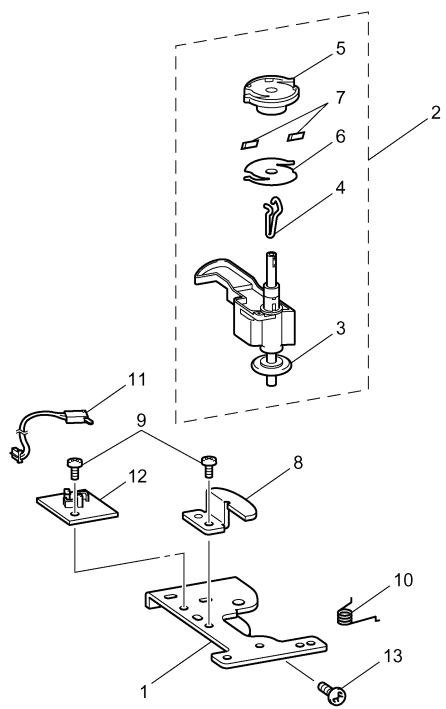


(2) UPPER SHAFT / NEEDLE BAR, PRESSER MECHANISM

No.	CODE	NAME	REMARKS
UPPER SHAFT MECHANISM			
1	XC5436021	UPPER SHAFT SUPPLY ASSY	
2	XC3529021	PULLEY	
3	048060346	RETAINING RING, E6	
4	XC3532021	TIMING SHUTTER	
5	XC3533021	SPEED SHUTTER	
6	XC2383021	FIXED JOINT	
7	012500532	SET SCREW, SOCKET (FT) M5 × 5	
8	014400432	SET SCREW, SOCKET (CP) M4 × 4	
9	XC3534121	UPPER SHAFT BEARING PRESSER	
10	XA1899021	SPRING (CS8100)	
11	XC3496021	GIZA TITE 5 × 16	CHG
12	XC3536021	T BELT 453-3GT-6	
13	XC3537121	ASSY:NP PCB-S	CHG
14	085311015	TAPTITE, BIND B M3 × 10	
15	XC4691021	SHUTTER COVER	
16	060300416	SCREW, BIND M3 × 4	
17	XC3540021	TENSION PULLEY ASSY	
NEEDLE BAR, PRESSER MECHANISM			
18	XC3568151	THREAD HOOK ASSY	
19	XC3573021	CASSETTE GUIDE PLATE	
20	XC3841021	PRESSER PLATE SPRING	
21	060300416	SCREW, BIND M3 × 4	
22	085310615	TAPTITE, BIND B M3 × 6	
23	XC3575021	PRESSER PLATE	
24	XC3576021	UPPER SHAFT BUSHING PRESSER	
25	XC3496021	GIZA TITE 5 × 16	CHG
26	062301205	SCREW, PAN M3 × 12	

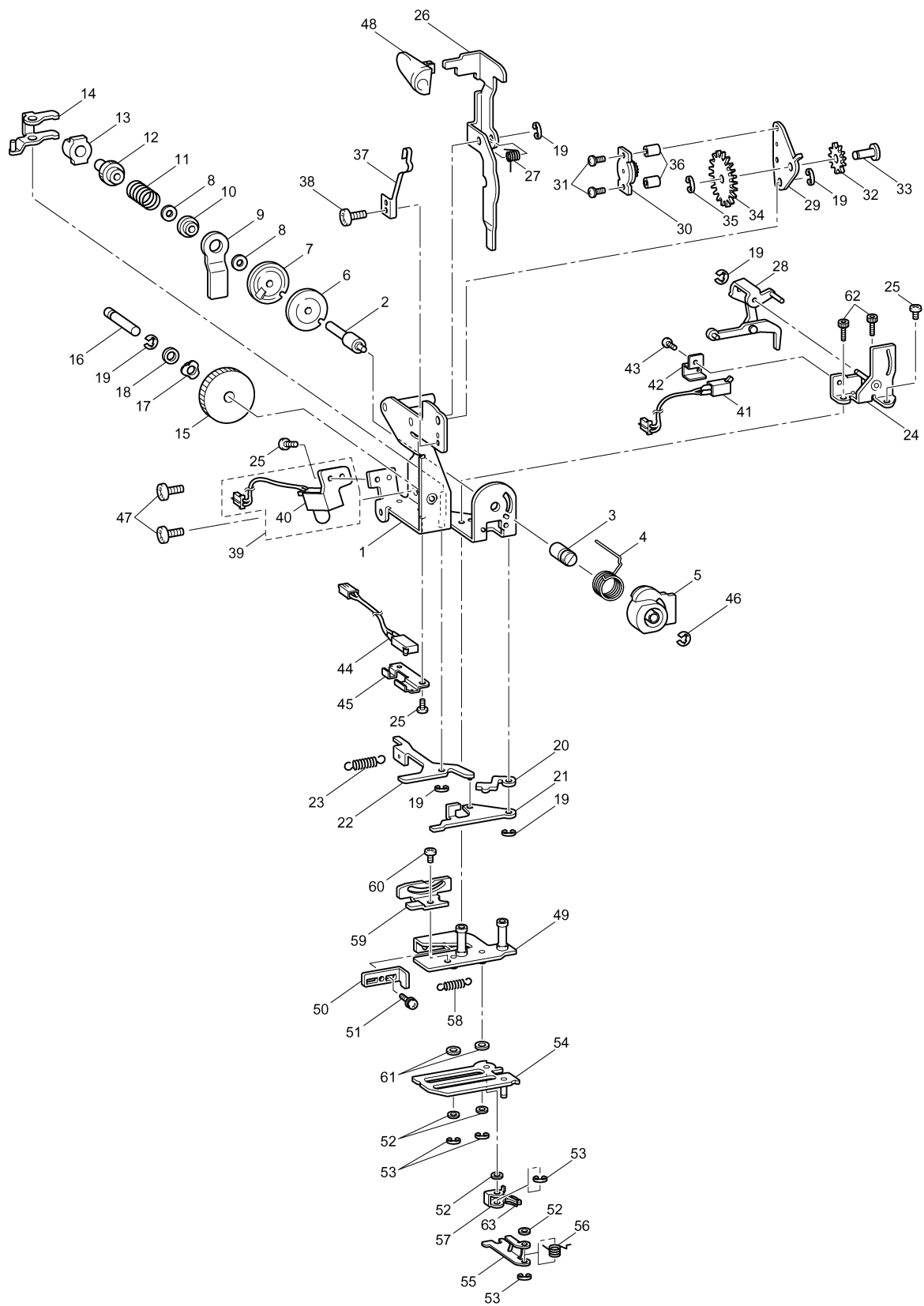






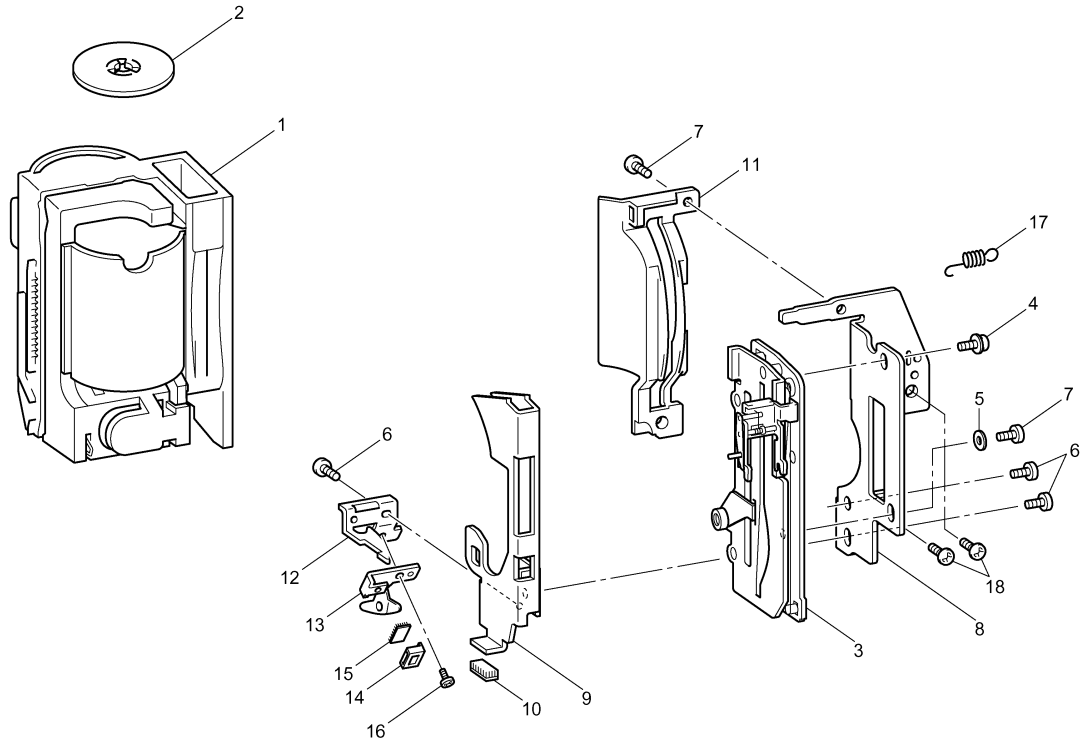
(5) THREAD GUIDE MECHANISM

No.	CODE	NAME	REMARKS	No.	CODE	NAME	REMARKS
1	XC3605021	THREAD TENSION HOLDER ASSY		44	XC4041021	ASSY:PFSW-S	
2	XC3610021	THREAD TENSION SHAFT		45	XC3662021	PRESSER SWITCH HOLDER	
3	XC3611021	SPRING COVER SHAFT		46	048040346	RETAINING RING, E4	
4	XC3612021	THREAD TAKE-UP SPRING		47	085411015	TAPTITE, BIND B M4 × 10	
5	XC3613020	THREAD TAKE-UP SPRING COVER		48	XC3663021	CASSETTE RELEASE BUTTON	
6	XA0083021	TENSION DISC A	050246	49	XC3632021	SUPPORTING PLATE ASSY	
7	XC2626021	TENSION DISC B	CHG	50	XC3926021	LINK STOPPER	
8	XD0573021	WASHER	050053	51	0A4300506	SCREW, PAN (S/P WASHER) M3 × 5	
9	XC3614021	THREAD RELEASE PLATE A		52	026030135	WASHER, PLAIN S 3	
10	XA1388021	TENSION DISC WASHER	CHG	53	048020346	RETAINING RING, E2	
11	XC3615021	THREAD TENSION SPRING		54	XC3636021	SLIDE PLATE ASSY	
12	XC3616021	THREAD TENSION ADJUSTING SCREW		55	XC3641021	THREAD HOOK LINK A	
13	XC3617021	TENSION CONTROL NUT		56	XC3642021	SPRING	
14	XC3618021	LINK ARM ASSY		57	XC3643021	THREAD HOOK LINK B ASSY	
15	XC3621022	THREAD TENSION DIAL		58	XC5282021	SPRING	
16	XC3623021	THREAD TENSION DIAL SHAFT		59	XC3525021	LINK D GUIDE	
17	137991021	SPRING WASHER	CHG	60	060260316	SCREW, BIND M2.6 × 3	
18	025040133	WASHER, PLAIN S 4		61	025040133	WASHER, PLAIN S 4	CHG
19	048030346	RETAINING RING, E3		62	018300636	BOLT, SOCKET M3 × 6	
20	XC3624021	THREAD RELEASE PLATE B		63	XC5399020	THREAD HOOK TUBE	ADD
21	XC3625021	THREAD RELEASE PLATE C					
22	XC3626021	THREAD RELEASE PLATE D					
23	XC3627021	SPRING					
24	XC3522021	SPRING GUIDE ASSY					
25	060300416	SCREW, BIND M3 × 4					
26	XC3816021	CASSETTE HOLD PLATE					
27	XC3817021	SPRING					
28	XC3647021	THREAD HOOK LINK C ASSY					
29	XC4036021	DAMPER HOLDER ASSY					
30	XC4039021	OIL DAMPER					
31	XC5162021	SCREW, BIND M2 × 7					
32	XC4213020	GEAR A					
33	XC4214021	DAMPER GEAR SHAFT					
34	XC4215020	GEAR B					
35	048020346	RETAINING RING, E2					
36	XC4216020	SPACER					
37	XC4040121	DAMPER HOLDER SPRING	CHG				
38	XC6055021	SCREW, BIND M3 × 3					
39	XC4727121	PCB UNIT:LED LAMP-SL (CS8000)	CHG				
	XC5293121	PCB UNIT:LED LAMP-S3L (CS8100)	CHG				
40	XC3655021	LED LAMP HOLDER L					
41	XC3659021	ASSY:CASSETTE SWITCH					
42	XC3661121	CASSETTE SWITCH HOLDER	CHG				
43	060260316	SCREW, BIND M2.6 × 3					



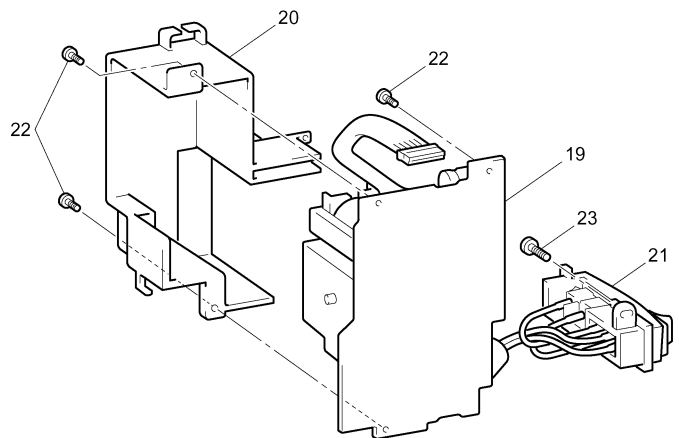
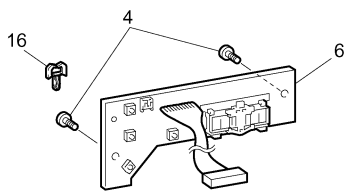
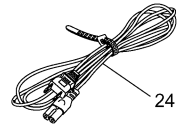
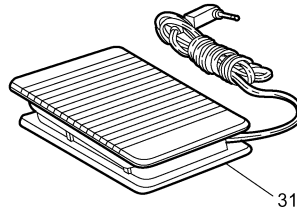
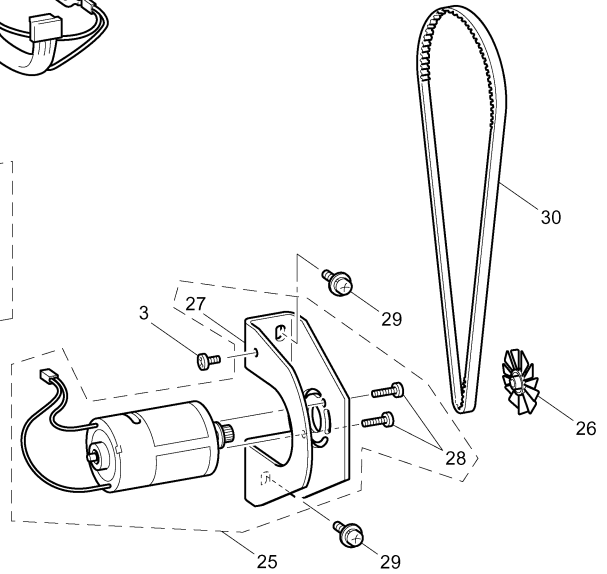
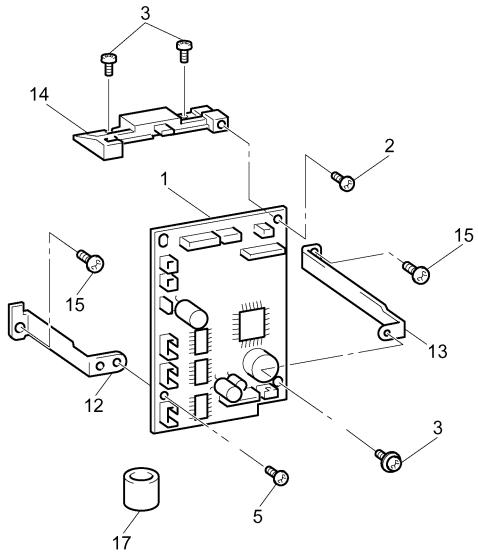
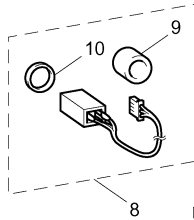
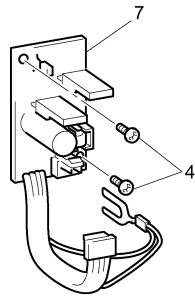
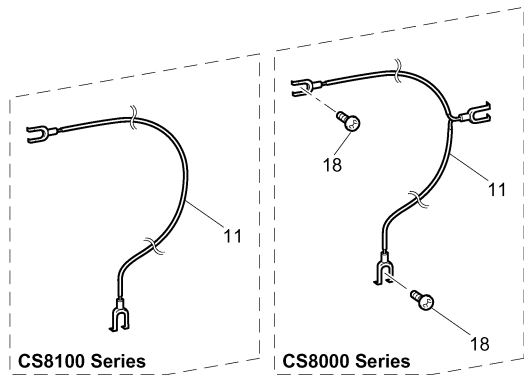
(6) THREAD HOOK MECHANISM

No.	CODE	NAME	REMARKS
1	XC3664021	THREAD CASSETTE ASSY	
2	XC3673021	SPOOL PRESSER	
3	XC6312021	THREAD GUIDE BASE SUPPLY ASSY	
4	052300606	SCREW, PAN (S/P WASHER) M3 × 6	
5	025030236	WASHER, PLAIN M 3	
6	060300416	SCREW, BIND M3 × 4	
7	060300516	SCREW, BIND M3 × 5	
8	XC3734021	THREAD GUIDE BASE SUPPORTER	
9	XC3735021	THREAD TAKE-UP LEVER GUIDE A	
10	XC2597021	PILE 4 × 8	050113
11	XC3736021	THREAD TAKE-UP LEVER GUIDE B	
12	XC3737021	THREAD TAKE-UP LEVER GUIDE C	
13	XC4132121	PILE HOLDER	
14	XC4133021	PILE HOLDER CAP	
15	XC4134021	PILE 10 × 6	050095
16	060260316	SCREW, BIND M2.6 × 3	
17	XA5246021	SPRING	
18	085411015	TAPTITE, BIND B M4 × 10	



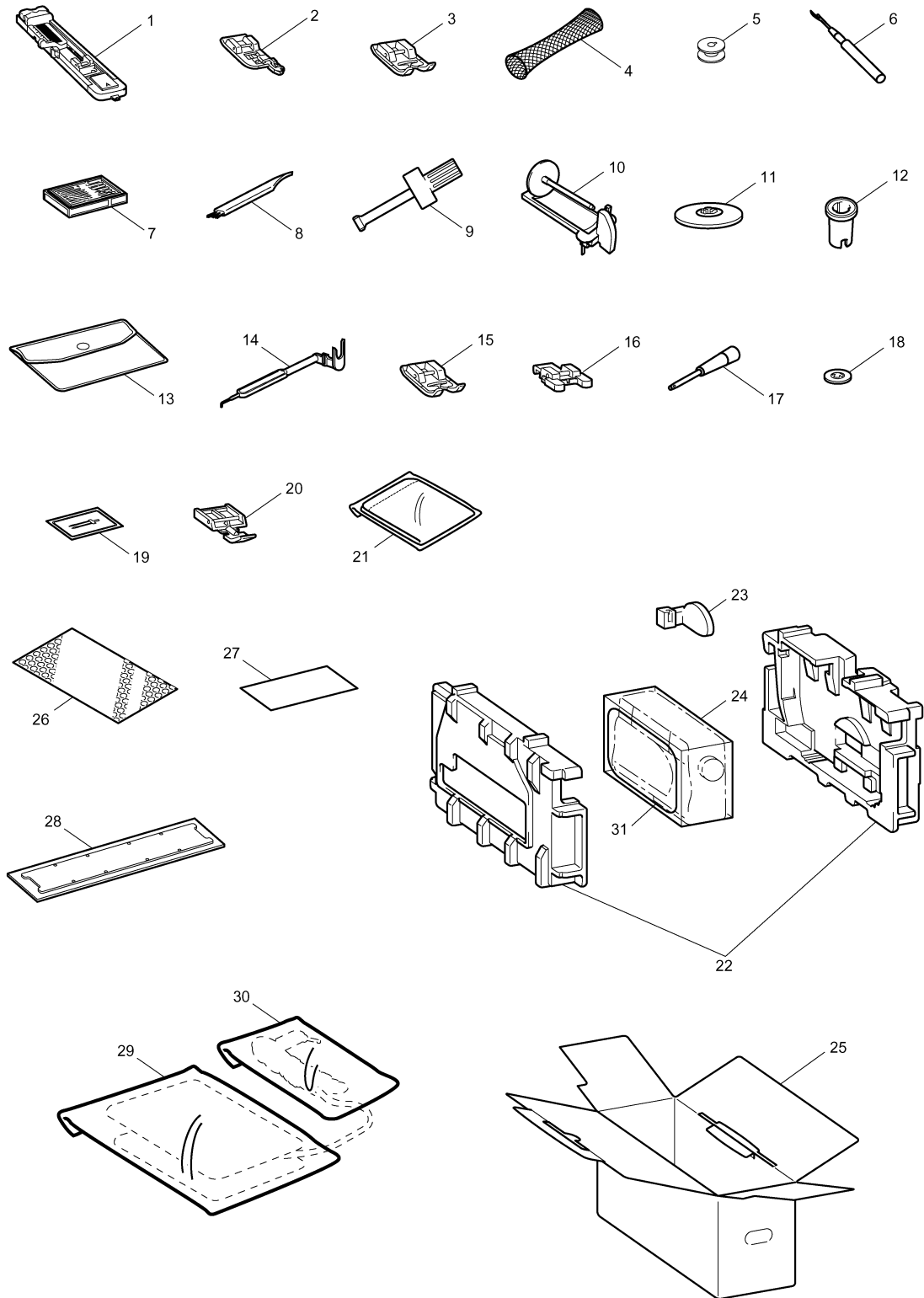
(7) ELECTRONIC PARTS / MOTOR UNIT

No.	CODE	NAME	REMARKS
ELECTRONIC PARTS			
1	XC6342021	MAIN PCB S2 SUPPLY ASSEMBLY	CHG
	XC6345021	MAIN PCB S3 SUPPLY ASSEMBLY	CHG
2	085310815	TAPTITE, BIND B M3 × 8	ADD
3	052300606	SCREW, PAN (S/P WASHER) M3 × 6	ADD
4	085311015	SCREW, BIND B TITE 3 × 10	
5	060300616	SCREW, BIND M3 × 6	
6	XC6337021	SSVR PCB S1L SUPPLY ASSEMBLY	CHG
7	XC6343021	MOTER PCB S2 SUPPLY ASSEMBLY	CHG
8	XC6062021	FC JACK SUPPLY ASSY	
9	XC5409021	FERRITE CORE:FSRB140140RNB00T	
10	X51271021	NUT	CHG
11	XC4776021	ASSY:GROUND LEAD WIRE S1 (CS8000)	
	XC5378021	ASSY:GROUND LEAD WIRE S3 (CS8100)	
12	XC4759021	SET PLATE L	
13	XC4760021	SET PLATE R	
14	XC4761021	PC BOARD SUPPORTER	
15	085411015	TAPTITE, BIND B M4 × 10	
16	XC3751021	MINI CLAMP:UAMS-02	
17	XC5409021	FERRITE CORE:FSRB140140RNB00T	
18	060300416	SCREW, BIND M3 × 4	
19	XC6327021	POWER PCB SUPPLY ASSY	
20	XC3787022	BREAK COVER (U.S.A., Canada)	
	XC3787021	BREAK COVER	
21	XC4717121	ASSY:INLET UL (U.S.A., Canada)	
	XC3788121	ASSY:INLET	
22	085311015	SCREW, BIND B TITE 3 × 10	
23	XC3588021	GIZA TITE 4 × 12	CHG
24	XC6052021	POWER SUPPLY CORD:UL CSA-LF (U.S.A., Canada)	
	XA0070121	POWER SUPPLY CORD (Europe)	
	X59354121	POWER SUPPLY CORD -BS (U.K.)	CHG
	X59328121	POWER CORD (Australia)	
MOTOR UNIT			
25	XC6912021	MAIN MOTOR SUPPLY ASSY	CHG
26	XC3803020	MOTOR FAN	
27	XC3804121	MOTOR HOLDER	
28	0A5301006	SCREW,PAN(S/P WASHER)M3 × 10	
29	XC3805021	GIZA TITE 5 × 16	CHG
30	XC3806121	TIMING BELT 372-2GT-6	CHG
31	XC6651121	FOOT CONTROLLER:FC-313-81-LF	
	XD0496021	FOOT CONTROLLER:FC-313-LF-EU	050034



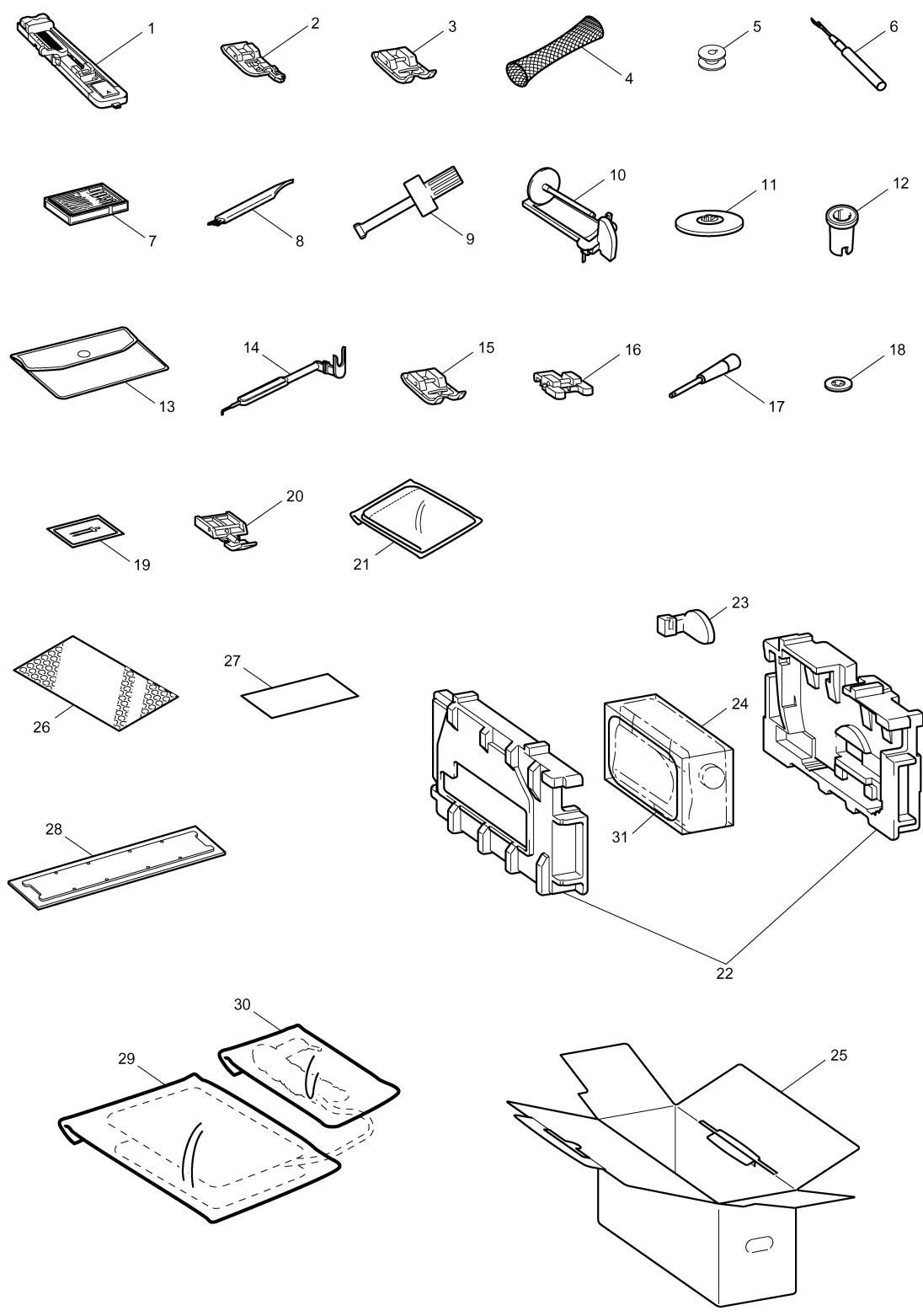
(8) ATTACHMENTS / PACKING MATERIALS / PRINTED MATTER

No.	CODE	NAME	REMARKS	No.	CODE	NAME	REMARKS
ATTACHMENTS							
1	XC2691023	BH PRESSER FOOT ASSY	050110		XC5244021	INSTRUCTION MANUAL (Spanish)	
2	XC3098051	OVERCASTING STITCH FOOT ASSY			XC5247021	INSTRUCTION MANUAL (English)	
3	XC4051051	BLIND STITCH FOOT ASSY			XC5256021	QUICK REFERENCE GUIDE	
4	XA5523020	NET	CHG		XC0380021	WARRANTY CARD (U.S.A.)	
5	X52800120	BOBBIN			130800021	BAG,220 × 310	
6	X54243001	SEAM RIPPER			XC3423021	INSTRUCTION MANUAL ASSY (French, English)	
7	X58358021	Z NEEDLE ASSY	CHG		XC5245021	INSTRUCTION MANUAL (French)	
8	X59476021	CLEANING BRUSH	CHG		XC5247021	INSTRUCTION MANUAL (English)	
9	XC4237021	DRIVER ASSY			XC5256021	QUICK REFERENCE GUIDE	
10	XC3834021	SPOOL STAND ASSY			181401172	INSERTION WARRANTY COUPON (Canada, Switzerland)	
11	130012054	SPOOL PRESSER A			130800021	BAG,220 × 310	
12	XA5752021	SPOOL CAP (SMALL)			XC3424021	INSTRUCTION MANUAL ASSY	
13	XC4487021	ACCESSORY BAG			XC5246021	INSTRUCTION MANUAL (German)	
14	XC4551020	NEEDLE EXCHANGE TOOL			XC5256021	QUICK REFERENCE GUIDE	
15	X53840351	TRANSPARENCY PRESSER FOOT			UH3851001	WARRANTY CARD EUR (Europe)	
16	X59375151	BUTTON SEWING FOOT			130800021	BAG,220 × 310	
17	135793001	PUNCH	CHG		XC3425021	INSTRUCTION MANUAL ASSY (English)	
18	130013154	SPOOL PRESSER B			XC5247021	INSTRUCTION MANUAL (English)	
19	X59296121	TWIN NEEDLE (1PC)	CHG		XC5256021	QUICK REFERENCE GUIDE	
20	X59370051	ZIPPER FOOT			181401137	INSERTION WARRANTY COUPON (U.K.)	
21	XC4842022	DUST COVER ASSY			UH3851001	WARRANTY CARD EUR (Europe)	
PACKING MATERIALS							
22	XC6028021	POLYSTYRENE FOAM PAD ASSY S01			130800021	BAG,220 × 310	
23	XC6031021	PRESSER LEVER FIXING			XC3426021	INSTRUCTION MANUAL ASSY (French, Dutch)	
	XC6031022	PRESSER LEVER FIXING (KOREA)	040223		XC5245021	INSTRUCTION MANUAL (French)	
24	XC6999021	BAG,520 × 400	CHG		XC5248021	INSTRUCTION MANUAL (Dutch)	
25	XC4863021	COLOR CARTON (CS8060 : U.S.A.)			XC5256021	QUICK REFERENCE GUIDE	
	XC7113021	CARTON ASSY (CS8060 : CANADA)	ADD		UH3851001	WARRANTY CARD EUR (Europe)	
	XC4863025	COLOR CARTON (CS8060 : KOREA)	040146		130800021	BAG,220 × 310	
	XC5313023	CARTON (CS8070)	CHG		XC3427021	INSTRUCTION MANUAL ASSY (Italian)	
	XC5313025	CARTON (CS8080)	CHG		XC5254021	INSTRUCTION MANUAL (Italian)	
	XC4863022	COLOR CARTON (CS8150 : U.S.A.)			XC5256021	QUICK REFERENCE GUIDE	
	XC7113022	CARTON ASSY (CS8150 : CANADA)	ADD		UH3851001	WARRANTY CARD EUR (Europe)	
	XC4863024	COLAR CARTON (CS8120 : KOREA)	040146		XA6351121	WARRANTY CARD (Italian)	
	XC5313024	CARTON (CS8130)			130800021	BAG,220 × 310	
26	XC5214021	BUBBLE PACK			XC3428021	INSTRUCTION MANUAL ASSY (French, German)	
27	X57847051	PLUG LABEL (U.K.)			XC5245021	INSTRUCTION MANUAL (French)	
28	LA6041001	SECURITY TAG (U.S.A.)			XC5246021	INSTRUCTION MANUAL (German)	
29	160670021	BAG, 150 × 350	ADD		XC5256021	QUICK REFERENCE GUIDE	
30	264030021	BAG, 165 × 250	ADD		181401172	INSERTION WARRANTY COUPON (Canada, Switzerland)	
31	XC5400021	BAG, 320 x 155 (For FLAP TABLE)	ADD		UH3851001	WARRANTY CARD EUR (Europe)	
PRINTED MATTER (CS8000 Series)							
	XC3422021	INSTRUCTION MANUAL ASSY (Spanish, English)					



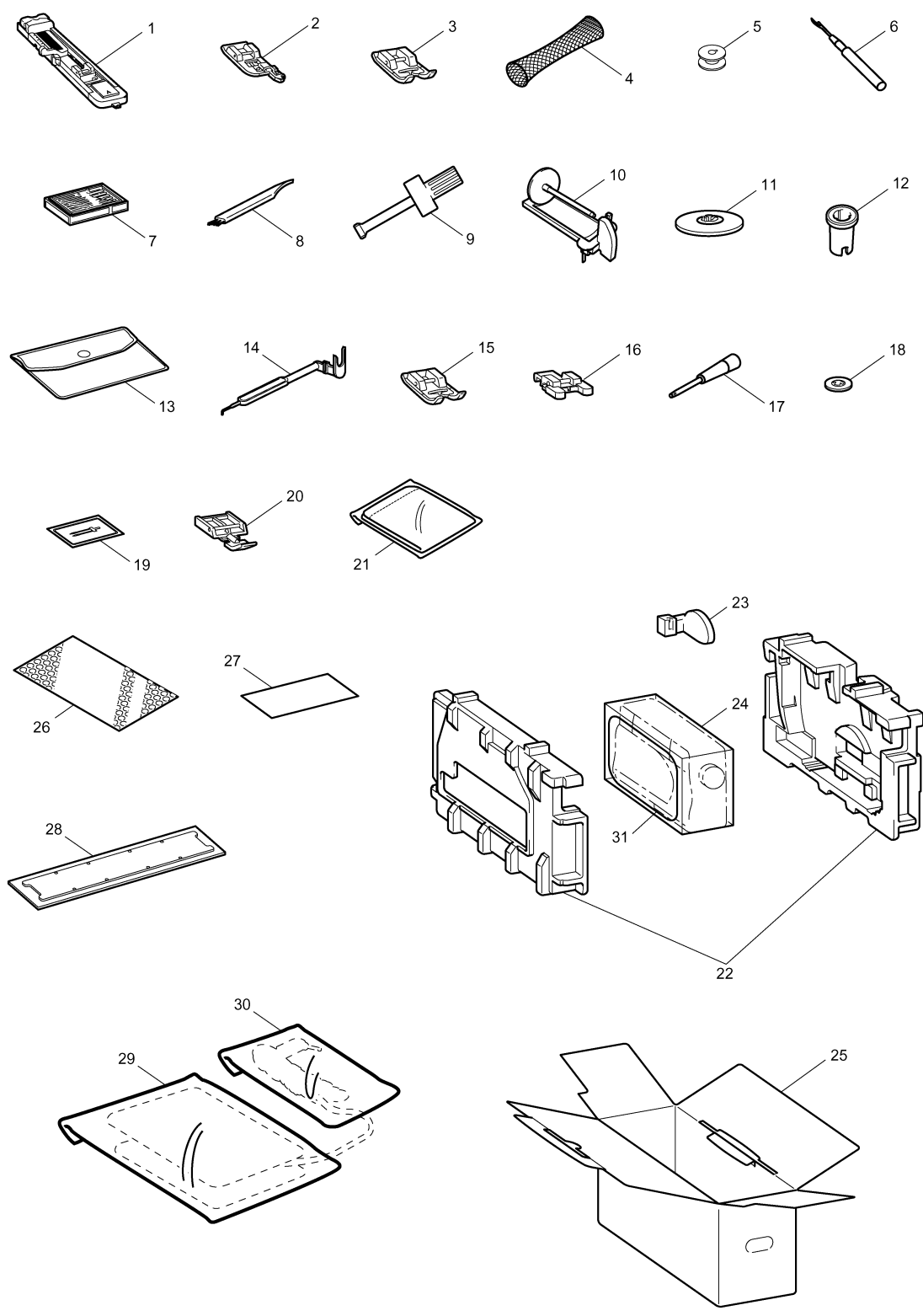
(8) ATTACHMENTS / PACKING MATERIALS / PRINTED MATTER

No.	CODE	NAME	REMARKS	No.	CODE	NAME	REMARKS
	130800021	BAG,220 × 310			XC5258021	LANGUAGE SETTING SHEET	
	XC3444021	INSTRUCTION MANUAL ASSY (Italian)			130800021	BAG,220 × 310	
	XC5254021	INSTRUCTION MANUAL (Italian)			XC3434021	INSTRUCTION MANUAL ASSY (English)	
	130800021	BAG,220 × 310			XC5252021	INSTRUCTION MANUAL (English)	
	XC3429021	INSTRUCTION MANUAL ASSY			181401137	INSERTION WARRANTY COUPON (U.K.)	
	XC6042021	INSTRUCTION BOOK (Danish)	ADD		UH3851001	WARRANTY CARD EUR (Europe)	
	XC6478021	INSTRUCTION BOOK (Swedish)	ADD		XC5256021	QUICK REFERENCE GUIDE	
	XC6775021	INSTRUCTION MANUAL ASSY (English)	ADD		XC5257021	QUICK REFERENCE GUIDE (PANEL)	
	XC5247021	INSTRUCTION MANUAL (English)			XC5258021	LANGUAGE SETTING SHEET	
	XC5256021	QUICK REFERENCE GUIDE			130800021	BAG,220 × 310	
	UH3851001	WARRANTY CARD EUR (Europe)			XC3435021	INSTRUCTION MANUAL ASSY (French, Dutch)	
	130800021	BAG,220 × 310			XC5250021	INSTRUCTION MANUAL (French)	
	XC6228021	INSTRUCTION MANUAL ASSY			XC5253021	INSTRUCTION MANUAL (Dutch)	
	XC5247021	INSTRUCTION MANUAL (English)			UH3851001	WARRANTY CARD EUR (Europe)	
	XC5256021	QUICK REFERENCE GUIDE			XC5256021	QUICK REFERENCE GUIDE	
	130800021	BAG,220 × 310			XC5257021	QUICK REFERENCE GUIDE (PANEL)	
	XC9068021	INSTRUCTION MANUAL ASSY (Korean)	ADD		XC5258021	LANGUAGE SETTING SHEET	
	XC8688021	INSTRUCTION MANUAL (Hangul)	ADD		130800021	BAG,220 × 310	
	XC9178021	QUICK REFERENCE GUIDE (KOREA)	040141		XC3439021	INSTRUCTION MANUAL ASSY (Italian)	
	130800021	BAG,220 × 310	ADD		XC5255021	INSTRUCTION MANUAL (Italian)	
PRINTED MATTER (CS8100 Series)					UH3851001	WARRANTY CARD EUR (Europe)	
	XC3430021	INSTRUCTION MANUAL ASSY (English, Spanish)			XA6351121	WARRANTY CARD (Italian)	
	XC5252021	INSTRUCTION MANUAL (English)			XC5256021	QUICK REFERENCE GUIDE	
	XC5249021	INSTRUCTION MANUAL (Spanish)			XC5257021	QUICK REFERENCE GUIDE (PANEL)	
	XC0380021	WARRANTY CARD (U.S.A.)			XC5258021	LANGUAGE SETTING SHEET	
	XC5256021	QUICK REFERENCE GUIDE			130800021	BAG,220 × 310	
	XC5257021	QUICK REFERENCE GUIDE (PANEL)			XC3440021	INSTRUCTION MANUAL ASSY (German, French)	
	XC5258021	LANGUAGE SETTING SHEET			XC5251021	INSTRUCTION MANUAL (German)	
	130800021	BAG,220 × 310			XC5250021	INSTRUCTION MANUAL (French)	
	XC3431021	INSTRUCTION MANUAL ASSY (English, French)			UH3851001	WARRANTY CARD EUR (Europe)	
	XC5252021	INSTRUCTION MANUAL (English)			XC5256021	QUICK REFERENCE GUIDE	
	XC5250021	INSTRUCTION MANUAL (French)			XC5257021	QUICK REFERENCE GUIDE (PANEL)	
	181401172	INSERTION WARRANTY COUPON (Canada, Switzerland)			XC5258021	LANGUAGE SETTING SHEET	
	XC5256021	QUICK REFERENCE GUIDE			130800021	BAG,220 × 310	
	XC5257021	QUICK REFERENCE GUIDE (PANEL)			XC3445021	INSTRUCTION MANUAL ASSY (Italian)	
	XC5258021	LANGUAGE SETTING SHEET			XC5255021	INSTRUCTION MANUAL (Italian)	
	130800021	BAG,220 × 310			130800021	BAG,220 × 310	
	XC3432021	INSTRUCTION MANUAL ASSY			XC3441021	INSTRUCTION MANUAL ASSY (English)	
	XC5251021	INSTRUCTION MANUAL (German)			XC6047021	INSTRUCTION BOOK (Danish)	ADD
	UH3851001	WARRANTY CARD EUR (Europe)			XC6987021	INSTRUCTION BOOK (Swedish)	ADD
	XC5256021	QUICK REFERENCE GUIDE			XC6776021	INSTRUCTION MANUAL ASSY (English)	ADD
	XC5257021	QUICK REFERENCE GUIDE (PANEL)			XC5252021	INSTRUCTION MANUAL (English)	
	XC5258021	LANGUAGE SETTING SHEET			UH3851001	WARRANTY CARD EUR (Europe)	
	130800021	BAG,220 × 310					



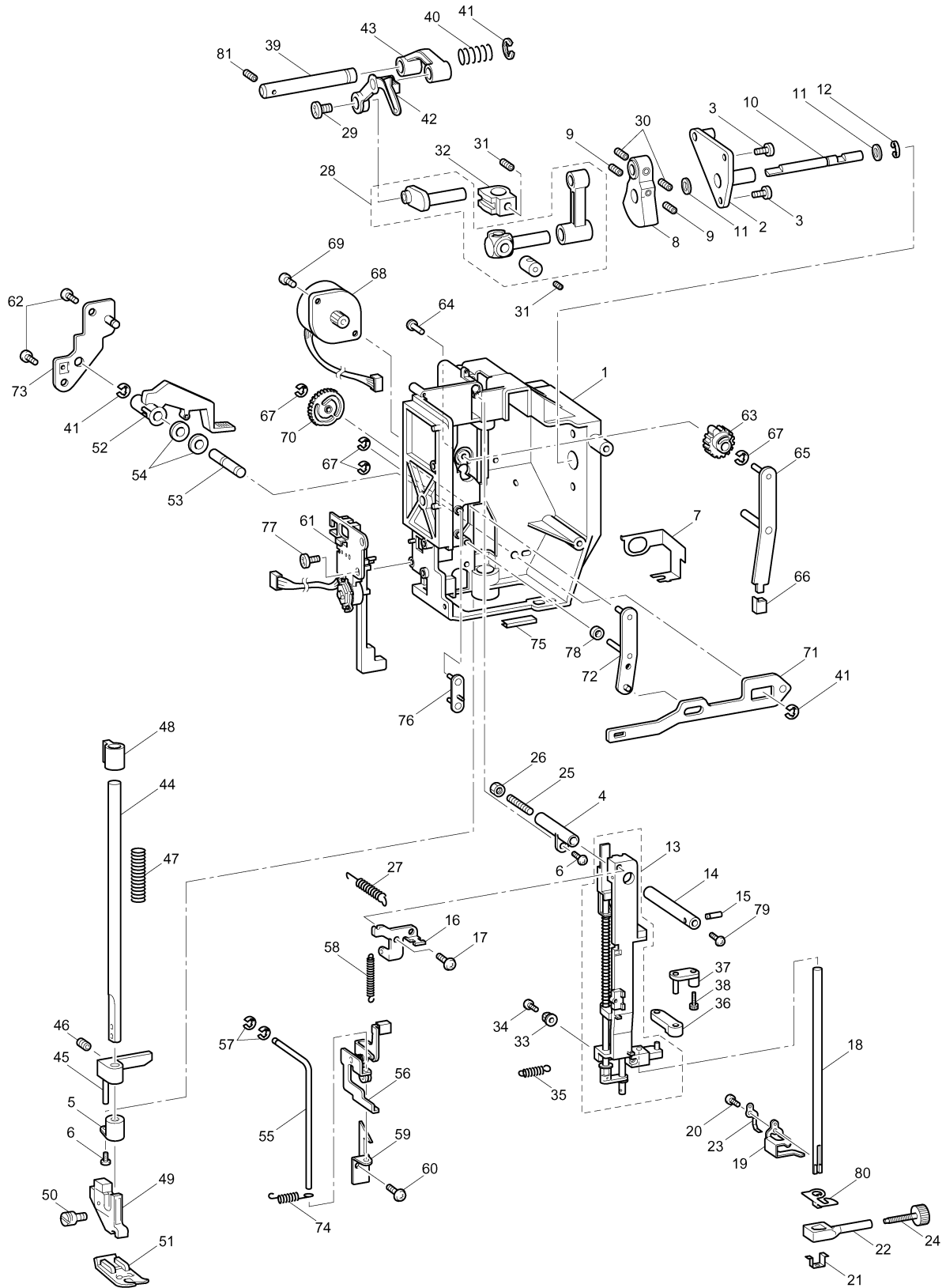
(8) ATTACHMENTS / PACKING MATERIALS / PRINTED MATTER

No.	CODE	NAME	REMARKS	No.	CODE	NAME	REMARKS
	XC5256021	QUICK REFERENCE GUIDE					
	XC5257021	QUICK REFERENCE GUIDE (PANEL)					
	XC5258021	LANGUAGE SETTING SHEET					
	130800021	BAG,220 × 310					
	XC6229021	INSTRUCTION MANUAL ASSY (English)					
	XC5252021	INSTRUCTION MANUAL (English)					
	XC5256021	QUICK REFERENCE GUIDE					
	XC5257021	QUICK REFERENCE GUIDE (PANEL)					
	XC5258021	LANGUAGE SETTING SHEET					
	130800021	BAG,220 × 310					
	XC9069021	INSTRUCTION MANUAL ASSY (Korian)	ADD				
	XC8689021	INSTRUCTION MANUAL (Hangul)	ADD				
	XC9178021	QUICK REFERENCE GUIDE (KOREA)	040141				
	XC9179021	QUICK REFERENCE GUIDE (PANEL) (KOREA)	040141				
	XC5258021	LANGUAGE SETTING SHEET	ADD				
	130800021	BAG,220 × 310	ADD				
	XC9160021	STITCH REFERENCE CARD (CS8120, CS8130, CS8150)	040144				
	XC9167021	THREAD CASSETTE INSERTION	040156				
NEW SPEC							
	X59816101	WALKING FOOT ASSEMBLY (CS80)	ADD				
	XD1819021	QUILTING FOOT (CS80)	050309				
	XC7887021	INSERTION (CS80)	ADD				
	XC4863023	COLOR CARTON (CS80)	ADD				
	XC7208121	INSTRUCTION MANUAL ASSY (CS8060:RUSSIA)	050192				
	XC7214121	INSTRUCTION MANUAL ASSY (CS8120:RUSSIA)	050192				
	XD1122021	EEU WARRANTY CARD (CS8060)	050198				



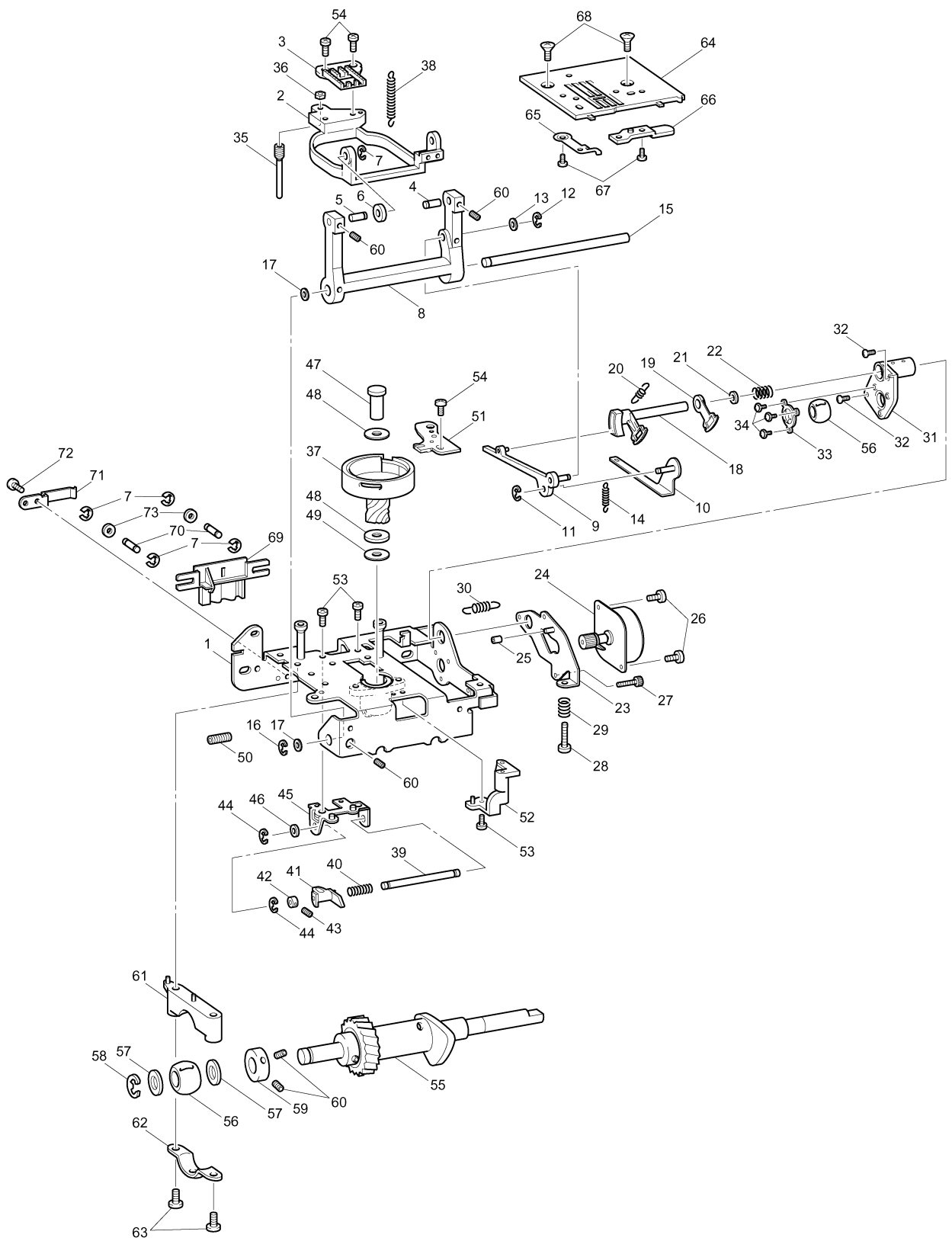
NEEDLE-PRESSER MODULE

No.	CODE	NAME	REMARKS	No.	CODE	NAME	REMARKS
1	XC2394421	UPPER UNIT HOLDER	050104	45	XC2445021	PRESSER BAR CLAMP ASSY	
2	XC2395121	SHAFT BUSHING ASSEMBLY		46	014501032	SET SCREW, SOCKET (CP) M5 × 10	
3	0A5401405	SCREW, PAN (S/P WASHER) M4 × 14DB		47	XC2448021	SPRING	
4	XC2398020	SHAFT BUSHING A		48	XC2449021	PRESSER SPRING SUPPORTER	
5	XC2399021	PRESSER BAR BUSHING		49	XC3015051	PRESSER FEED HOLDER ASSY	
6	085310815	TAPTITE, BIND B M3 × 8		50	132730122	TIGHTENING SCREW 3.57	050275
7	XC5362020	PLATE SPRING		51	XC3021051	Z FOOT	
8	XC2400021	THREAD TAKE-UP COUNTER WEIGHT		52	XC2451021	PRESSER FOOT LIFTER	
9	012500532	SET SCREW, SOCKET (FT) M5 × 5		53	XC2452021	PRESSER LIFT SHAFT	
10	XC2401021	UNIT SHAFT		54	XA1860120	WASHER	
11	132434020	WASHER	CHG	55	XC2453021	LEVER GUIDE SHAFT	
12	048060346	RETAINING RING, E6		56	XC3555021	LEVER AB ASSY	
13	XC3545021	NEEDLE BAR SUPPORTER ASSY		57	048020346	RETAINING RING, E2	
14	XC2419021	SHAFT		58	XC2461021	SPRING	
15	XC2420020	SHAFT		59	XC3561121	LEVER SUPPORTER PLATE	CHG
16	XC2421121	PLATE		60	085310615	TAPTITE, BIND B M3 × 6	
17	060300516	SCREW, BIND M3 × 5		61	XC7215021	BH SWITCH ASSY	CHG
18	XC2423021	NEEDLE BAR		62	XC3588021	GIZA TITE 4 × 12	040137
19	XC3553021	NEEDLE BAR THREAD GUIDE		63	XC2474020	Z ZIGZAG CAM	
20	X53053052	SCREW SM2.38		64	XC2475021	SHAFT	
21	XC2426020	NEEDLE THREAD PLATE		65	XC2476021	Z ZIGZAG LEVER ASSY	
22	XC3554051	NEEDLE BLOCK		66	XC2480020	Z LEVER CUP	
23	XC4162021	NEEDLE BLOCK SUPPORTER		67	048030346	RETAINING RING, E3	
24	XC4266021	NEEDLE CLAMP SCREW		68	XC2481021	MOTOR, PULSE: Z SMJ35-4840-A	
25	014401232	SET SCREW, SOCKET (FT) M4 × 12		69	085310815	TAPTITE, BIND B M3 × 8	
26	X56851021	LOCK NUT		70	XC2483020	T CAM	
27	XC2429021	SPRING		71	XC2491021	THREAD RELEASER ASSY	
28	XZ0152021	NEEDLE BAR CRANK ROD ASSY	CHG	72	XC2494021	THREAD RELEASE LEVER ASSY	
29	132051022	SCREW, FLAT SM3.57-40 × 7 L	CHG	73	XC2499021	ADJUSTING PLATE	
30	012500532	SET SCREW, SOCKET (FT) M5 × 5		74	XC5348021	GROUND SPRING	
31	012400432	SET SCREW, SOCKET (FT) M4 × 4		75	XC3034020	THREAD GUIDE PLATE	
32	XC2434021	NEEDLE THREAD BLOCK		76	XC3563021	LEVER RELEASE PLATE ASSY	
33	XC2435020	ZIGZAG ADJUSTING NUT		77	XZ0149021	TAPTITE, PAN B 4 × 12	CHG
34	018301032	BOLT, SOCKET M3 × 10		78	XZ0155021	POLYESTER SLIDER	CHG
35	XC4301021	SPRING-Z		79	000020415	SCREW, BIND M2 × 4	
36	XC2436021	NEEDLE HOLDER BROCK		80	XC5215021	SUPPORT SPRING	
37	XC2437021	SHAFT ASSY		81	014300532	SET SCREW, SOCKET (CP) M3 × 5	
38	XC3037021	SCREW 3 × 10					
39	XC2440021	SHAFT			XC5437121	NEEDLE-PRESSER SUPPLY MODULE (EUROPE)	050019
40	XC2441021	SPRING			XC5437122	NEEDLE-PRESSER SUPPLY MODULE (U.S.A. & CANADA)	050019
41	048040346	RETAINING RING, E4					
42	XC3833121	THREAD TAKE-UP LEVER ASSY	CHG				
43	XC2443020	THREAD TAKE-UP LEVER LINK					
44	XC2444021	PRESSER BAR					



FEED MODULE

No.	CODE	NAME	REMARKS	No.	CODE	NAME	REMARKS
1	XC3356221	FEED BASE	040085	45	XC7801021	VERTICAL SUPPORTING PLATE	040085
2	XC2510021	FEED BAR		46	137713020	POLYESTER SLIDER	
3	XC5467021	FEED DOG		47	XC2230021	OUTER ROTARY HOOK SHAFT	CHG
4	XC2512021	FEED BAR SHAFT A		48	137805022	SPACER	CHG
5	XC2513021	FEED BAR SHAFT B		49	137976021	WASHER 6	CHG
6	XC2514021	FEED BAR SPACER		50	014400632	SET SCREW, SOCKET (CP) M4 × 6	
7	048020346	RETAINING RING, E2		51	XC2555021	INNER ROTARY HOOK BRACKET ASSY	
8	XC2516021	FEED ARM A		52	XC2559121	STOPPER PLATE BLOCK ASSY	050249
9	XC2517021	FEED ARM B ASSY		53	060400516	SCREW, BIND M4 × 5	
10	XC2521021	FEED SUPPORTING PLATE ASSY		54	060300816	SCREW, BIND M3 × 8	CHG
11	048020346	RETAINING RING, E2		55	XC2562121	LOWER SHAFT B ASSY	
12	048030346	RETAINING RING, E3		56	X52664020	LOWER SHAFT BUSHING	
13	137999020	POLYESTER SLIDER		57	X51383020	WASHER, THRUST	
14	XZ0174021	SPRING		58	048060346	RETAINING RING, E6	
15	XC2525021	HORIZONTAL FEED SHAFT		59	137768121	SET SCREW COLLAR	
16	048050346	RETAINING RING, E5		60	014400432	SET SCREW, SOCKET (CP) M4 × 4	
17	X50546050	WASHER, THRUST		61	XC2566021	BUSHING SUPPORTER A	
18	XC2527021	FEED ADJUSTER		62	XC2567021	BUSHING PRESSER A	
19	XC2529020	F GEAR		63	060401616	SCREW, BIND M4 × 16	
20	XC2530021	SPRING		64	XC2569051	NEEDLE PLATE A	
21	137713020	POLYESTER SLIDER		65	XC2570121	STOPPER PLATE	050293
22	XC2531021	SPRING		66	XC2571021	F GEAR STOPPER PLATE	
23	XC2532021	FPM HOLDER ASSY		67	060260316	SCREW, BIND M2.6 × 3	
24	XC2534021	MOTOR,PULSE:F SMJ35-4840-C		68	X50487051	SCREW M4	
25	XC2587020	RUBBER	040131	69	XC3585021	DROP KNOB	
26	060300516	SCREW, BIND M3 × 5		70	XC5322021	SLIDE SHAFT	
27	XC3338021	SCREW3 × 8		71	XC2574021	SPRING PLATE	
28	018402532	BOLT, SOCKET M4 × 25		72	060300516	SCREW, BIND M3 × 5	CHG
29	XC2537021	SPRING		73	026030135	WASHER, PLAIN S 3	
30	XC2538021	SPRING					
31	XC2539021	BUSHING SUPPORTER ASSY			XC5438024	FEED MODULE SUPPLY ASSY (EUROPE)	CHG
32	060400616	SCREW, BIND M4 × 6			XC5438025	FEED MODULE SUPPLY ASSY (U.S.A & CANADA)	ADD
33	XC2542021	BUSHING PRESSER B					
34	060300516	SCREW, BIND M3 × 5					
35	XC3941051	VERTICAL ADJUSTER SCREW ASSY					
36	XC2546021	M5 NUT					
37	XC2210021	OUTER ROTARY HOOK ASSY	CHG				
38	XC2547021	SPRING					
39	XC8361021	VERTICAL FEED SHAFT	040085				
40	XC2550021	SPRING					
41	XC2551020	VERTICAL LEVER					
42	XC2552021	SET SCREW COLLAR					
43	014400432	SET SCREW, SOCKET (CP) M4 × 4					
44	048030346	RETAINING RING, E3					



NC21-S2, S3 Model
CS8000 Series
CS8100 Series
24D03HF885S06/08