

PFAFF

hobby

1122 - 1132 - 1142

Ersatzteile-Liste

List of spare parts

Liste des pièces détachées

Catalogo pezzi staccati

Lista de piezas de repuesto

Nicht nummerierte Teile im Katalog werden nicht geliefert.

The parts mentioned without number in the parts list are not available.

Les pièces qui ne sont pas numérotées dans la liste de pièces détachées ne peuvent être livrées.

Pezzi non catalogati non sono disponibili.

Las piezas de repuesto sin número en esta lista no se entregarán.

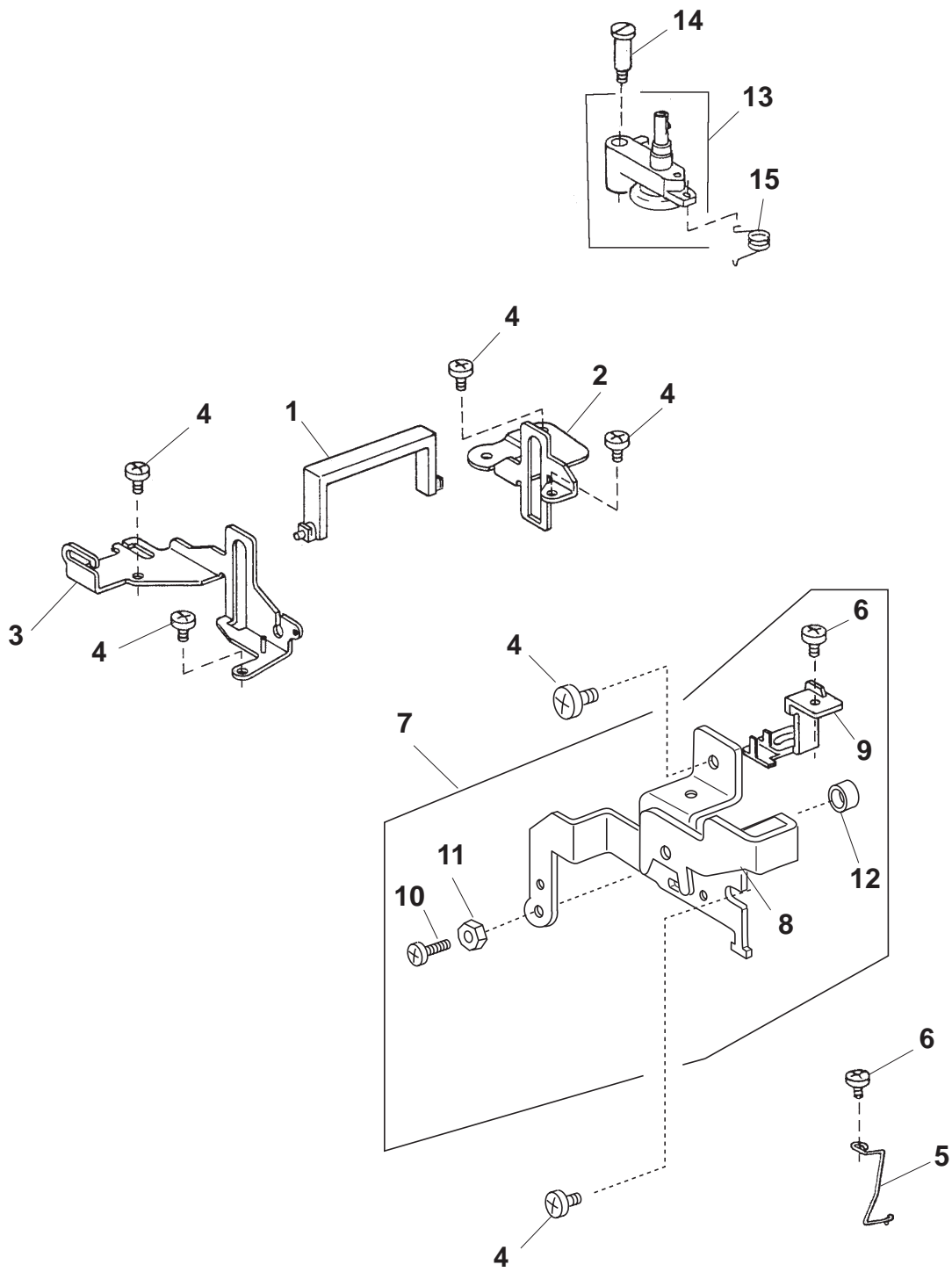
Bei Bestellung von Ersatzteilen muß die Modell-Nr. der Maschine, die Seitenzahl des Kataloges und die Teilenummer angegeben werden.

Prière d'indiquer dans vos commandes de pièces de rechange, le numéro de la machine, le numéro de la page dans la liste des pièces détachées, ainsi que les numéros des pièces commandées.

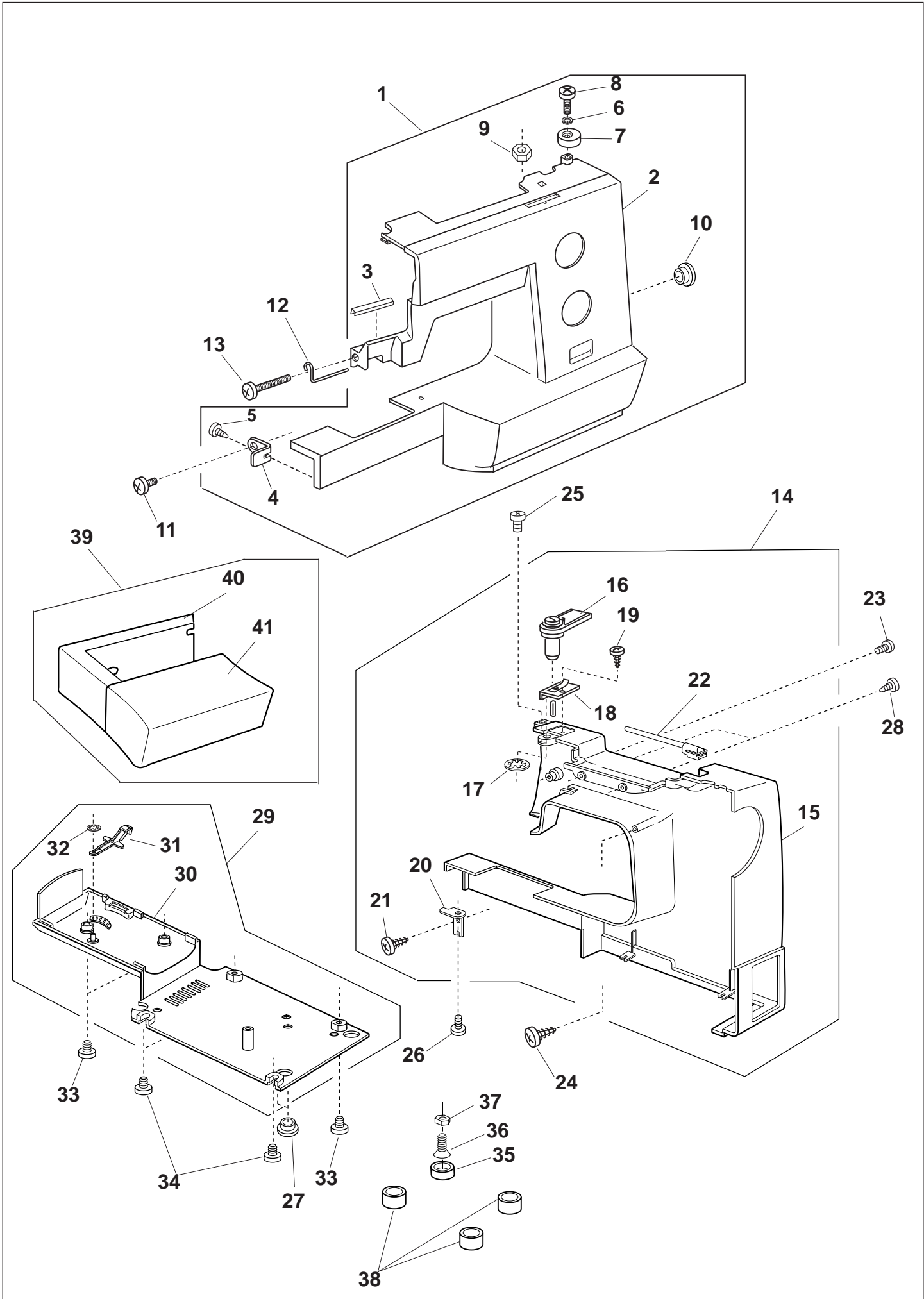
When ordering spare parts, please state the model number, the page number in the catalogue of spare parts and the number of the parts called for.

La richiesta dei pezzi di ricambio deve contenere il modello della macchina, la pagina del catalogo e il codice del pezzo.

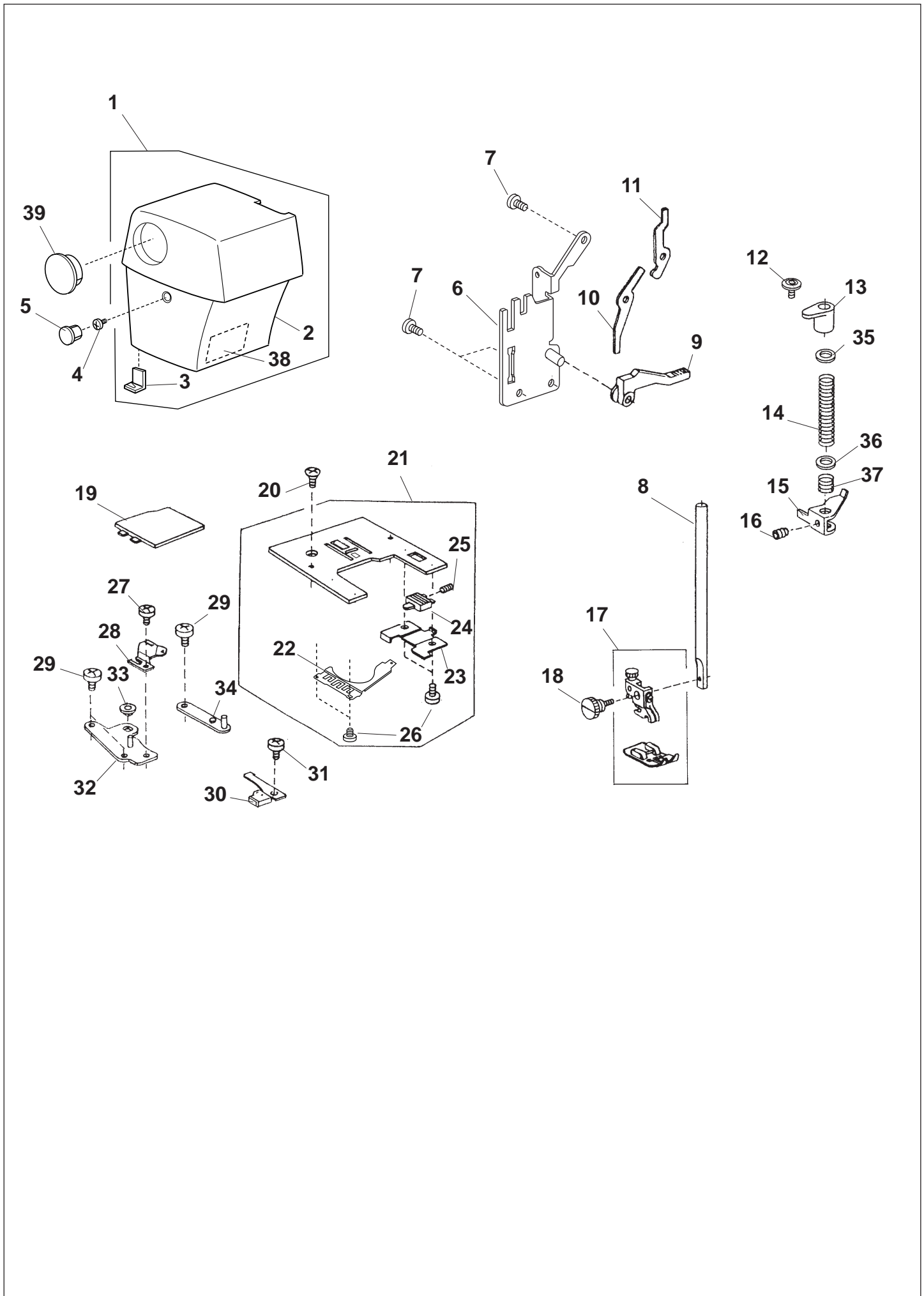
Al pedir piezas, sírvanse de indicar el número del modelo de la máquina, la página de la lista de piezas de repuestos y el número de la pieza deseada.



KEY NO.	PART NO.	DESCRIPTION
1	4160232-01	Handle
2	4160368-01	Handle supporter (Right)
3	4160369-01	Handle supporter (Left)
4	4160197-01	Setscrew
5	4160332-01	Arm thread guide (2)
6	4160203-01	Setscrew
7	4160275-01	Face cover bracket unit(MODEL1142)
	4160288-01	Face cover bracket unit (MODEL1132 AND1122)
8	4160244-01	Face cover bracket
9	4160365-01	Threader shaft guide (Upper) MODEL1142
0	4160210-01	Setscrew (MODEL1142)
	4160210-01	Setscrew(MODEL 1132 AND 1122)
11	4160224-01	Adjustable lock nut
12	4160342-01	Needle bar supporter stopper
13	4160335-01	Bobbin winder unit
14	4160330-01	Hinge screw
15	4160428-01	Bobbin winder spring

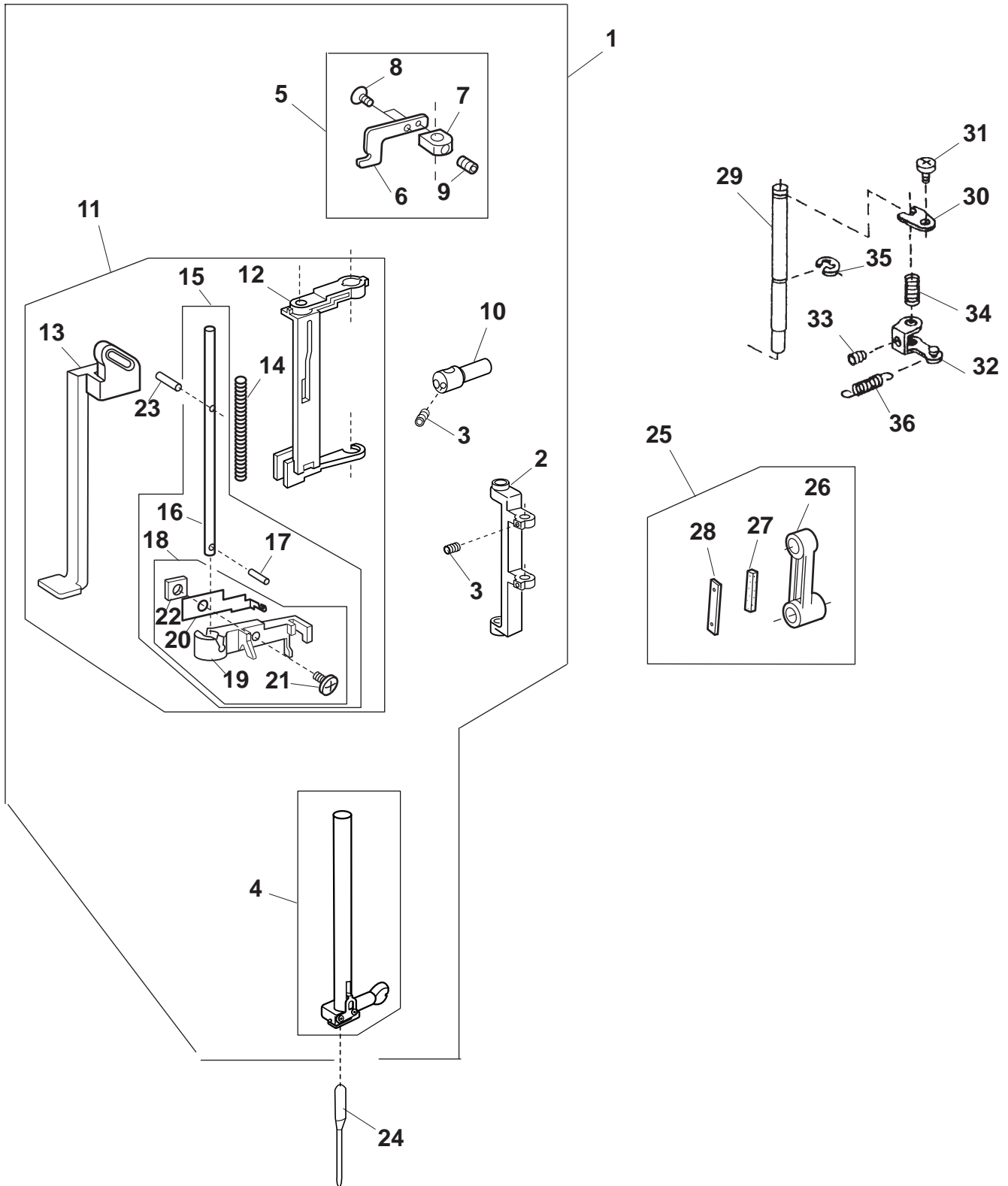


KEY NO.	PART NO.	DESCRIPTION
1	4160281-01	Front cover unit (MODEL1142)
	4160282-01	Front cover unit (MODEL1132)
	4160283-01	Front cover unit (MODEL1122)
2	4160259-01	Front cover
3	4160388-01	Thread guard
4	4160441-01	Front cover set plate (Lower)
5	4160221-01	Setscrew
6	4160195-01	Plain washer
7	4160349-01	Bobbin winder stopper
8	4160206-01	Setscrew
9	4160191-01	Hexagonal nut 4-3-7
10	4160359-01	Cap
11	4160203-01	Setscrew
12	4160389-01	Arm thread guide
13	4160200-01	Setscrew
14	4160272-01	Rear cover unit
15	4160239-01	Rear cover
16	4160326-01	Thread guide unit
17	4160182-01	Snap ring CS-8
18	4160442-01	Top cover thread guide unit
19	4160226-01	Setscrew
20	4160436-01	Rear cover set plate
21	4160225-01	Setscrew
22	4160340-01	Spool pin
23	4160205-01	Setscrew
24	4160222-01	Setscrew
25	4160410-01	Setscrew
26	4160198-01	Setscrew
27	4160359-01	Cap
28	4160453-01	Setscrew
29	4160271-01	Base cover unit
30	4160238-01	Base cover
31	4160383-01	Drop feed lever
32	4160180-01	Snap ring CS-5
33	4160204-01	Setscrew
34	4160207-01	Setscrew
35	4160348-01	Rubber foot
36	4160202-01	Flat screw
37	4160192-01	Hexagonal nut 5-3-8
38	4160301-01	Rubber foot base
39	4160273-01	Extension table unit
40	4160240-01	Extension table
41	4160241-01	Extension table lid



KEY NO.	PART NO.	DESCRIPTION
1	4160274-01	Face plate unit (MODEL1142 and1132)
	4160274-01	Face plate unit (MODEL1122)
2	4160242-01	Face plate (MODEL1142 and1132)
	4160243-01	Face plate (MODEL1122)
3	4160446-01	Thread cutter unit
4	4160204-01	Setscrew
5	4160359-01	Cap
6	4160372-01	Presser bar bracket
7	4160197-01	Setscrew
8	4160269-01	Presser bar (MODEL1142)
	4160437-01	Presser bar(MODEL1132)
9	4160351-01	Presser foot lifter
10	4160438-01	Tension release lever
11	4160439-01	Tension release lever
12	4160228-01	TP screw
13	4160331-01	Presser bar bushing
14	4160433-01	Presser spring (MODEL1142 and 1132)
	4160329-01	Presser spring (MODEL1122)
15	4160350-01	Presser bar supporter
16	4160217-01	Hexagonal socket screw
17	4160343-01	Presser foot unit
18	4160302-01	Thumbscrew
19	4160360-01	Hook cover plate
20	4160418-01	Setscrew
21	4160374-01	Needle plate unit
22	4160445-01	Hook cover set plate (Left)
23	4160429-01	Hook cover set plate (Right)
24	4160430-01	Hook cover release button
25	4160431-01	Hook cover release button spring
26	4160416-01	Setscrew
27	4160208-01	Setscrew
28	4160423-01	Reverse stopper
29	4160193-01	Setscrew
30	4160373-01	Stopper unit
31	4160410-01	Setscrew
32	4160361-01	Needle plate adjusting plate (Left)
33	4160425-01	Nut
34	4160362-01	Needle plate adjusting plate (Right)
35	4160333-01	Washer (MODEL1142 and 1132)
36	4160434-01	Plain washer (MODEL1142 and1132)
37	4160435-01	Presser bar sub-spring (MODEL1142 and1132)
38	4160345-01	Reflector sticker
39	4160267-01	Face plate cap (MODEL1122)

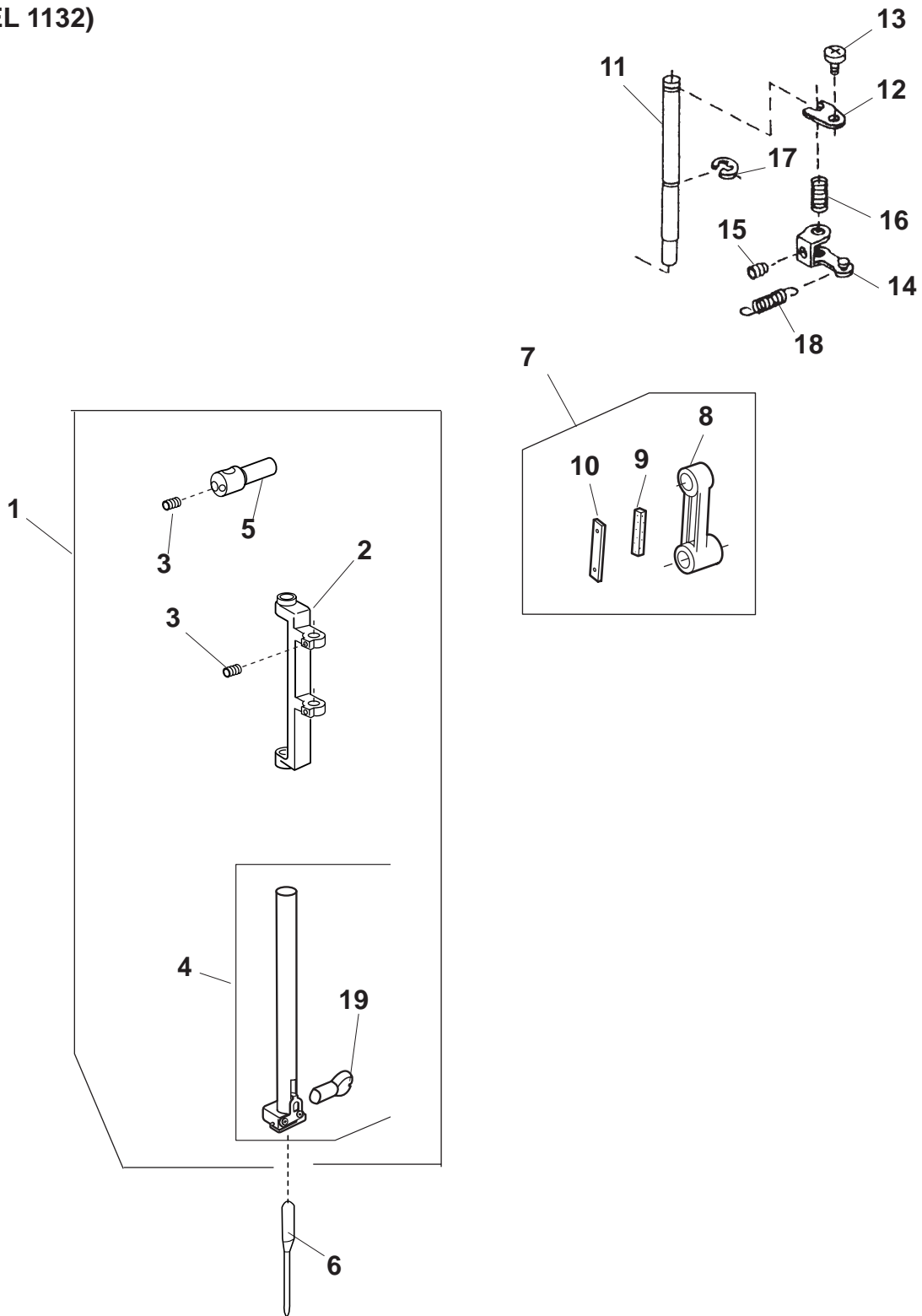
(MODEL 1142)



KEY NO.	PART NO.	DESCRIPTION	
1	4160401-01	Needle bar supporter unit	(MODEL 1142)
2	4160363-01	Needle bar supporter	
3	4160215-01	Hexagonal socket screw	
4	4160378-01	Needle bar unit	
5	4160375-01	Threader positioning plate unit	
6	4160347-01	Threader positioning plate	
7	4160364-01	Threader positioning base	
8	4160201-01	Flat screw	
9	4160218-01	Hexagonal socket screw	
10	4160367-01	Needle bar supporter	
11	4160448-01	Threader unit	
12	4160393-01	Threader frame	
13	4160447-01	Threader lever	
14	4160397-01	Threader spring	
15	4160400-01	Threader shaft unit	
16	4160396-01	Threader shaft	
17	4160177-01	Spring pin	
18	4160402-01	Threader plate unit	
19	4160394-01	Threader guard	
20	4160395-01	Threader plate	
21	4160449-01	Setscrew	
22	4160399-01	Plate nut	
23	4160223-01	Pin	
24	4801990482/ 000	Needle	
25	4160327-01	Needle bar crank rod unit	
26	4160311-01	Needle bar crank rod	
27	4160312-01	Felt	
28	4160313-01	Felt holder	
29	4160305-01	Needle bar supporter shaft	
30	4160306-01	Needle bar supporter shaft set plate	
31	4160203-01	Setscrew	
32	4160307-01	Zigzag width crank	
33	4160214-01	Hexagonal socket screw	
34	4160308-01	Needle bar supporter shaft spring	
35	4160173-01	Snap ring E-5	
36	4160309-01	Needle bar supporter spring	

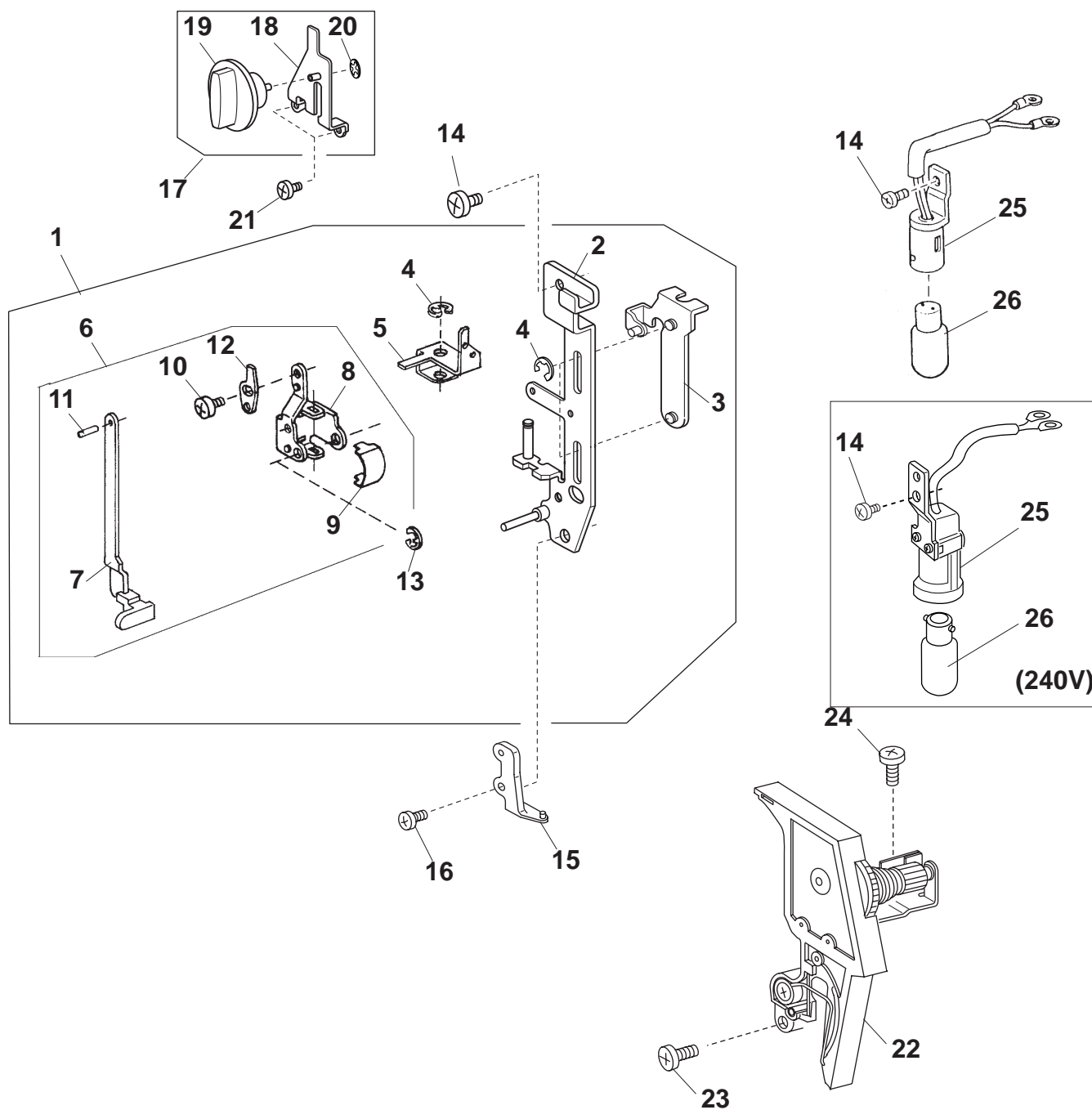
(MODEL 1122)

(MODEL 1132)



KEY NO.	PART NO.	DESCRIPTION	
			(MODEL 1132)
1	4160381-01	Needle bar supporter unit	(MODEL 1122)
2	4160310-01	Needle bar supporter	
3	4160215-01	Hexagonal socket screw	
4	4160378-01	Needle bar unit	
5	4160322-01	Needle bar	
6	4801990482000	Needle	
7	4160327-01	Needle bar crank rod unit	
8	4160311-01	Needle bar crank rod	
9	4160312-01	Felt	
10	4160313-01	Felt holder	
11	4160305-01	Needle bar supporter shaft	
12	4160306-01	Needle bar supporter shaft set plate	
13	4160203-01	Setscrew	
14	4160307-01	Zigzag width crank	
15	4160214-01	Hexagonal socket screw	
16	4160308-01	Needle bar supporter shaft spring	
17	4160173-01	Snap ring E-5	
18	4160309-01	Needle bar supporter spring	
19	4164303-01	Needle set screw	

(MODEL 1142)

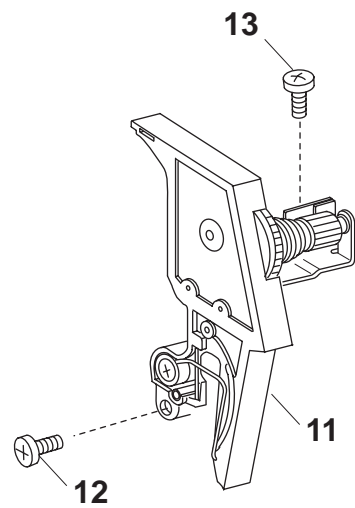
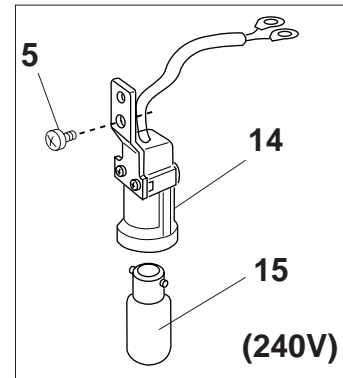
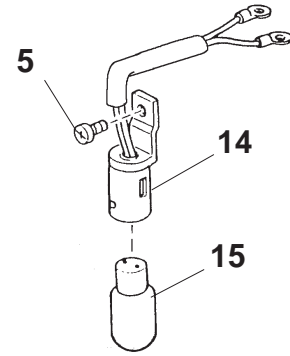
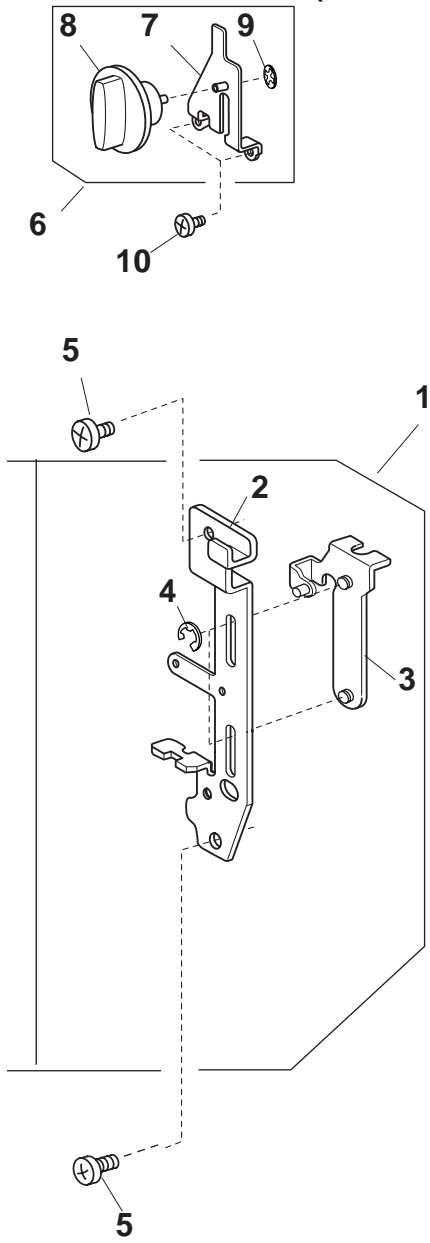


KEY NO.	PART NO.	DESCRIPTION	
1	4160276-01	Front bracket unit	(MODEL 1142)
2	4160245-01	Front bracket	
3	4160236-01	Presser adjusting plate	
4	4160174-01	Snap ring E-3	
5	4160366-01	Pull bar link	
6	4160379-01	Buttonhole lever unit	
7	4160376-01	Buttonhole lever unit	
8	4160384-01	Buttonhole lever supporter	
9	4160385-01	Friction spring	
10	4160334-01	Setscrew	
11	4160184-01	Spring pin	
12	4160386-01	Buttonhole lever adjusting plate	
13	4160172-01	Snap ring E-2.5	
14	4160197-01	Setscrew	
15	4160398-01	Threader guide	
16	4160207-01	Setscrew	
17	4160277-01	Pressure dial unit	
18	4160235-01	Dial set plate	
19	4160247-01	Pressure dial	
20	4160181-01	Snap ring CS-4	
21	4160211-01	Setscrew	
22	4160270-01	Tension regulator unit	
23	4160204-01	Setscrew	
24	4160203-01	Setscrew	
25	4160303-01	Lamp socket unit (120V)	
	4160356-01	Lamp socket unit (240V)	
26	4160179-01	Lamp 120V 15W	
	4160178-01	Lamp 240V 15W	

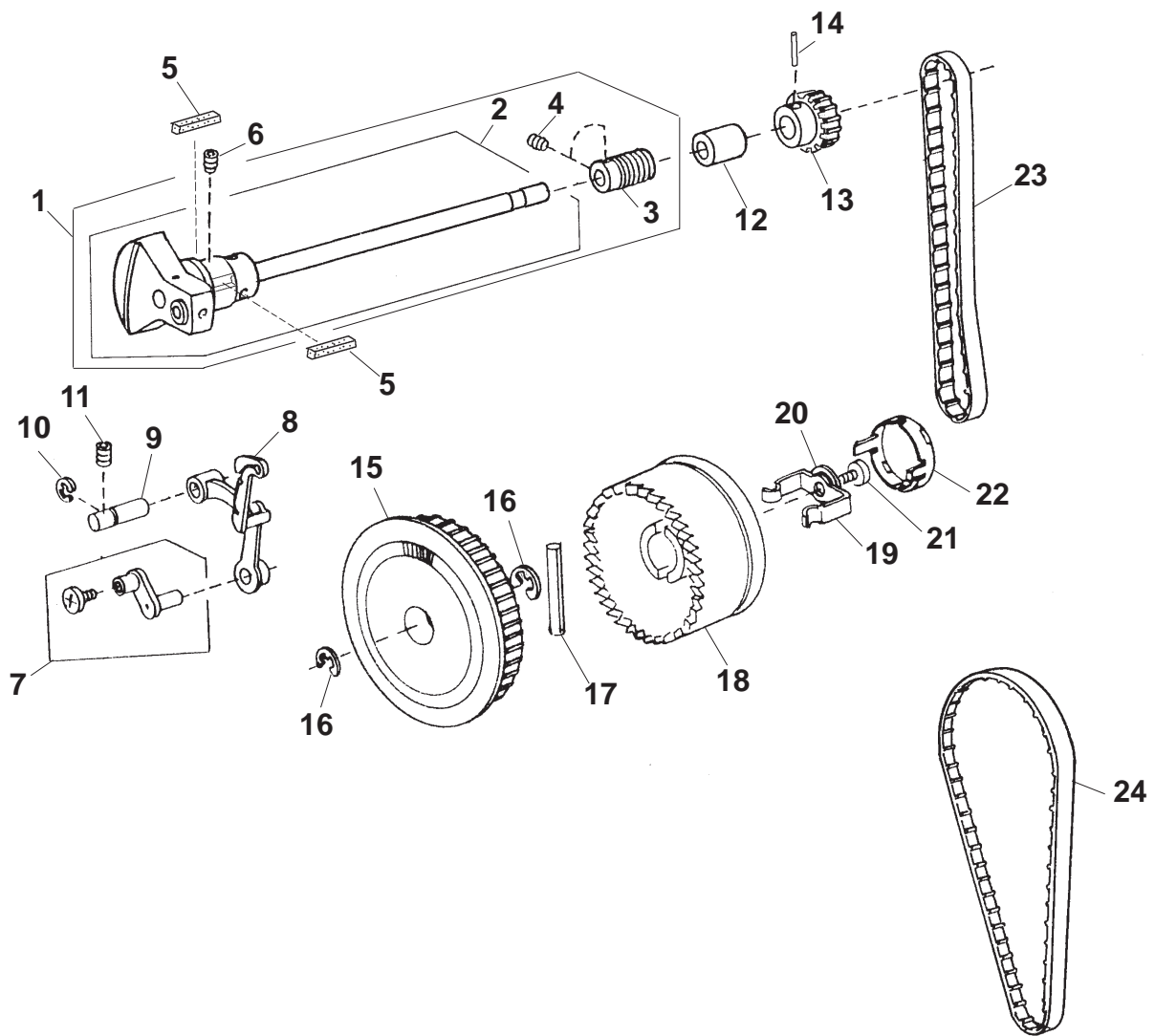
(MODEL 1132)

(MODEL 1122)

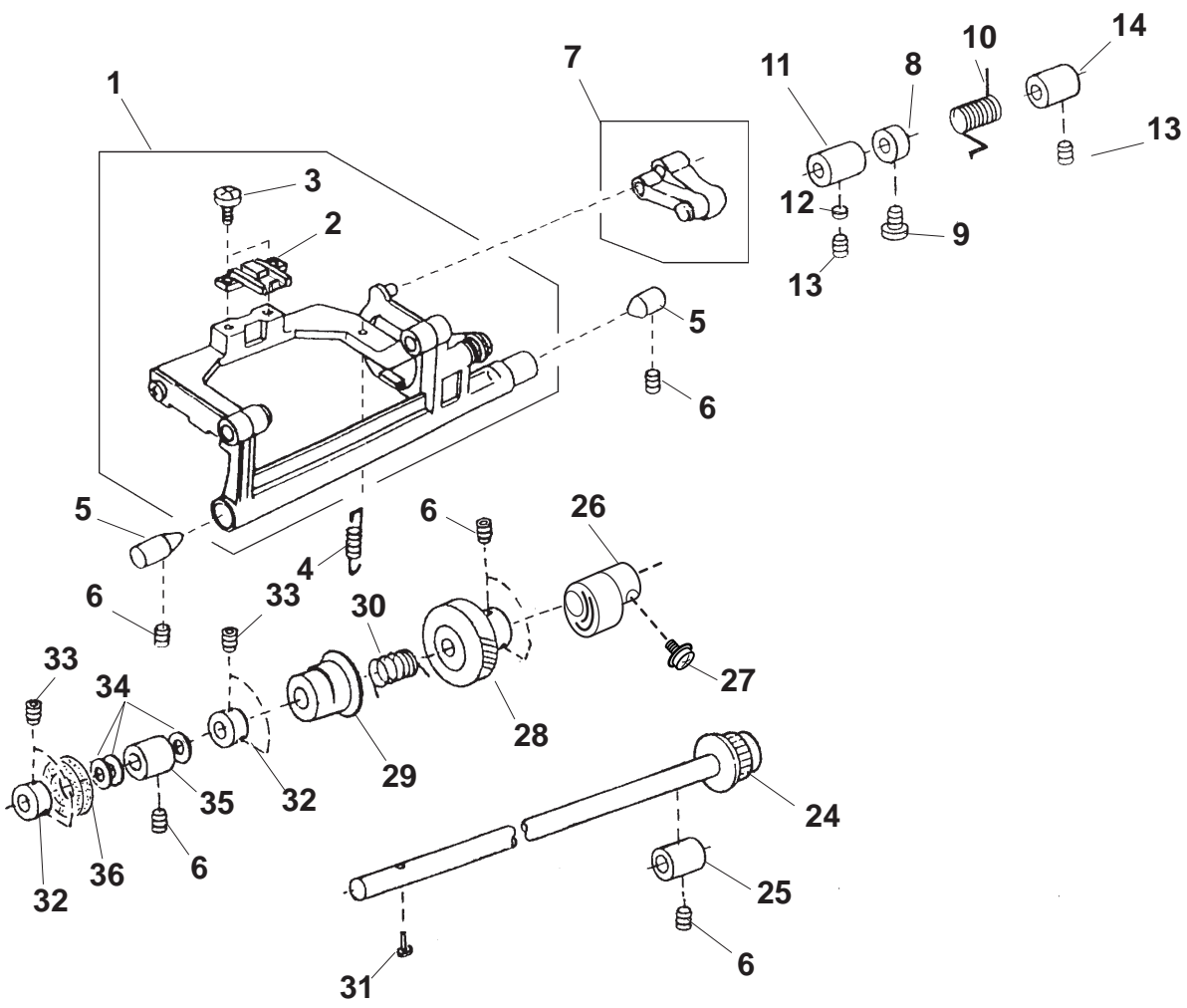
(MODEL 1132)



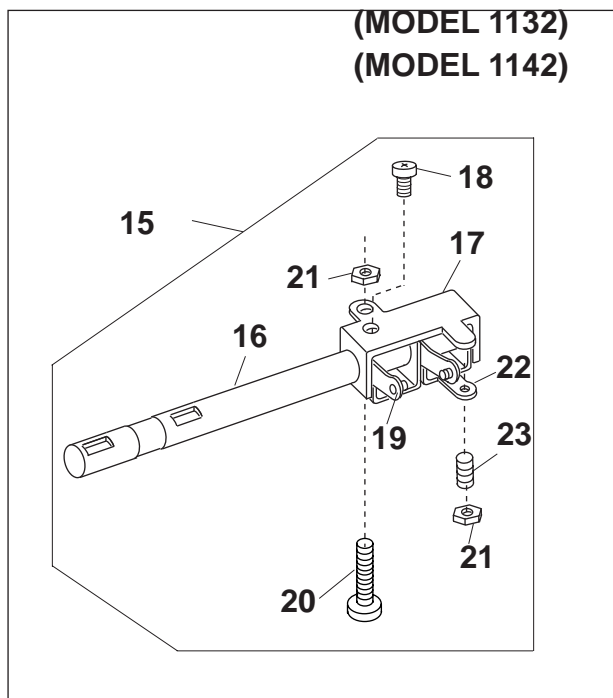
KEY NO.	PART NO.	DESCRIPTION	
1	4160287-01	Front bracket unit	(MODEL 1122)
2	4160246-01	Front bracket	
3	4160236-01	Pressure adjusting plate	(MODEL 1132)
4	4160174-01	Snap ring E-3	
5	4160197-01	Setscrew	
6	4160277-01	Pressure dial unit	
7	4160235-01	Pressure dial set plate	
8	4160247-01	Pressure dial	
9	4160181-01	Snap ring CS-4	
10	4160211-01	Setscrew	
11	4160270-01	Tension regulator unit	
12	4160204-01	Setscrew	
13	4160203-01	Setscrew	
14	4160303-01	Lamp socket unit (120V)	
	4160356-01	Lamp socket unit (240V)	
15	4160179-01	Lamp 120V 15W	
	4160178-01	Lamp 240V 15W	



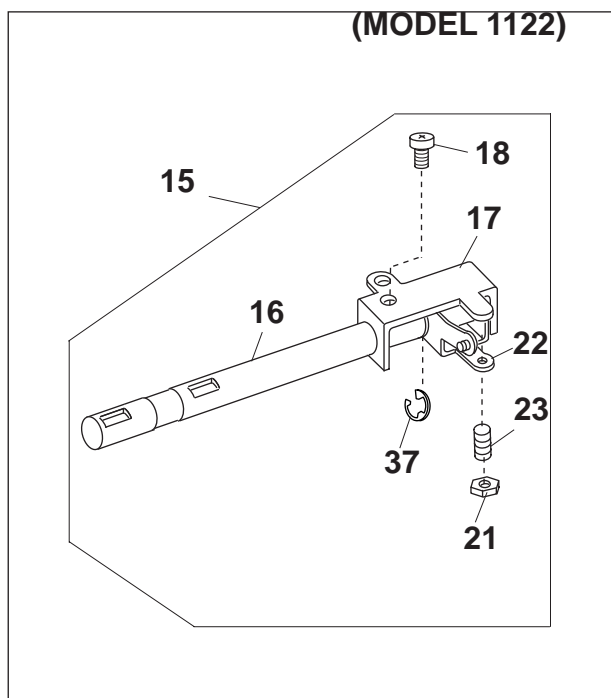
KEY NO.	PART NO.	DESCRIPTION
1	4160406-01	Upper shaft unit
2	4160405-01	Upper shaft unit
3	4160260-01	Worm
4	4160215-01	Hexagonal socket screw
5	4160346-01	Felt
6	4160216-01	Hexagonal socket screw
7	4160336-01	Needle bar crank pin unit
8	4160419-01	Thread take-up lever unit
9	4160314-01	Thread take-up lever shaft
10	4160176-01	Snap ring E-6
11	4160214-01	Hexagonal socket screw
12	4160341-01	Upper shaft rear bushing
13	4160403-01	Upper shaft timing gear
14	4160183-01	Spring pin
15	4160404-01	Belt wheel
16	4160186-01	Snap ring E-8
17	4160185-01	Spring pin
18	4160357-01	Handwheel
19	4160300-01	Clutch spring
20	4160195-01	Plain washer 4
21	4160197-01	Setscrew
22	4160358-01	Handwheel cap
23	4160315-01	Timing belt
24	4160338-01	Timing belt



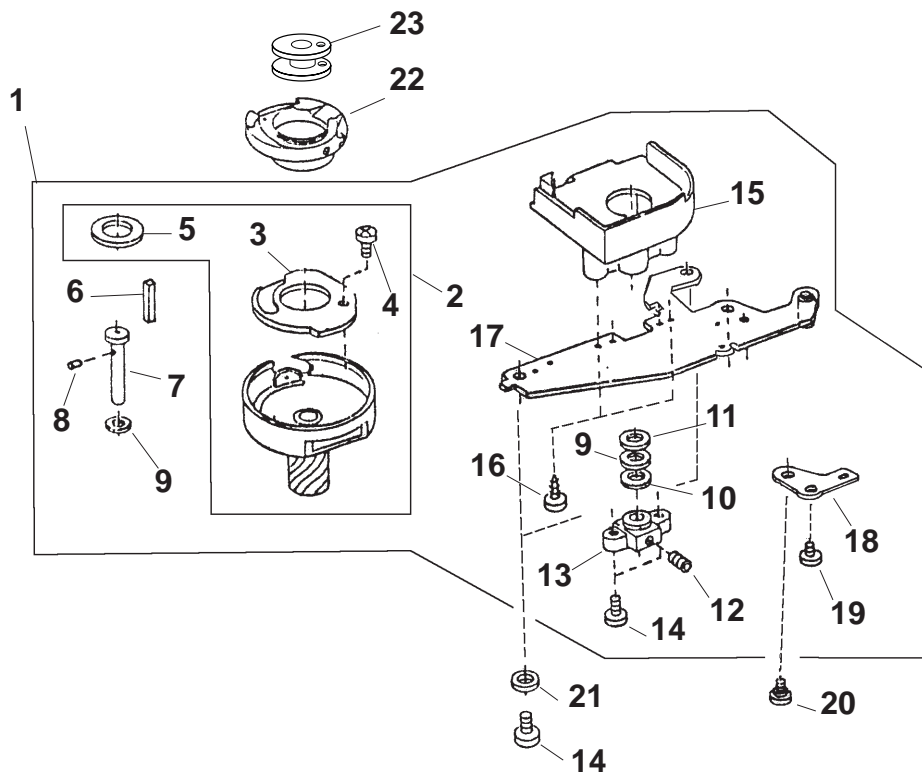
(MODEL 1132)
(MODEL 1142)



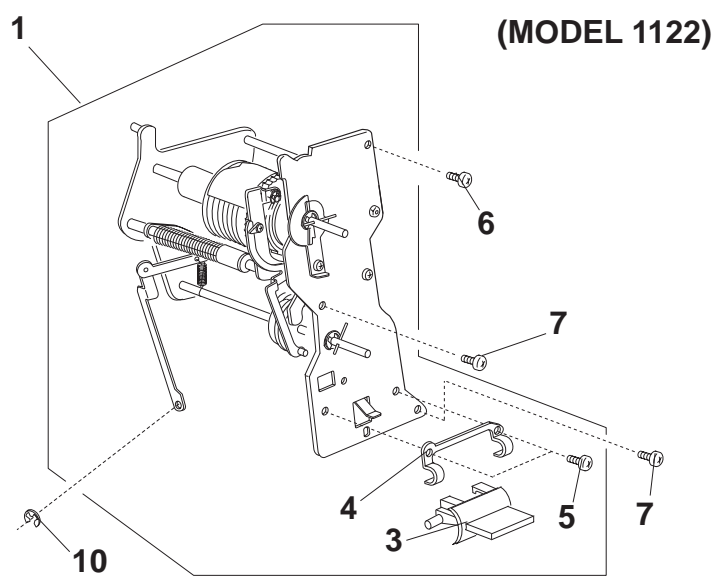
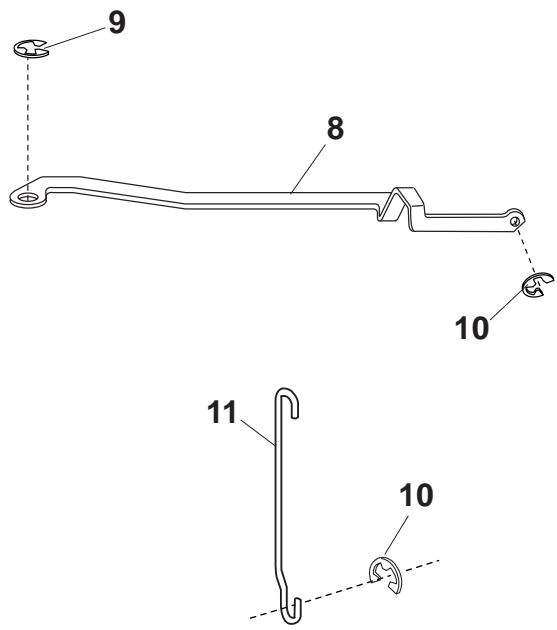
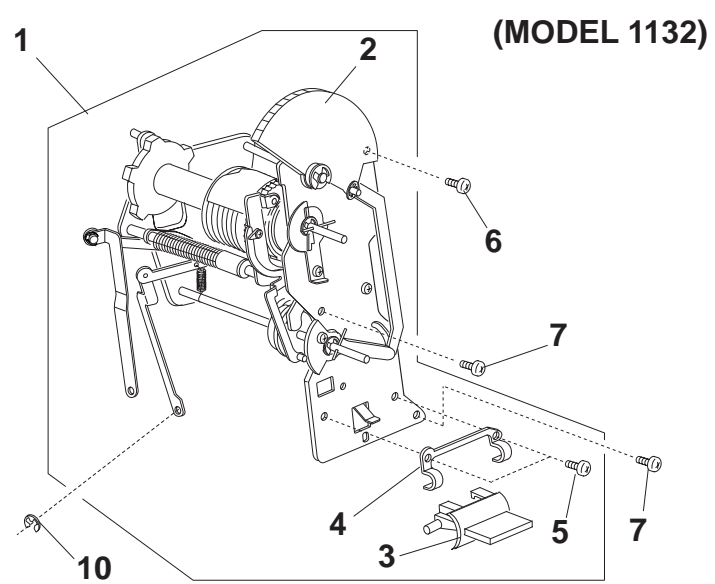
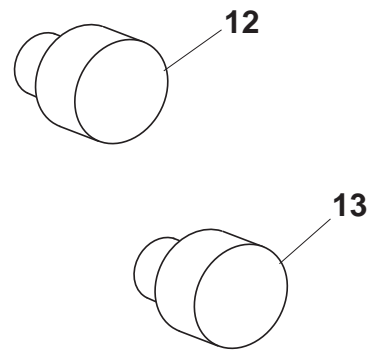
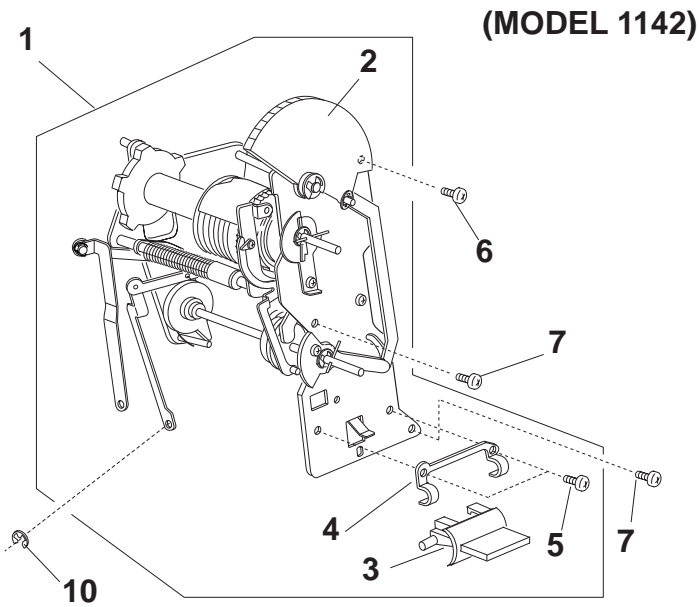
(MODEL 1122)



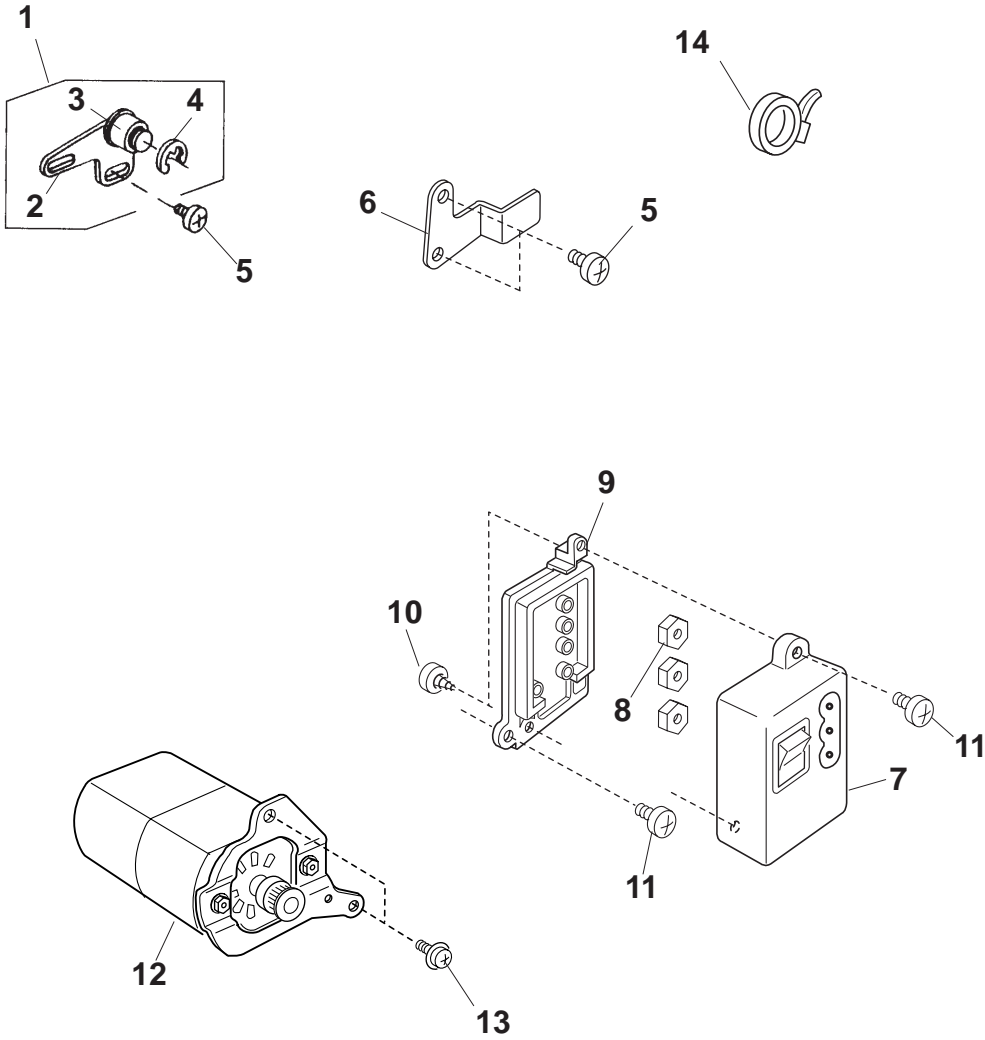
KEY NO.	PART NO.	DESCRIPTION
1	4160380-01	Feed rock shaft unit
2	4160339-01	Feed dog
3	4160209-01	Setscrew
4	4160319-01	Spring
5	4160353-01	Straight pin
6	4160216-01	Hexagonal socket screw
7	4160328-01	Feed regulator unit
8	4160417-01	Ring
9	4160197-01	Setscrew
10	4160371-01	Regulator spring
11	4160294-01	Feed shaft bushing (Front)
12	4160325-01	Cushion
13	4160214-01	Hexagonal socket screw
14	4160320-01	Feed shaft bushing (Rear)
15	4160278-01	Feed regulator plate unit (MODEL1142)
	4160279-01	Feed regulator plate unit (MODEL1132)
	4160286-01	Feed regulator plate unit (MODEL1122)
16	4160260-01	Feed shaft (MODEL1142 and1132)
	4160268-01	Feed shaft (MODEL1122)
17	4160248-01	Feed shaft plate
18	4160199-01	Setscrew
19	4160263-01	SS adjusting plate (MODEL1142)
	4160264-01	SS adjusting plat (MODEL1132)
20	4160196-01	Setscrew
21	4160224-01	Adjustable lock nut 4
22	4160262-01	Feed adjusting plate
23	4160227-01	Hexagonal socket screw
24	4160377-01	Lower shaft unit
25	4160318-01	Lower shaft bushing (Rear)
26	4160370-01	Feed cam
27	4160219-01	TP screw
28	4160316-01	Lower shaft gear
29	4160390-01	Feed lifting cam
30	4160344-01	Feed lifting cam spring
31	4160414-01	Feed lifting cam pin
32	4160415-01	Lower shaft ring
33	4160215-01	Hexagonal socket screw
34	4160188-01	Thrust washer
35	4160317-01	Lower shaft bushing (Front)
36	4160352-01	Felt
37	4160173-01	Snap ring E-5 (MODEL1122)



KEY NO.	PART NO.	DESCRIPTION
1	4160443-01	Hook unit
2	4160337-01	Hook race unit
3	4160297-01	Hook race bottom plate
4	4160416-01	Setscrew
5	4160296-01	Hook race magnet
6	4160411-01	Hook driver shaft
7	4160412-01	Hook shaft oil felt
8	4160413-01	Hook shaft oil felt
9	4160187-01	Thrust washer
10	4160293-01	Plain washer
11	4160298-01	Washer
12	4160216-01	Hexagonal socket screw
13	4160321-01	Hook shaft base
14	4160197-01	Setscrew
15	4160440-01	Hook gear cover
16	4160212-01	Setscrew
17	4160427-01	Hook base plate
18	4160323-01	Positioning plate
19	4160203-01	Setscrew
20	4160324-01	Hinge screw
21	4160194-01	Plain washer
22	4160299-01	Bobbin holder unit
23	4160233-01	Bobbin

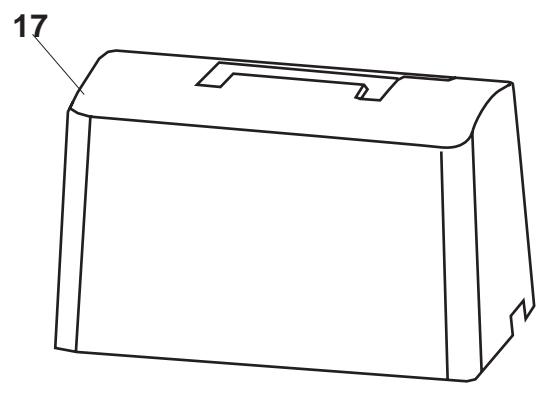
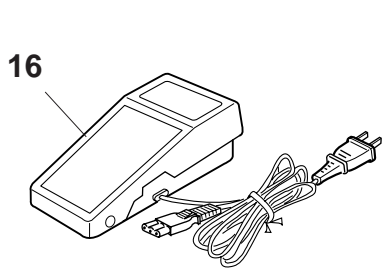
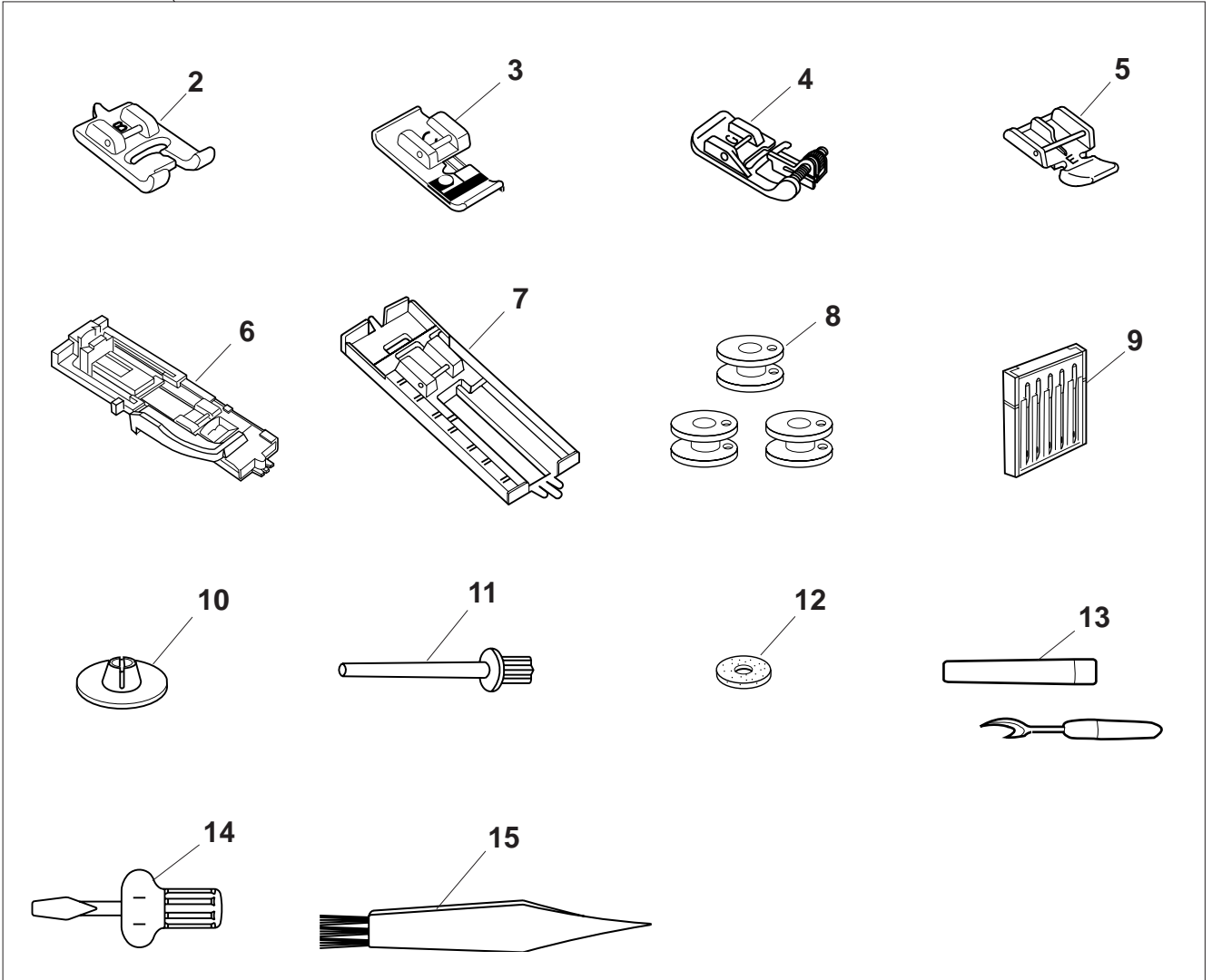


KEY NO.	PART NO.	DESCRIPTION
1	4160280-01	Cam block unit (MODEL1142)
	4160284-01	Cam block unit (MODEL1132)
	4160285-01	Cam block unit (MODEL1122)
2	4160249-01	Stitchwidth dial (MODEL1142 and 1132)
3	4160250-01	R lever
4	4160251-01	R lever hinge
5	4160334-01	Setscrew
6	4160204-01	Setscrew
7	4160197-01	Setscrew
8	4160265-01	Zigzag width rod
9	4160175-01	Snap ring E-4
10	4160174-01	Snap ring E-3
11	4160252-01	BH converter rod (MODEL1142)
12	4160253-01	Pattern selector dial (MODEL1142)
	4160256-01	Pattern selector dial (MODEL1132)
	4160257-01	Pattern selector dial (MODEL1122)
13	4160254-01	Stitch length dial (MODEL1142)
	4160255-01	Stitch length dial (MODEL1132)
	4160258-01	Stitch length dial (MODEL1122)



KEY NO.	PART NO.	DESCRIPTION
1	4160391-01	Idler unit
2	4160387-01	Idler base
3	625217100	Idler
4	4160176-01	Snap ring E-6
5	4160197-01	Setscrew
6	4160266-01	Machine socket bracket
7	4160355-01	Machine socket unit (120 V)
	4160354-01	Machine socket unit (220-240V)
8	4160190-01	Hexagonal nut 3-1-5.5
9	4160237-01	Machine socket lid
10	4160213-01	Setscrew
11	4160207-01	Setscrew
12	4160407-01	Motor unit (120 V)
	4160408-01	Motor unit (230 V)
	4160382-01	Motor unit (for Australia)
13	4160220-01	TP Screw
14	4160189-01	Cord binder

1



KEY NO.	PART NO.	DESCRIPTION
1	4160289-01	Accessory set (MODEL1142)
	4160290-01	Accessory set (MODEL1132)
	4160291-01	Accessory set (MODEL1122)
2	4160420-01	Buttonhole foot (MODEL1142 and 1132)
3	4160426-01	Overcasting foot (MODEL1142)
4	4160421-01	Blind stitch foot
5	4160444-01	Zipper foot
6	4160392-01	Buttonhole foot (MODEL1142)
7	4160432-01	Buttonhole foot (MODEL1132 and 1122)
8	4160233-01	Bobbin
9	4801990482000	Needle set
10	4160424-01	Spool holder (Small)
11	4160292-01	Extra spool pin
12	4160234-01	Felt
13	4160304-01	Seam ripper
14	4160422-01	Screwdriver
15	4160409-01	Lint brush
16	4160450-01	Foot control (120 V)
	4160452-01	Foot control (230 V)
	4126807-01	Foot Control (for England)
	4160451-01	Foot control (for Australia)
17	4163164-01	Hard cover - Pfaff Hobby 1122,32,42

PFAFF

Technische Änderungen vorbehalten
Subject to alterations in design
Sous toute réserve de modifications
techniques
Salvo modificaciones técnicas
Con riserva di modifiche tecniche
Nr. 104 22 54-96