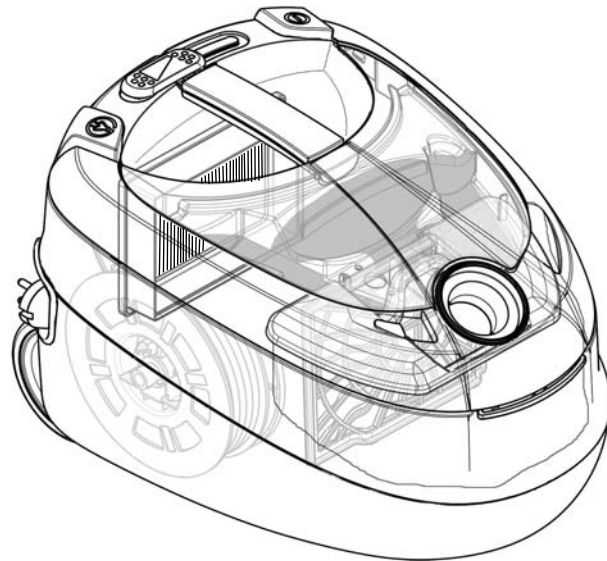


07-02	NILFISK POWER - SPARE PARTS LIST	<b>BOOK A</b>		
	SERVICE KIT / SPARE PARTS - TABLE OF CONTENTS	A	1.6.1	1



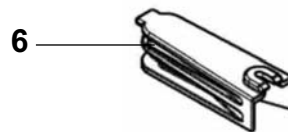
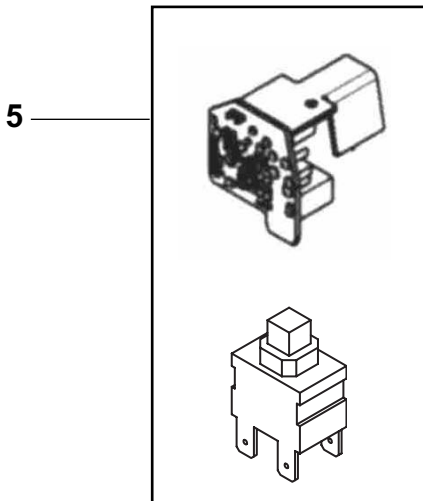
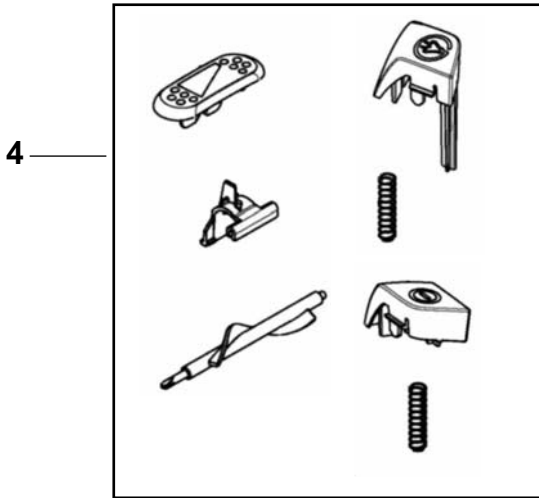
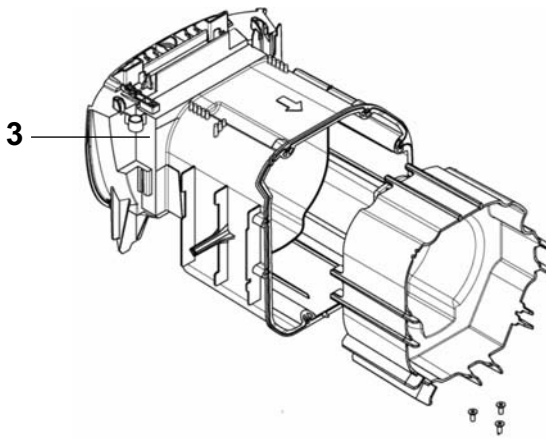
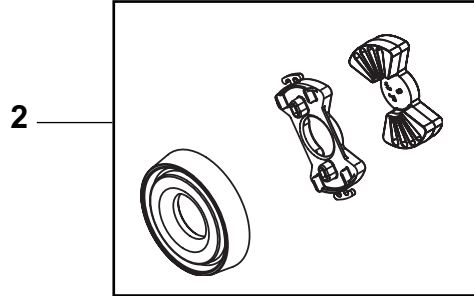
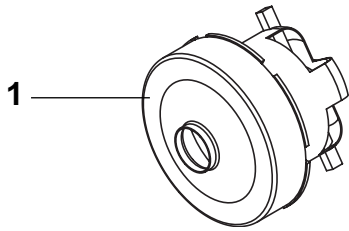
<b>DESCRIPTION</b>	<b>PLAN</b>
Motors, on/off switches, wires and PCBs	A - 1.6.1 - 2
Cord sets	A - 1.6.1 - 4
Body and body parts	A - 1.6.1 - 6
Dust bags and filters	A - 1.6.1 - 8
Hose and tube	A - 1.6.1 - 10
Nozzles	A - 1.6.1 - 12

**2**

**1.6.1**

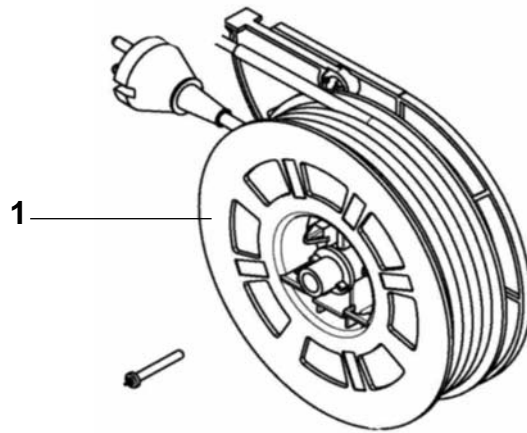
**A**


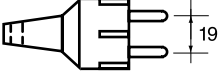


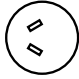
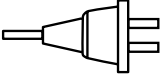
**MOTORS, ON/OFF SWITCHES, AND PCB**

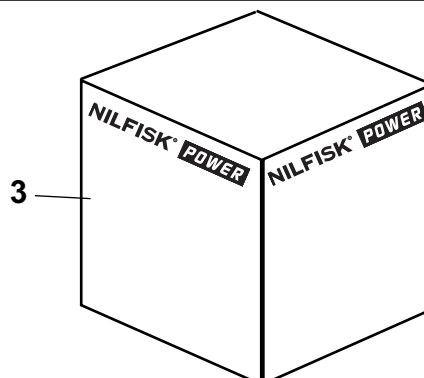
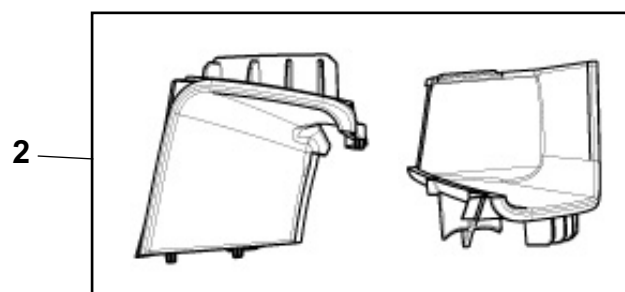


05-12	<b>NILFISK POWER - SPARE PARTS LIST</b>	<b>BOOK A</b>		
	<b>MOTORS, ON/OFF SWITCHES, AND PCB</b>	<b>A</b>	<b>1.6.1</b>	<b>3</b>

<b>Item</b>	<b>Part No.</b>	<b>Qty.</b>	<b>Description</b>	<b>Note</b>	<b>EAN code</b>
1	147 0427 500	1	Motor, medium and premium	220-240 V, 1600 W	7319519656343
2	147 0560 500	1	Motor suspension		7319519647846
3	147 0467 500	1	Motor module		7319519656459
4	147 0403 500	1	Button kit	On/off button, power regu- lation, cord rewind button	7319519656374
5	147 0414 500	1	PCB and on/off switch kit	Internal wires included.	7319519656466
6	147 0208 500	1	Parking plate		7319519647822



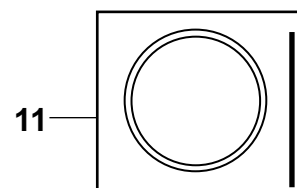
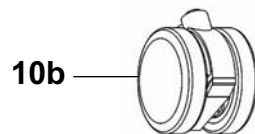
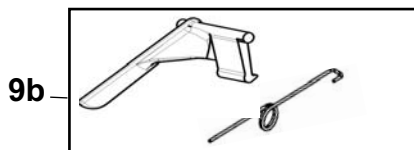
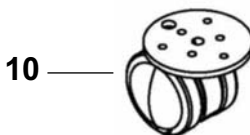
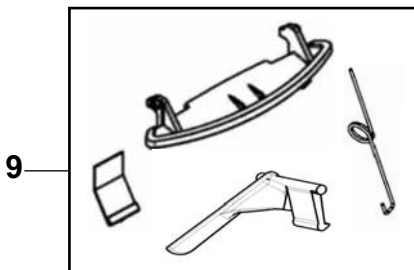
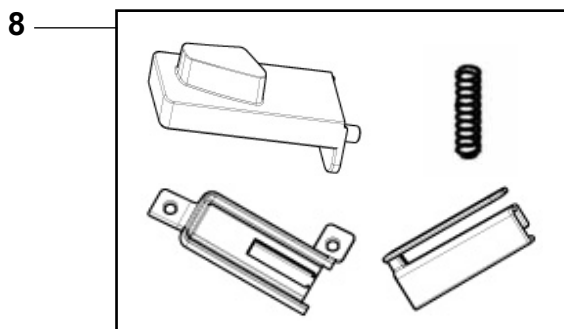
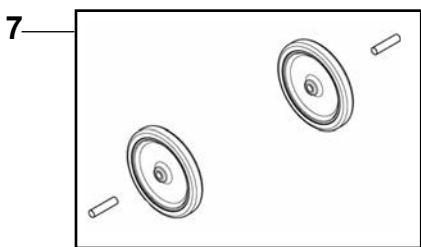
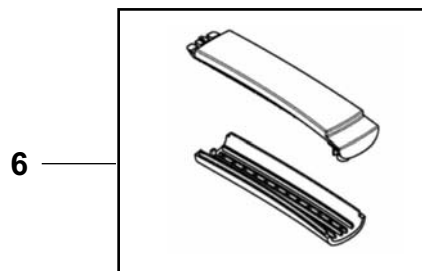
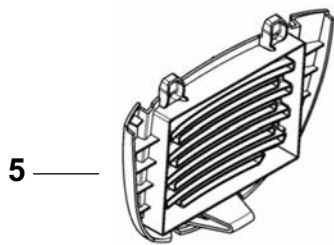
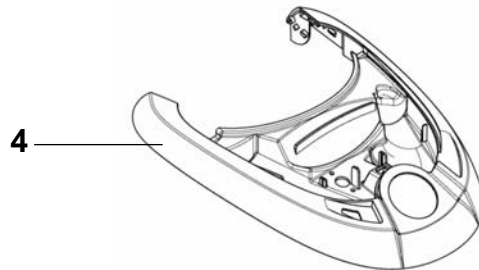
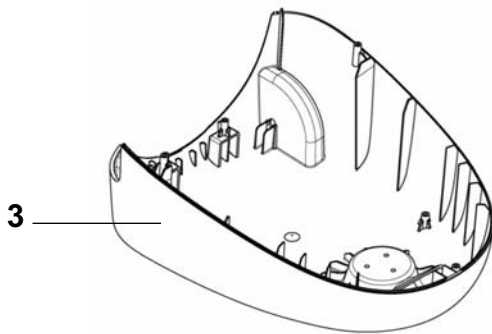
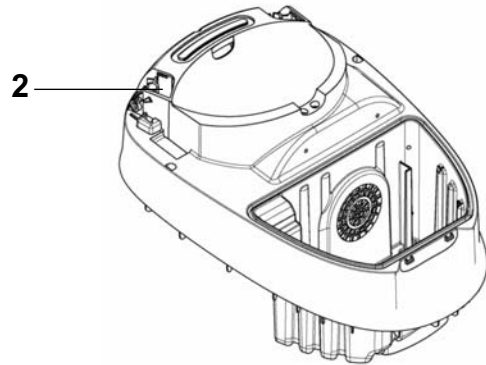
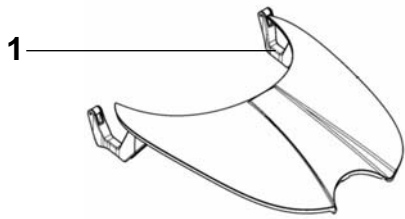
Cord with plug/socket for bracket			
	Voltage	Plug type	
<b>EU</b>	220-240		
<b>UK</b>	220-240		
<b>AUS/NZ</b>	220-240		



05-12	<b>NILFISK POWER - SPARE PARTS LIST</b>	<b>BOOK A</b>		
06-07	<b>CORD SETS</b>	<b>A</b>	<b>1.6.1</b>	<b>5</b>

<b>Item</b>	<b>Part No.</b>	<b>Qty.</b>	<b>Description</b>	<b>Note</b>	<b>EAN code</b>
1	147 0435 500	1	Cable re-winder 8 m	EU	7319519656428
1	147 0435 510	1	Cable re-winder 8 m	UK	7319519656435
1	147 0435 520	1	Cable re-winder 8 m	AUS/NZ	7319519656442
2	147 0437 500		Cable outlet	Upper and lower outlet.	7319519656411
3	>>147 1150 000	1	Box, Power	Card-board box, for the machine	7319519659641

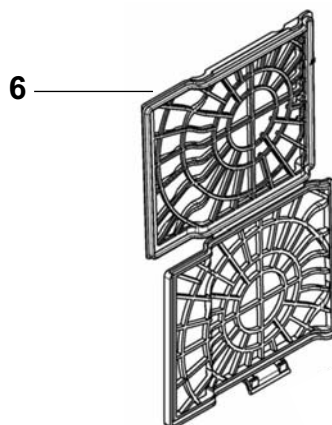
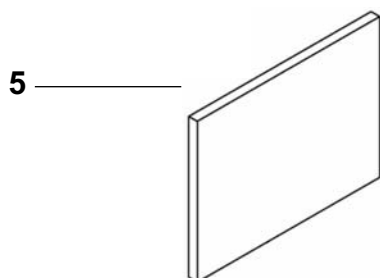
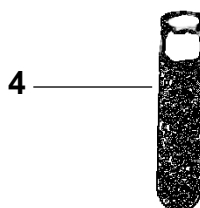
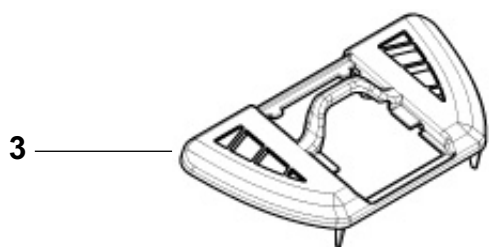
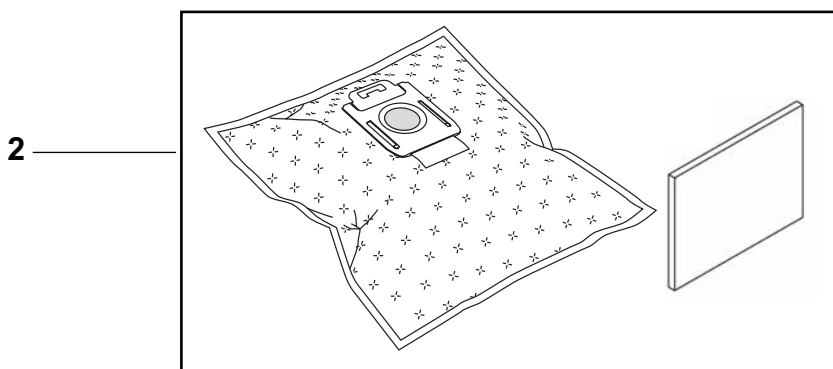
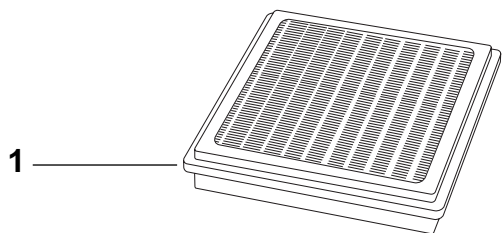
>> Means: New or changed ref. number or/and changed/new specifications.



<b>06-10</b>	<b>NILFISK POWER - SPARE PARTS LIST</b>	<b>BOOK A</b>		
<b>07-02</b>	<b>BODY AND BODY PARTS</b>	<b>A</b>	<b>1.6.1</b>	<b>7</b>

<b>Item</b>	<b>Part No.</b>	<b>Qty.</b>	<b>Description</b>	<b>Note</b>	<b>EAN code</b>
1	147 0402 500	1	Lid accessorie		7319519656404
2	147 0412 500	1	Main body outer P 10, red		7319519656282
2	147 0412 540	1	Main body outer P 20, silver metallic		7319519656589
2	147 0412 560	1	Main body outer P 40, blue metallic		7319519656305
2	>>147 0412 570	1	Main body outer ALLERGY, green metallic		7319519661866
3	147 0436 500	1	Body base, black		7319519656312
4	147 0485 500	1	Dust lid P 10, red		7319519656244
4	147 0485 520	1	Dust lid P 20, silver metallic		7319519656251
4	147 0485 530	1	Dust lid P 40, blue metallic		7319519656275
4	>>147 0485 540	1	Dust lid ALLERGY, green metallic		7319519661880
5	147 0450 500	1	HEPA lid, black		7319519656398
6	147 0401 500	1	Handle kit,		7319519656381
7	147 0242 500	2	Wheel, rear kit	2 Rear wheels and 2 shafts.	7319519647594
8	147 0476 500	1	Dust indicator		7319519656367
9	147 0407 500	1	Latch	Spring, lid stop, included.	7319519656480
9b	>>147 0470 500	1	Lid outer stop	Lid stop	7319519660166
10	147 1040 500	1	Link wheel	With axle	7319519656329
10b	>>147 1040 510	1	Link wheel	Without axle	7319519660111
11	147 0413 500	1	Sealing kit	Dust chamber/ motor module gasket.	7319519656473

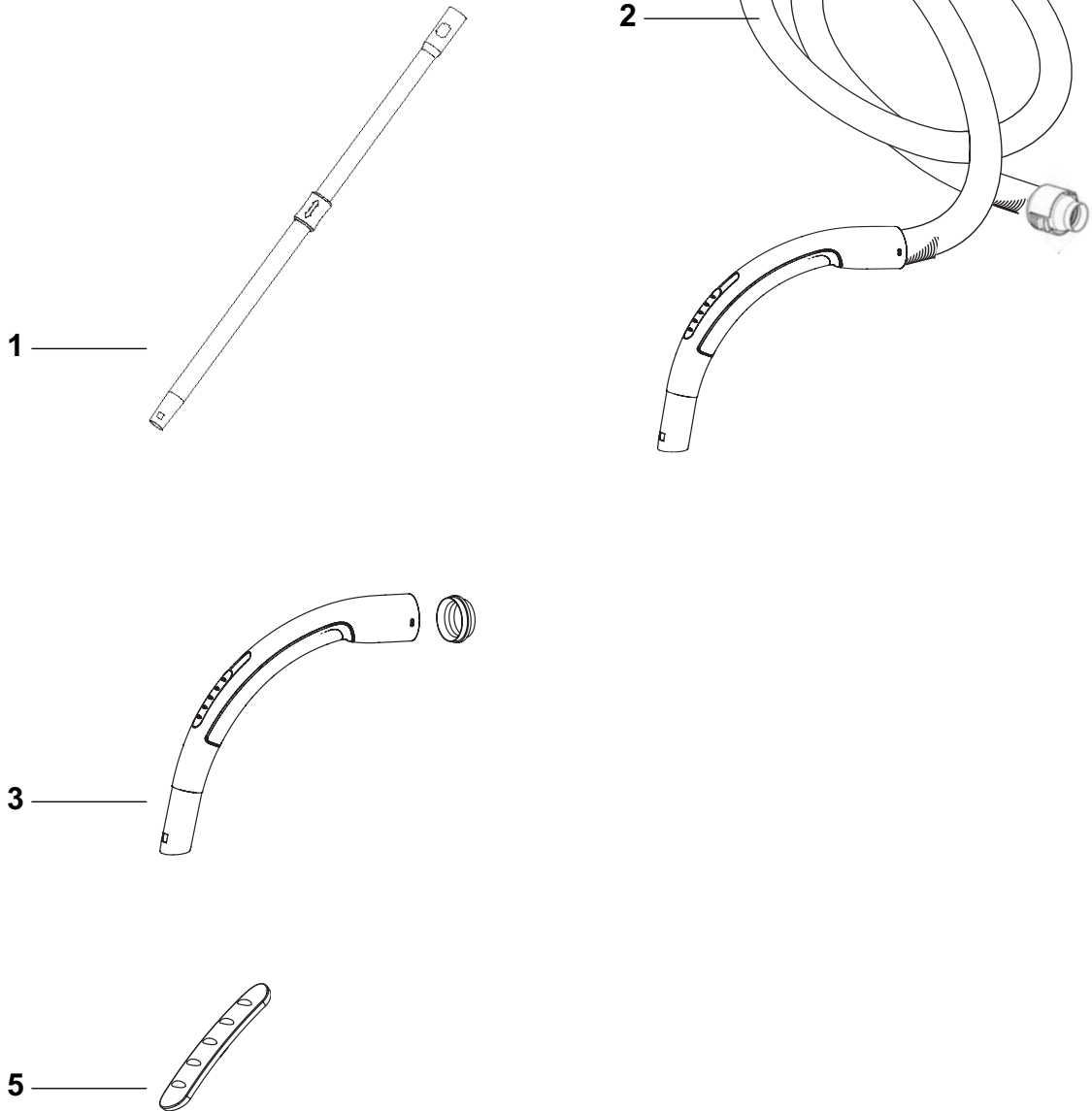
>> Means: New or changed ref. number or/and changed/new specifications.





05-12	NILFISK POWER - SPARE PARTS LIST	<b>BOOK A</b>		
07-02	DUST BAGS AND FILTERS	A	1.6.1	9

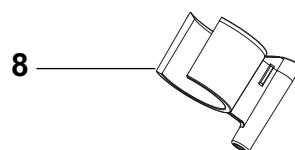
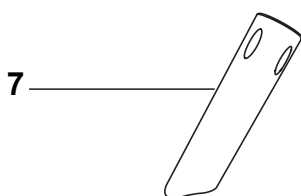
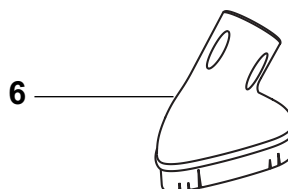
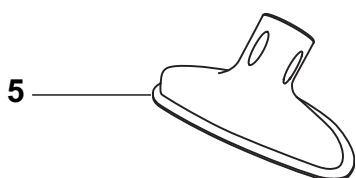
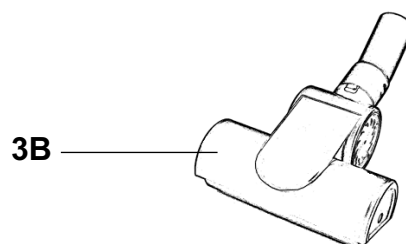
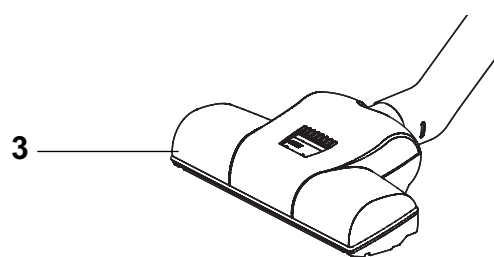
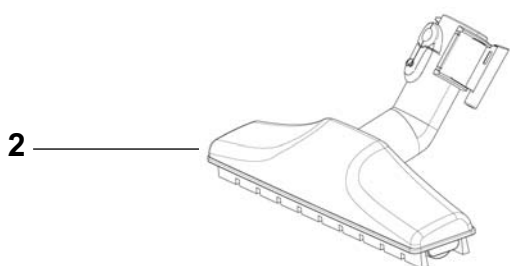
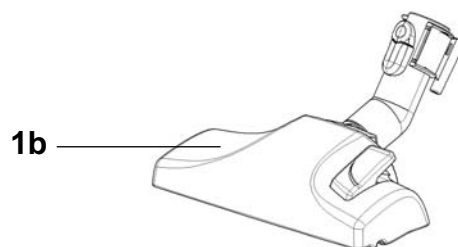
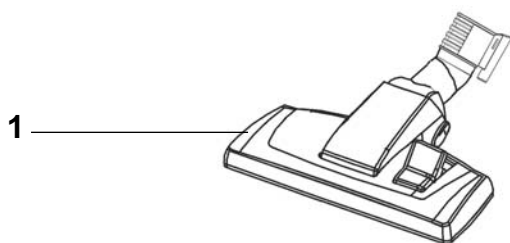
Item	Part No.	Qty.	Description	Note	EAN code
1	147 0432 500	1	Hepa filter H12 cpl.	141x132 mm	7319519656091
1	147 0433 500	1	Hepa filter H10 cpl.	141x132 mm	7319519656114
1	>>147 1250 500	1	Hepa filter H13 cpl.	141x132 mm	7319519661804
2	147 0416 500	4	Dust bags and pre-filter	4 bags plus, 1 pre-filter.	7319519656220
3	147 0417 500	1	Dust bag holder		7319519654523
4	22340000	1	NILFISK Deodorant (1 pcs)	With the smell of lime.	5715492028627
5	147 0418 500	3	Pre-filter	3 pcs. of filters.	7319519656237
6	147 0419 500	1	Pre-filter holder		7319519656336



06-02	NILFISK POWER - SPARE PARTS LIST	<b>BOOK A</b>		
06-07	HOSE AND TUBE	A	1.6.1	11

Item	Part No.	Qty.	Description	Note	EAN code
1	>>147 0483 500	1	Telescopic tube	D 32 mm Crome	7319519653090
2	147 0462 500	1	Hose with coupling	D 32/38 mm, L 2000 mm	7319519656596
2	>>147 0462 510	1	Hose cpl. w bend tube	D32/38	7319519659405
3	147 0243 500	1	Bent end	D 32 mm	7319519647853
3	>>147 0243 520	1	Bent end	D 32 mm	7319519659146
5	147 0152 500	1	Valve, for bent end	5 pcs	7319519647860

>> Means: New or changed ref. number or/and changed/new specifications.



07-02	NILFISK POWER - SPARE PARTS LIST	<b>BOOK A</b>		
06-01	NOZZLES	A	1.6.1	13

Item	Part No.	Qty.	Description	Note	EAN code
1	140 8492 520	1	Combi nozzle RD 295	D 32 mm. Black.	7319519636673
1b	>>147 1009 500	1	Combi nozzle Basic	D 32 mm	7319519656190
2	>>147 1068 500	1	Hard floor nozzle M300	D 32 mm Black.	7319519657821
3	22360000	1	Turbo nozzle	D 32 mm, W 300 mm. Black.	7319519648072
3B	>>147 1224 500	1	Turbo nozzle, mini		7319519661798
5	147 0299 500	1	Upholstery nozzle	D 32 mm, W 142 mm. Black.	7319519647365
6	147 0477 500	1	Triangular brush nozzle	D 32 mm. Black.	7319519656213
7	147 0146 500	1	Crevice nozzle	D 32 mm, L 153 mm. Black.	7319519647358
8	12018201	1	Parking clip	Clip for combi nozzle and turbo nozzle. Black.	5715492028627

>> Means: New or changed ref. number or/and changed/new specifications.