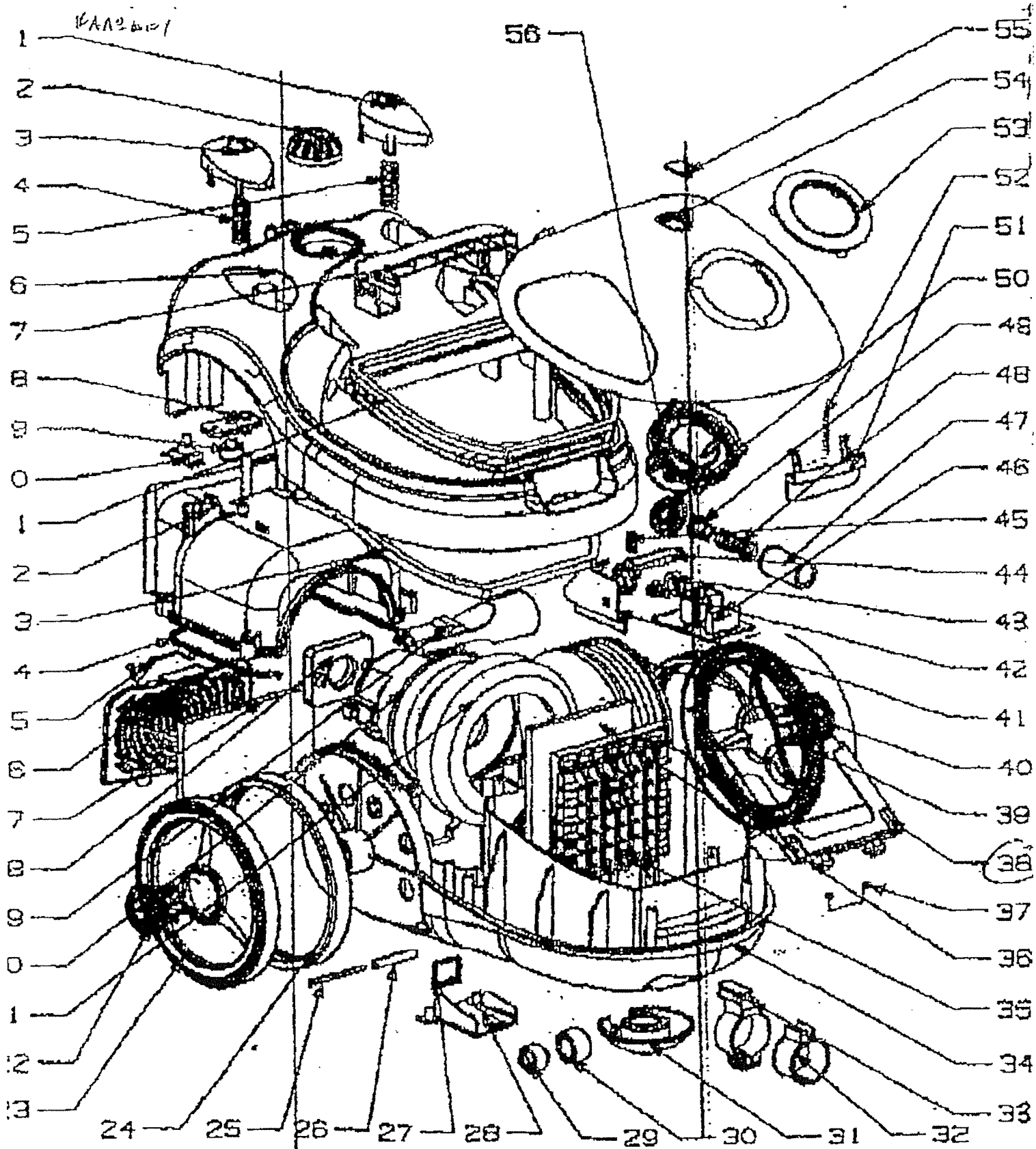


vc sport



EXPLODING DRAWING OF VACUUM CLEANER

NO.	NAME
01	CORD REWINDER BUTTON
02	KNOB (FOR BODY SPEED CONTROL)
03	SWITCH BUTTON
04	SPRING OF BUTTON
05	SPRING OF CORD REWINDER BUTTON
06	MIDDLE FRAME
07	HANDLE
08	FIX PLATE OF RESISTANCE
09	RESISTANCE
10	SWITCH
11	MIDDLE HOUSE TOP SEAL RING
12	MOTOR COVER
13	SEAL RING OF MIDDLE FRAME
14	SEAL RING OF MOTOR COVER
15	OUTLET GRILL SPRING
16	OUTLET GRILL
17	OUTLET FILTER
18	FIX RING OF MOTOR
19	INTEGRATE BRUSH NOZZLE
20	MOTOR
21	SEAL RING OF MOTOR
22	BIG WHEEL COVER
23	BIG WHEEL
24	RING OF BIG WHEEL
25	CORD OUTLET SHAFT
26	CORD OUTLEFT SHAFT COVER
27	CORD OUTLEFT RING
28	CORD OUTLEFT BOARD
29	FRONT WHEEL
30	FRONT WHEEL COVER
31	FRONT WHEEL HOLDER
32	HOOK RING
33	HOOK
34	BODY
35	INLET FILTER SPONGE HOLDER
36	INLET FILTER SPONGE
37	DUST BAG HOLDER SPRING
38	DUST BAG HOLDER
39	DUST BAG .
40	ASSY OF CORD REWINDER
41	CORD REWINDER HOLDER

42	PULLEY SHAFT
43	PULLEY
44	PULLEY HOLDER
45	PULLEY SPRING
46	PCB
47	AIR FLOW INDICATOR TUBE
48	SPRING OF AIR FLOW INDICATOR TUBE
49	BUOY
50	COVER OF FULL DUST
51	FRONT COVER CLIP
52	SPRING OF FRONT COVER CLIP
53	SUCTION BLOCK RING
54	FRONT COVER
55	AIR FLOW INDICATOR BOARD
56	SUCTION BLOCK

